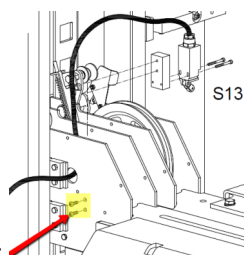


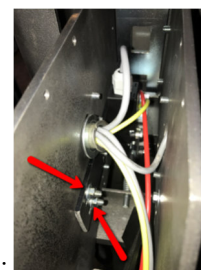
Installation instructions for **715317 Ratchet engaged kit for Wheel free**
BRADBURY WHEEL-FREE H4441 / H4443 / H4541 / H4543



1. Remove the installed S13 switch with attached wire: S13 is placed inside the wheel-free cross beams front right side.
2. Install each the four switches from kit 715317 on the metal bracket (474626): with two washers (214835) on each screw (259609).



3. Use the same holes from the removed S13-switch to install the metal bracket (474626) with switch.



Install with two screw M6x20 (259642), two washer (214620) and two nuts (240308):
 Adjust the switch to the point where the contact arm is not activated when ratchet is fully engaged in the ratchet rail. Install a switch in each of the other tree columns.

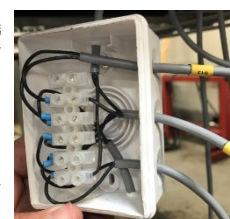
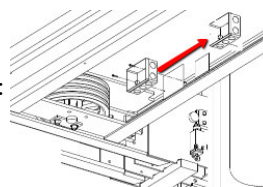
4. Cables are installed in the column. The front cables go to the control post and through the armored hose into the platform.



On the rear right column top are cables striped outside the cable tube:

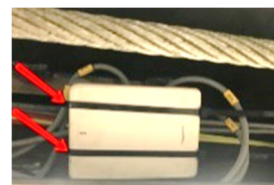
5. Use the assemble connection box from kit 715317.

Install the cable between the two assemble connection boxes:
 according the electrical diagram shown on the next pages.

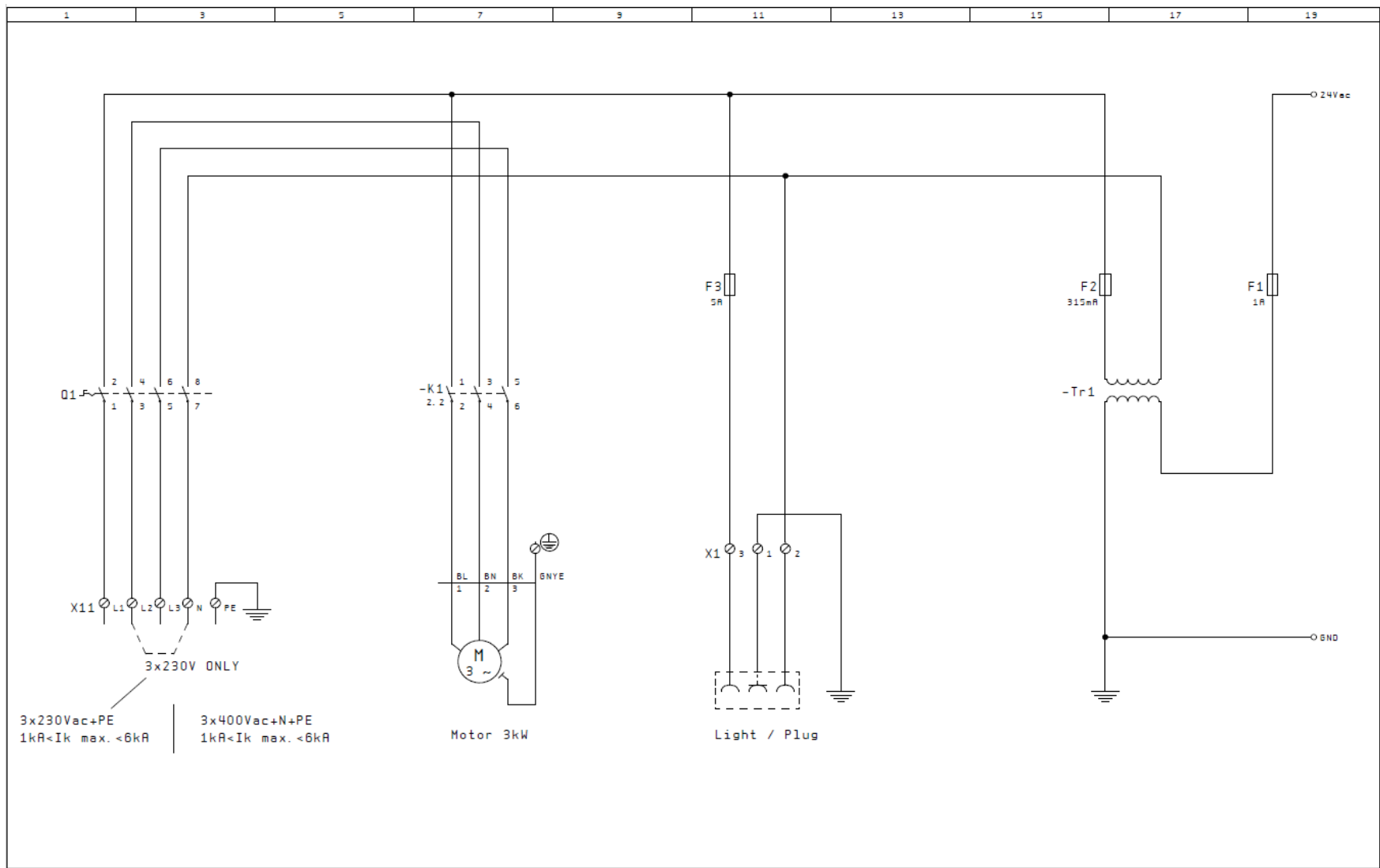


6. Serial connect the wires from the four switches according the below electrical diagram:

7. Fix the new box with strips to the cable holder, next to the existing box:



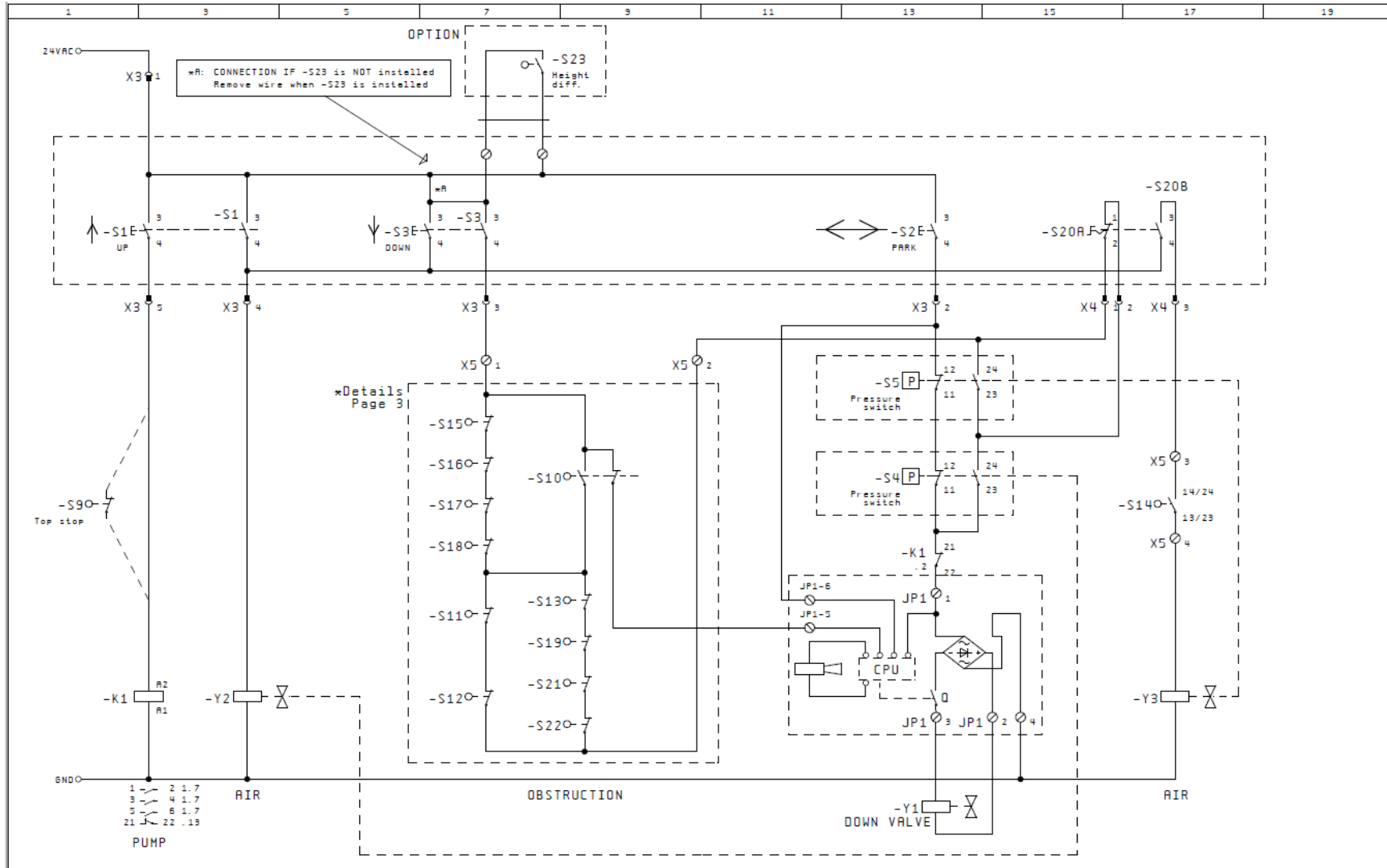
Installation instructions for 715317 Ratchet engaged kit for Wheel free
BRADBURY WHEEL-FREE H4441 / H4443 / H4541 / H4543



REV.	2
Project date	14. Mar. 2007
Printed	09. Sep. 2019

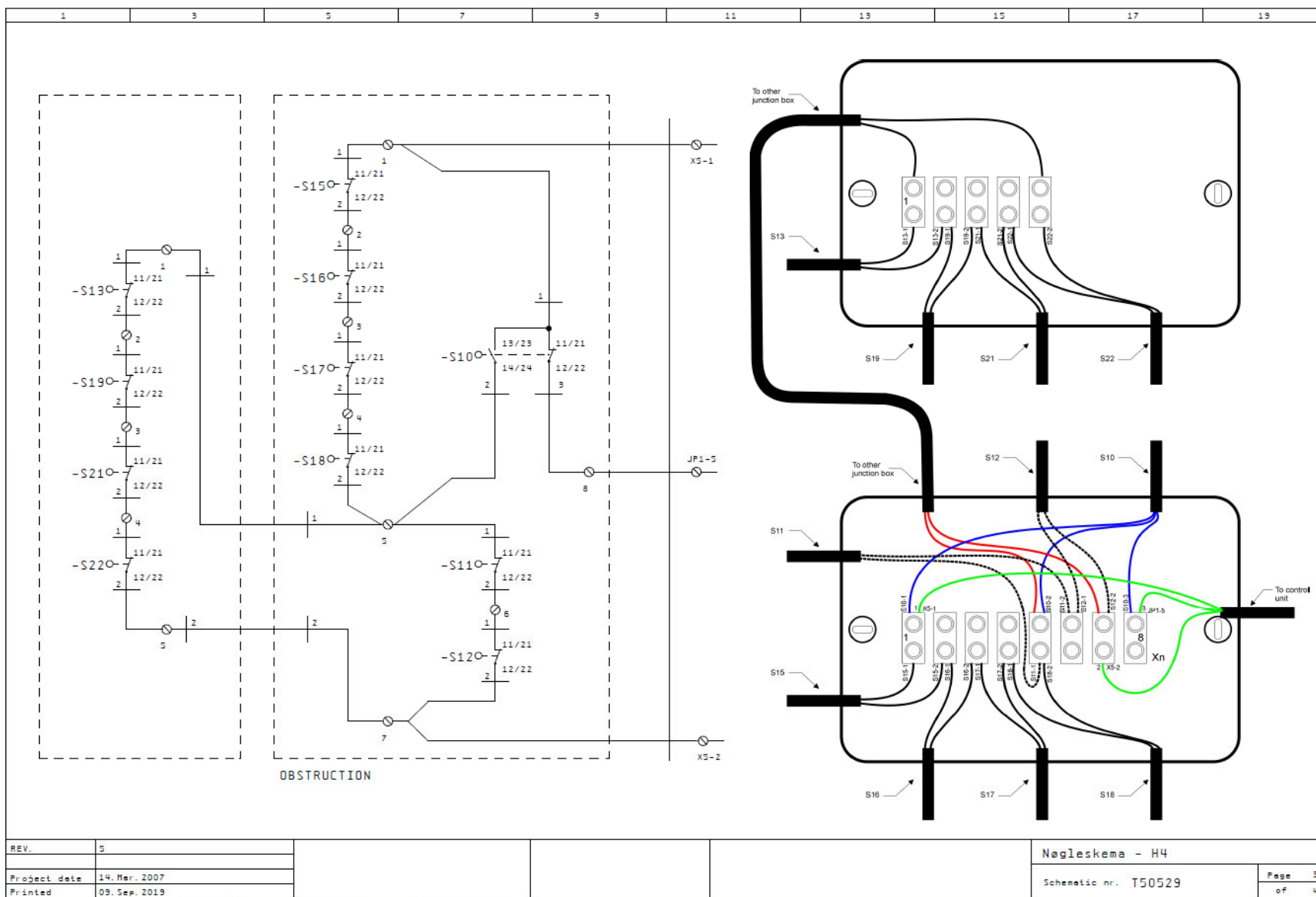
Nøgleskema - H4	
Schematic nr. T50529	Page 1 of 4

Installation instructions for 715317 Ratchet engaged kit for Wheel free
BRADBURY WHEEL-FREE H4441 / H4443 / H4541 / H4543



REV.	5				Nøgleskema - H4	Page 2
Project date	14. Mar. 2007				Schematic nr. T50529	of 4
Printed	09. Sep. 2019					

Installation instructions for 715317 Ratchet engaged kit for Wheel free
BRADBURY WHEEL-FREE H4441 / H4443 / H4541 / H4543



Installation instructions for 715317 Ratchet engaged kit for Wheel free
BRADBURY WHEEL-FREE H4441 / H4443 / H4541 / H4543

1	3	5	7	9	11	13	15	17	19
---	---	---	---	---	----	----	----	----	----

Limit switches:

S10: Limit switch for jumping the obstruction system on main lift, when lift is in bottom position.

S11: Limit switch for obstruction system for wheel free device - rear

S12: Limit switch for obstruction system for wheel free device - front

S13: Safety switch for ratchet when parking front right wheel-free cross beam.

S14: Limit switch for jumping S20 (in order to avoid that ratchets on safety ratchets are pulled, when wheel free device is parked).
 "Normally open" contacts has to be used in this switch.

S15: Limit switch for obstruction system on main lift

S16: Limit switch for obstruction system on main lift

S17: Limit switch for obstruction system on main lift

S18: Limit switch for obstruction system on main lift

S19: Safety switch for ratchet when parking front left wheel-free cross beam.

S20: Rotary switch for control of the Y3 valve

S21: Safety switch for ratchet when parking rear right wheel-free cross beam.

S22: Safety switch for ratchet when parking rear left wheel-free cross beam.

S23: Limit switch for Max height difference between wheel-free and platform.

REV.	5				Nøgleskema - H4	
Project date	14. Mar. 2007				Schematic nr. T50529	Page 4
Printed	09. Sep. 2019					of 4