

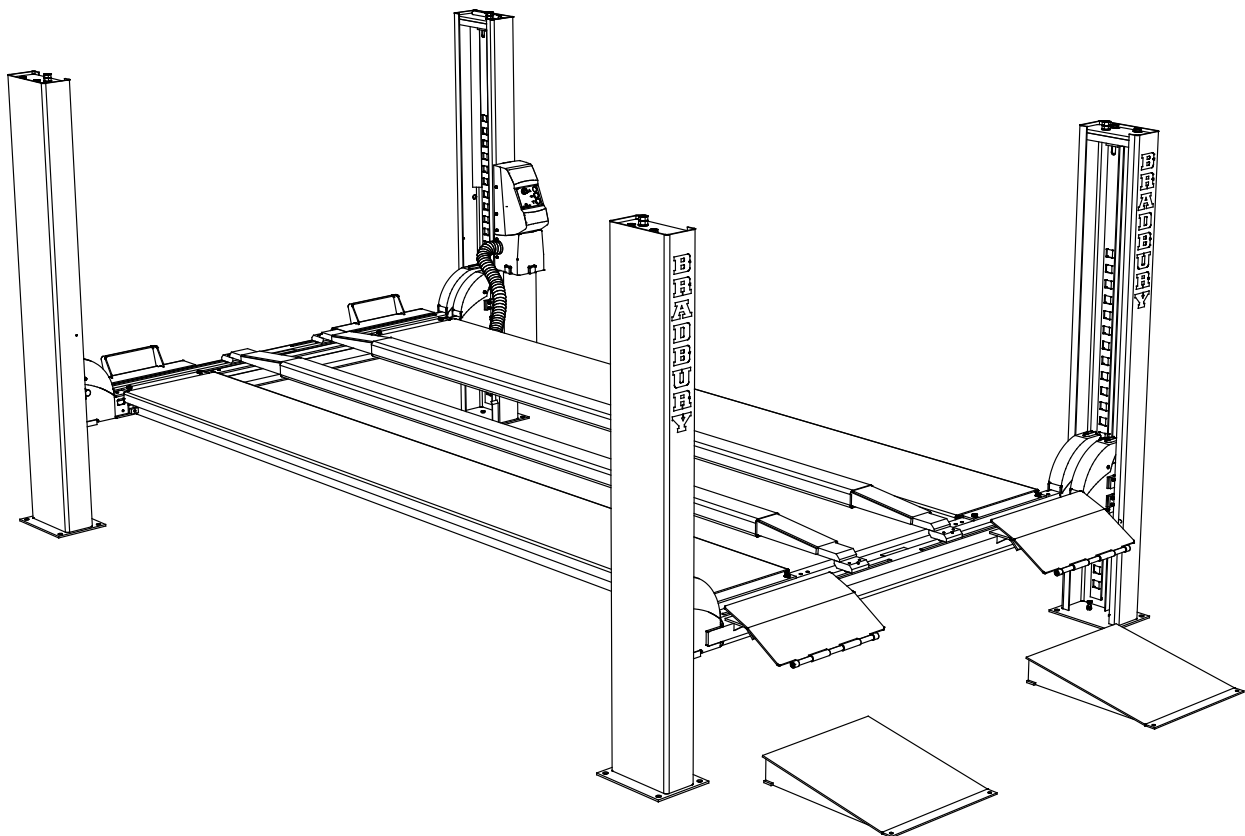
T20617

H4441 / H4443 / H4541 / H4543

Wheel Free

Spare parts list

(TRANSLATED VERSION)



Bradbury Equipment
153-165 Bridge Street
GB- Northampton NN1 1QG
England
Tel. +44 (0) 1604 828 648

Date: 080921	Serial No:
Ref.: LJE/GF	Pages: 31

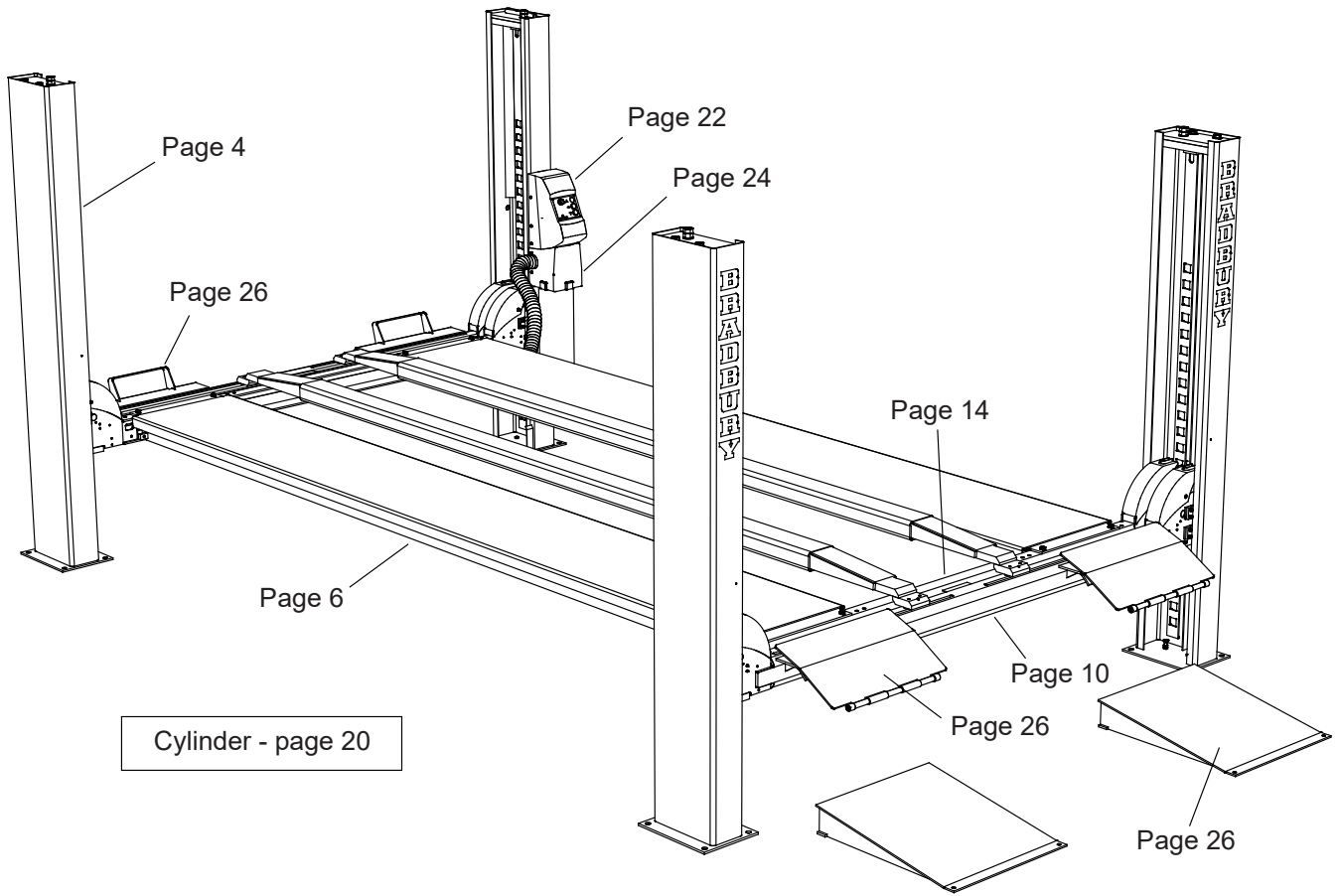
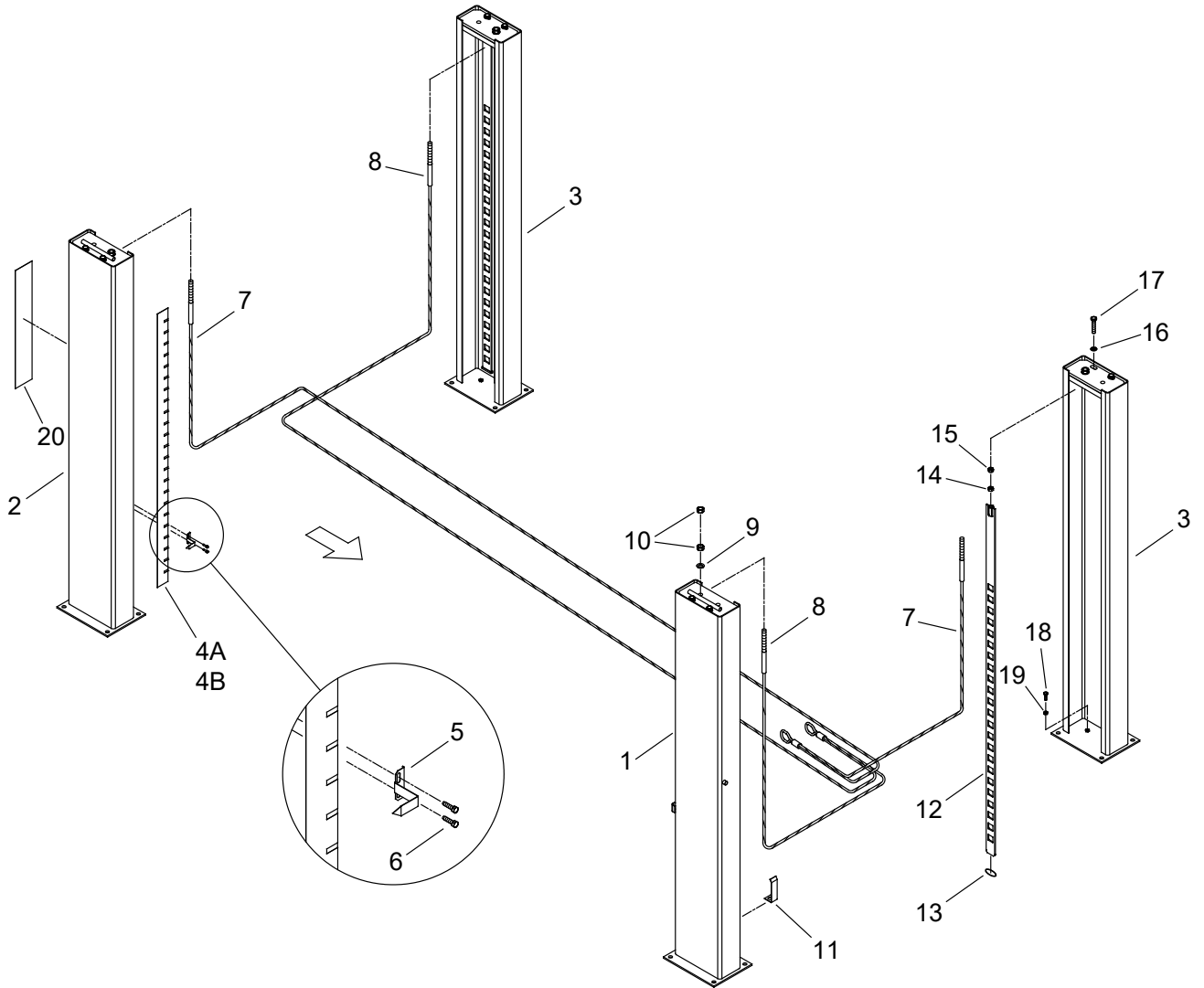


TABLE OF CONTENTS

Posts - cables	4
Platforms - until 2013.....	6
Platforms - from 2013	8
Cross beam - until 2013	10
Cross beam - from 2013.....	12
Cross beam - Wheel Free - until 2013.....	14
Cross beam - Wheel Free - from 2013 until 2019	16
Cross beam - Wheel Free - from 2019	18
Cylinder	20
Control unit	22
Pump unit	24
Ramps - wheel stop.....	26
Accessories	28
Contactors - until July 2019.....	30
Contactors - from July 2019	31

POSTS - CABLES

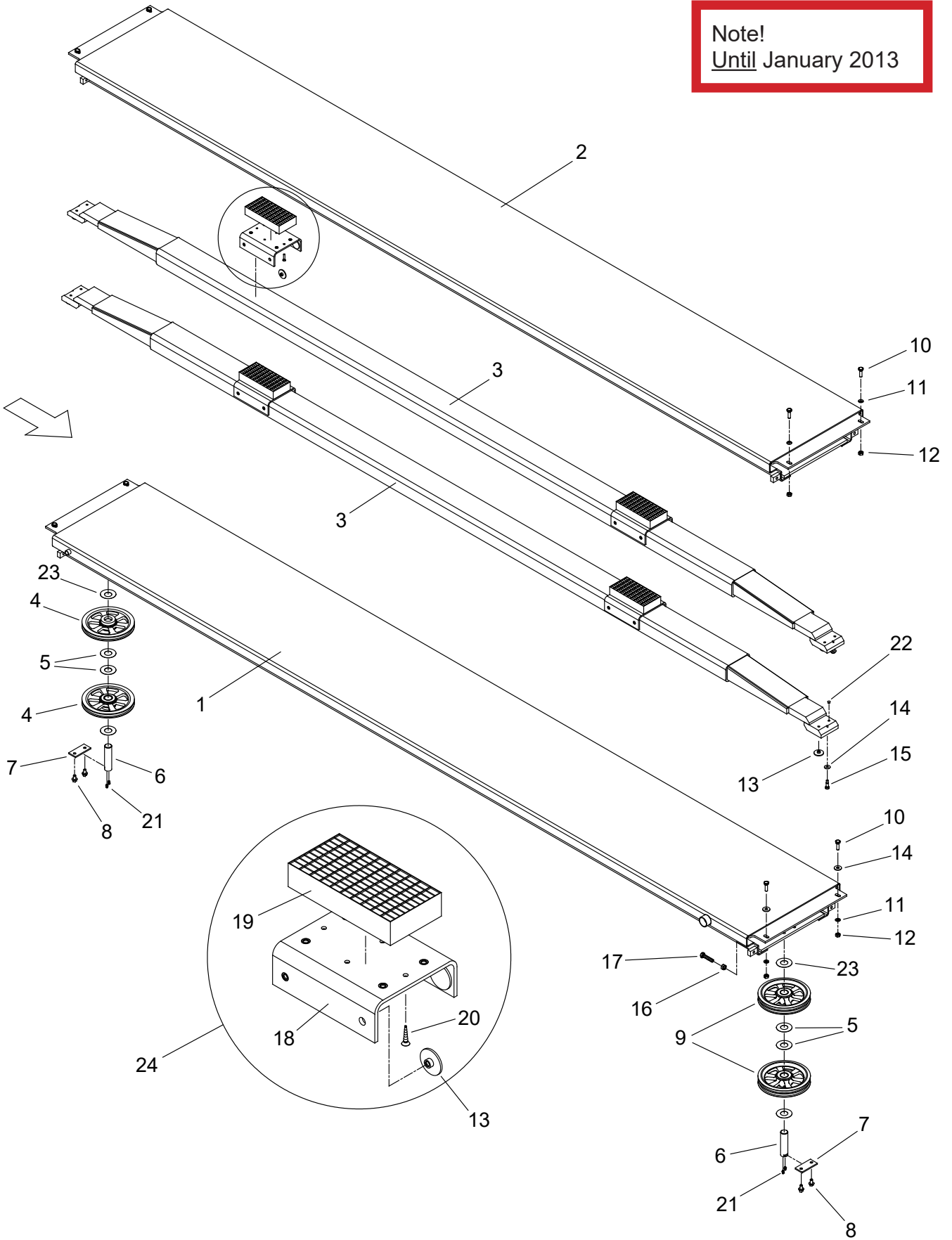


POSTS - CABLES

ITEM	QTY.	NO.	DESIGNATION	SPECIFICATIONS
1	1	673275	Control post	
2	1	673282	Post	
3	2	673274	Post	
4A	1	404443	Sticker (black figures)	
4B	1	404444	Sticker (White figures)	
5	1	474151	Indicating arrow	
6	2	259623	Taptite	M6x25
			<u>H4441/H4443</u>	
7	1	673240	Cable, ø12	4755/7490
8	1	673239	Cable, red, ø12	3190/9055
			<u>H4541/H4543</u>	
7	1	673242	Cable, ø12	4944/8874
8	1	673241	Cable, red, ø12	3400/10416
9	4	214608	Washer	
10	8	240380	Nut	M20
11	1	485225	Bracket	
12	8	673879	Ratchet rail	
13	8	212698	Rubber band	To 411A0166
13	8	212932	O-ring	From 411A0166
14	8	240361	Nut	M16
15	8	240919	Counter nut	M16
16	8	214606	Washer	
17	8	251575	Screw	M16x80
18	4	252163	Screw	M10x25
19	4	240327	Nut	M10
20	2	404927	Sticker	

PLATFORMS - UNTIL 2013

Note!
Until January 2013

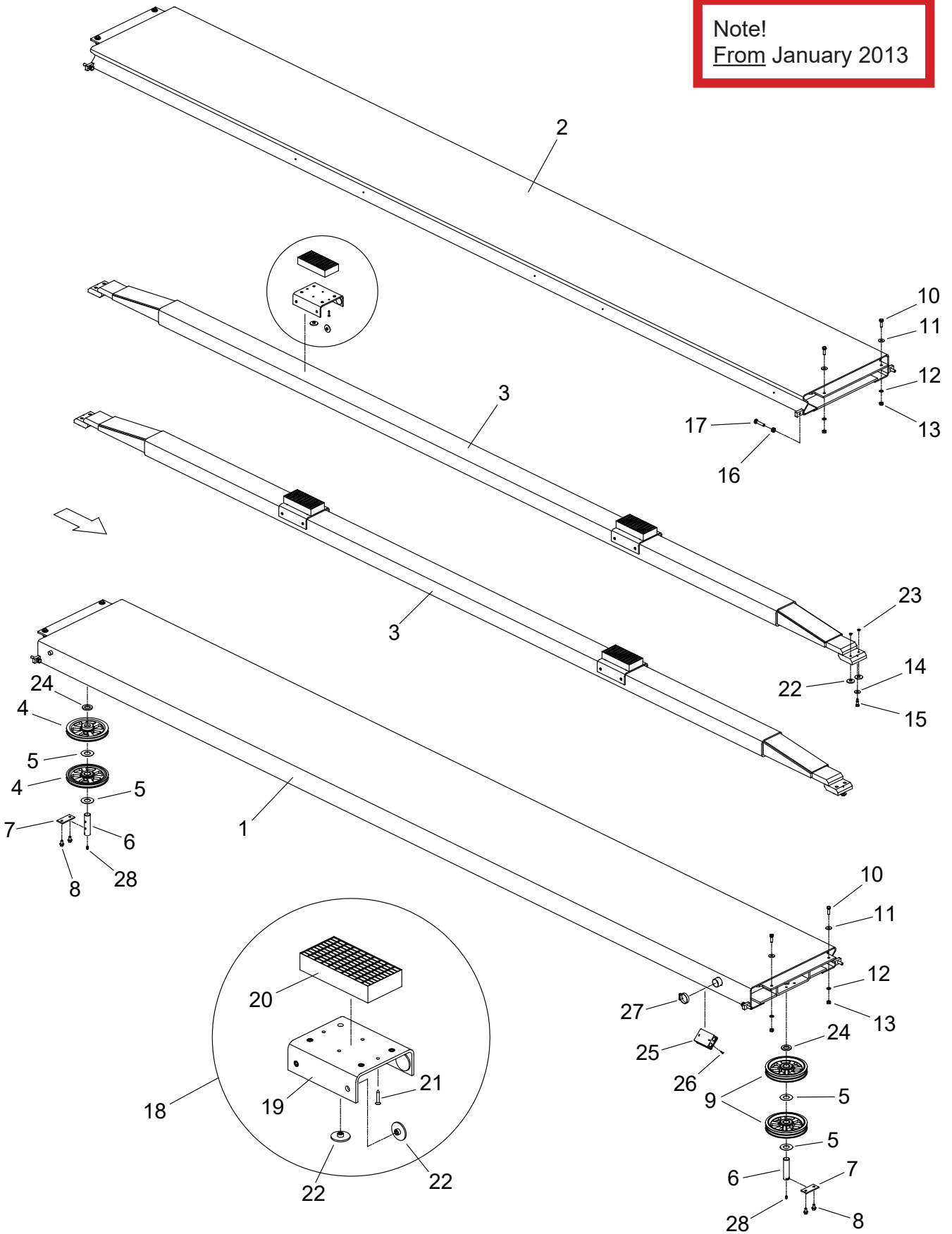


PLATFORMS - UNTIL 2013

ITEM	QTY.	NO.	DESIGNATION	SPECIFICATIONS
1	1	673373	Platform, left	H4443/H4441
-	1	673382	Platform, left	H4543/H4541
2	1	673372	Platform, right	H4443/H4441
-	1	673381	Platform, right	H4543/H4541
3	2	672596	Rail	H4443/H4441
-	2	672597	Rail	H4543/H4541
4	2	672630	Single-track cable pulley	
5	8	463450	Slide disc	
6	2	474012	Axle	H4443
-	2	473185	Axle	H4543
7	2	473291	Lock plate	
8	4	259630	Taptite	M10x20
9	2	672650	Double-track cable pulley	
10	8	252169	Screw	M10x35
11	8	214610	Washer	
12	8	240327	Nut	M10
13	36	473439	Sliding shoe	
14	12	214731	Washer	
15	4	259531	Studbolt	
16	8	240338	Nut	M12
17	8	252259	Screw	M12x55
18	4	474453	Adaptor	H4443/H4441
-	4	474454	Adaptor	H4543/H4541
19	4	290327	Rubber pad	
20	16	259957	Screw	M6x30
21	4	210219	Grease nipple	
22	8	213840	Plug	
23	2	473187	Washer	H4543
24	4	755703	Adaptor cpl. (item 13, 18, 19, 20)	H4443/H4441
-	4	755704	Adaptor cpl. (item 13, 18, 19, 20)	H4543/H4541

PLATFORMS - FROM 2013

Note!
From January 2013

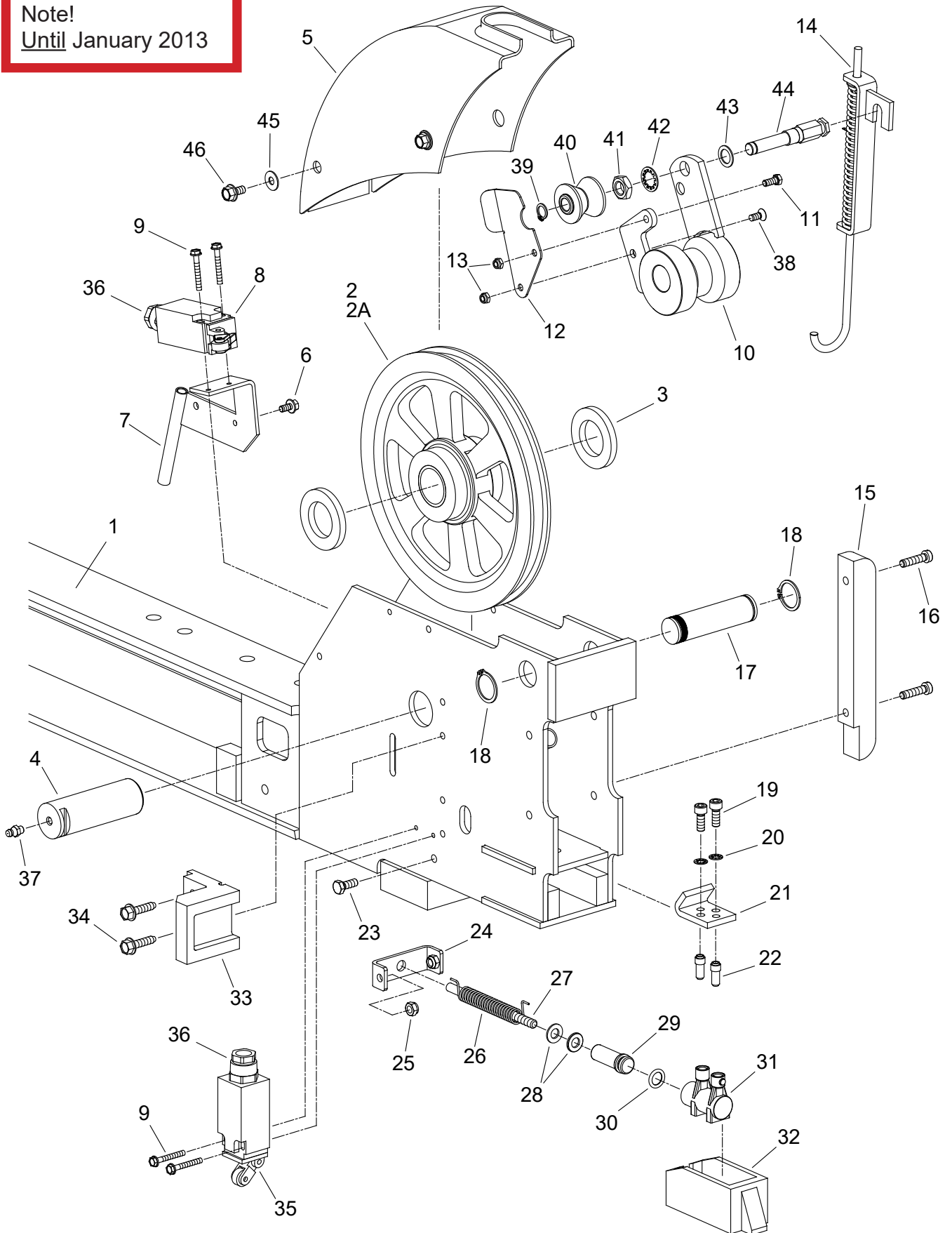


PLATFORMS - FROM 2013

ITEM	QTY.	NO.	DESIGNATION	SPECIFICATIONS
1	1	673857	Platform, left	H4443/H4441
-	1	673854	Platform, left	H4543/H4541
2	1	673858	Platform, right	H4443/H4441
-	1	673855	Platform, right	H4543/H4541
3	2	672596	Rail	H4443/H4441
-	2	672597	Rail	H4543/H4541
4	2	672630	Single-track cable pulley	
5	4	463450	Slide disc	
6	2	474280	Axle	H4443
-	2	474729	Axle	H4543
7	2	473291	Lock plate	
8	4	259630	Taptite	M10x20
9	2	672650	Double-track cable pulley	
10	8	252169	Screw	M10x35
11	8	214731	Washer	
12	8	214610	Washer	
13	8	240327	Nut	M10
14	4	214731	Washer	
15	4	259531	Studbolt	
16	8	240338	Nut	M12
17	8	252259	Screw	M12x55
18	4	755703	Adaptor cpl. (item 19, 20, 21, 22)	H4443/H4441
-	4	755704	Adaptor cpl. (item 19, 20, 21, 22)	H4543/H4541
19	4	474453	Adaptor	H4443/H4441
-	4	474454	Adaptor	H4543/H4541
20	4	290327	Rubber pad	
21	16	259957	Screw	M6x30
22	36	473439	Sliding shoe	
23	8	213840	Plug	
24	2	473187	Washer	H4543
25	1	265227	Terminal box	
26	2	259601	Taptite	M3x16
27	1	213430	Clip	
28	4	210219	Grease nipple	

CROSS BEAM - UNTIL 2013

Note!
Until January 2013

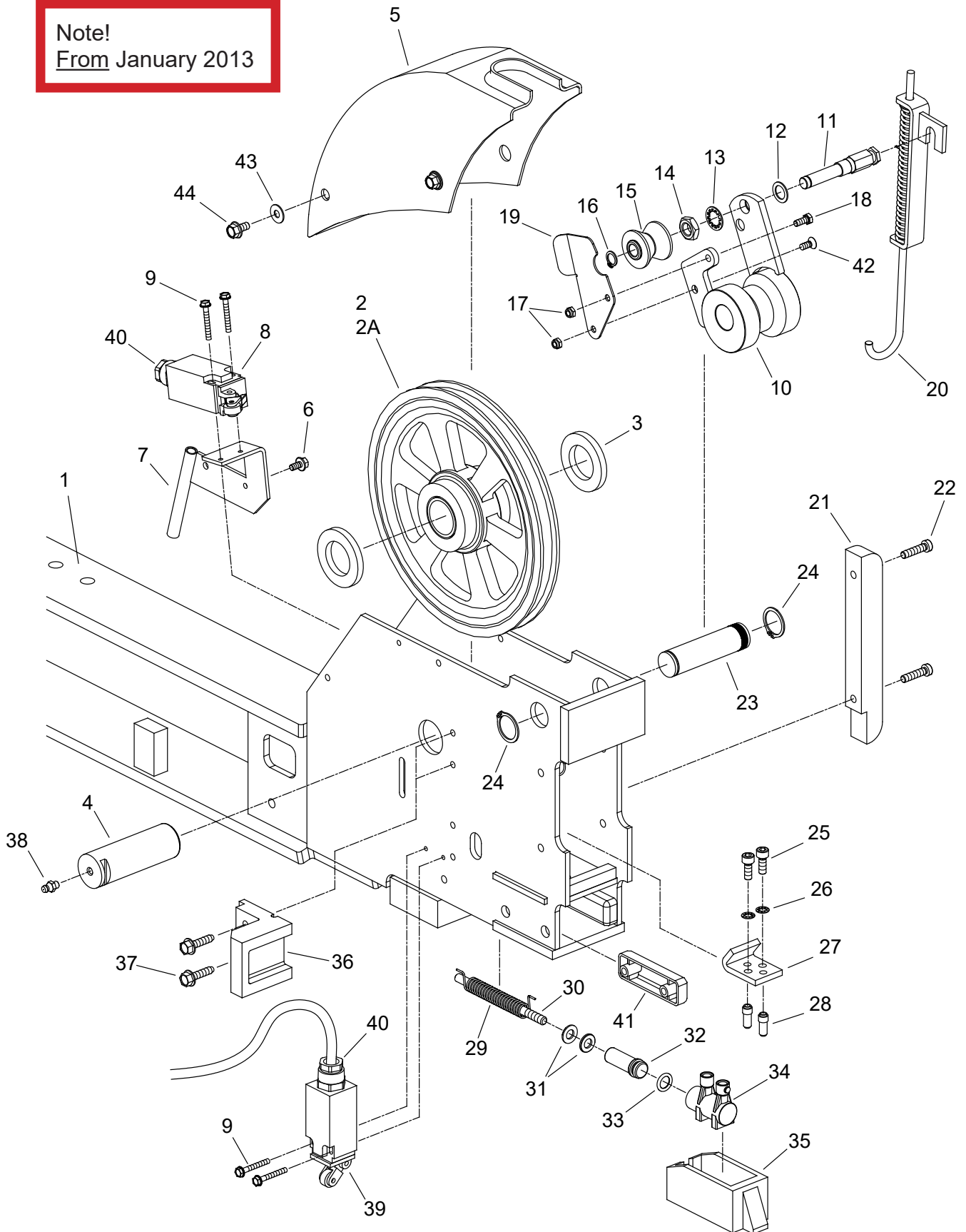


CROSS BEAM - UNTIL 2013

ITEM	QTY.	NO.	DESIGNATION	SPECIFICATIONS
1	2	673272	Cross beam	H4441/H4443
-	2	673280	Cross beam	H4541/H4543
2	4	672640	Single-track cable pulley	
2A	4	212417	Bushing	
3	8	473187	Distance washer	
4	4	834587	Axle	
5	4	474145	Guard, cable pulley	
6	4	259612	Taptite	
7	2	675009	Brace – left (on picture)	
-	2	675011	Brace – right	
8	2	263407	Limit switch for obstruction	S15, S16, S17 and S18
9	10	259609	Taptite	M4x30
10	2	755591	Eccentric brake, right (item 10, 11, 12, 13, 38-44)	To May 2012
-	2	755592	Eccentric brake, left (item 10, 11, 12, 13, 38-44) (on picture)	To May 2012
-	2	755428	Eccentric brake, right (item 10, 38-44)	From May 2012
-	2	755429	Eccentric brake, left (item 10, 38-44) (on picture)	From May 2012
11	4	251941	Screw	M5x12
12	2	472021	Breaker, right	
-	2	472022	Breaker, left (on picture)	
13	8	240911	Nut	
14	4	672385	Drawing device	
15	4	474442	Slideblock	
16	8	253637	Screw	M6x25
17	4	473141	Axle	
18	8	211737	Retaining ring	
19	8	252851	Screw	M6x16
20	8	214817	Washer	
21	4	473133	Holder for hose	
22	8	473292	Pipe	
23	8	251342	Screw	M6x16
24	4	473142	Bow	
25	8	240909	Nut	M6
26	4	317540	Spring	
27	4	473265	Neck screw	
28	8	214602	Washer	
29	4	460270	Piston	
30	4	212908	O-ring	
31	4	473242	Air cylinder	
32	4	139890	Ratchet	
33	4	473131	Slideblock	
34	8	259623	Taptite	M6x25
35	1	263407	Bottom limit switch	S10
36	1	262306	Cable lead-in bush	
37	4	210219	Grease nipple	
38	4	254044	Countersunk screw	M5x12
39	4	211771	Retaining ring	
40	4	672897	Roller	
41	4	240321	Counter nut	M12
42	4	214806	Washer	
43	4	214674	Washer	
44	4	473161	Axle	
45	12	214620	Washer	
46	12	259610	Taptite	M6x10

CROSS BEAM - FROM 2013

Note!
From January 2013

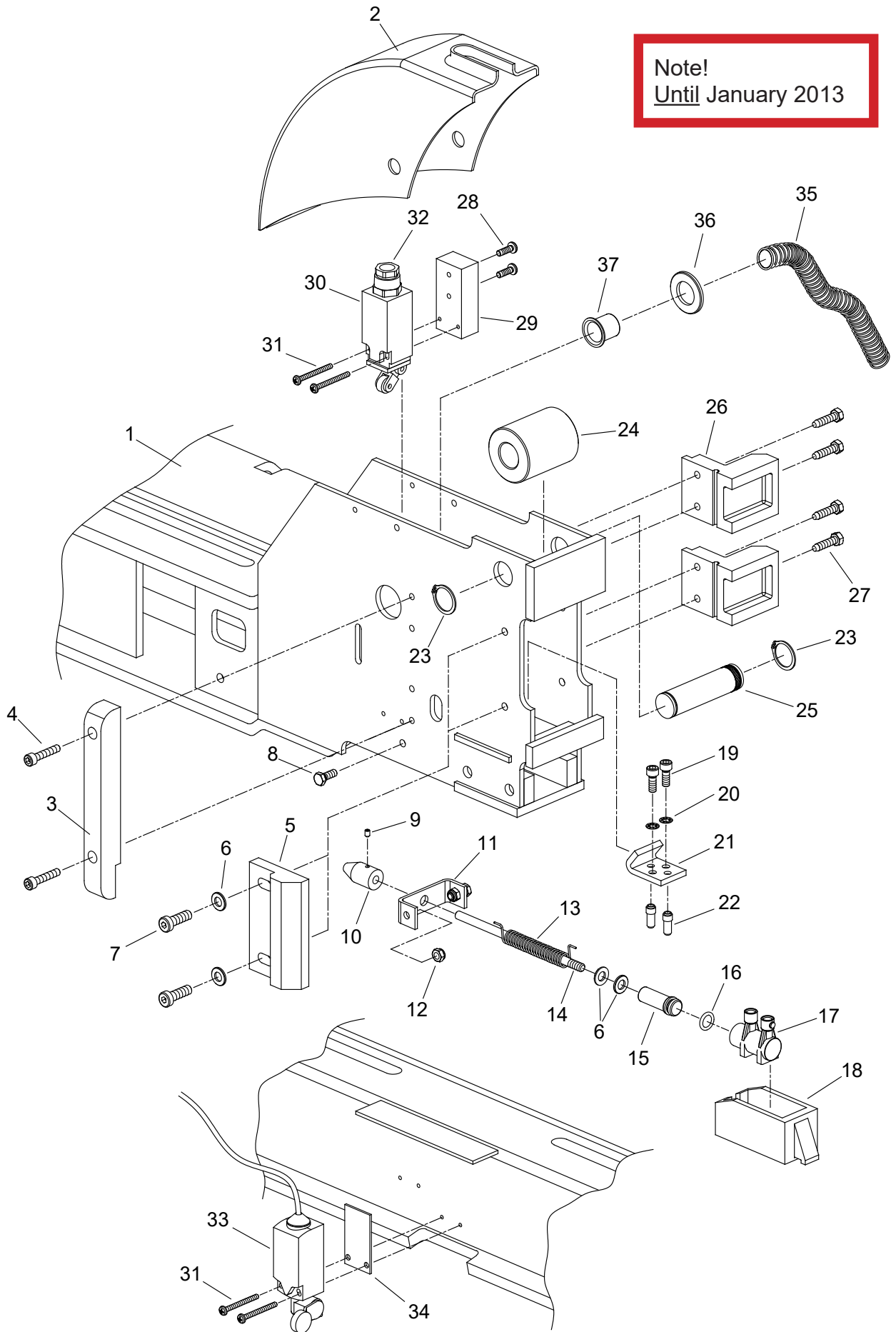


CROSS BEAM - FROM 2013

ITEM	QTY.	NO.	DESIGNATION	SPECIFICATIONS
1	2	673859	Cross beam	H4441/H4443
-	2	673856	Cross beam	H4541/H4543
2	4	672640	Single-track cable pulley	
2A	4	212417	Bushing	
3	8	473187	Distance washer	
4	4	834587	Axle	
5	4	474145	Guard, cable pulley	
6	4	259612	Taptite	
7	2	675009	Brace – left (on picture)	
-	2	675011	Brace – right	
8	2	263407	Limit switch for obstruction	S15, S16, S17 and S18
9	10	259609	Taptite	M4x30
10	2	755428	Eccentric brake, right (item 10-19,42)	
-	2	755429	Eccentric brake, left (item 10-19, 42) (on picture)	
11	4	473161	Axle	
12	4	214674	Washer	
13	4	214806	Washer	
14	4	240321	Counter nut	M12
15	4	672897	Roller	
16	4	211771	Retaining ring	
17	8	240911	Nut	
18	4	251941	Screw	M5x12
19	2	472021	Breaker, right	
-	2	472022	Breaker, left (on picture)	
20	4	672385	Drawing device	
21	4	474442	Slideblock	
22	8	253637	Screw	M6x25
23	4	473141	Axle	
24	8	211737	Retaining ring	
25	8	252851	Screw	M6x16
26	8	214817	Washer	
27	4	473133	Holder for hose	
28	8	473292	Pipe	
29	4	317540	Spring	
30	4	473265	Neck screw	
31	8	214602	Washer	
32	4	460270	Piston	
33	4	212908	O-ring	
34	4	473242	Air cylinder	
35	4	139890	Ratchet	
36	4	473131	Slideblock	
37	8	259623	Taptite	M6x25
38	4	210219	Grease nipple	
39	1	263407	Bottom limit switch	S10
40	1	262306	Cable lead-in bush	
41	8	475047	Guide	From January 2018
42	4	254044	Countersunk screw	M5x12
43	12	214620	Washer	
44	12	259610	Taptite	M6x10

CROSS BEAM - WHEEL FREE - UNTIL 2013

Note!
Until January 2013

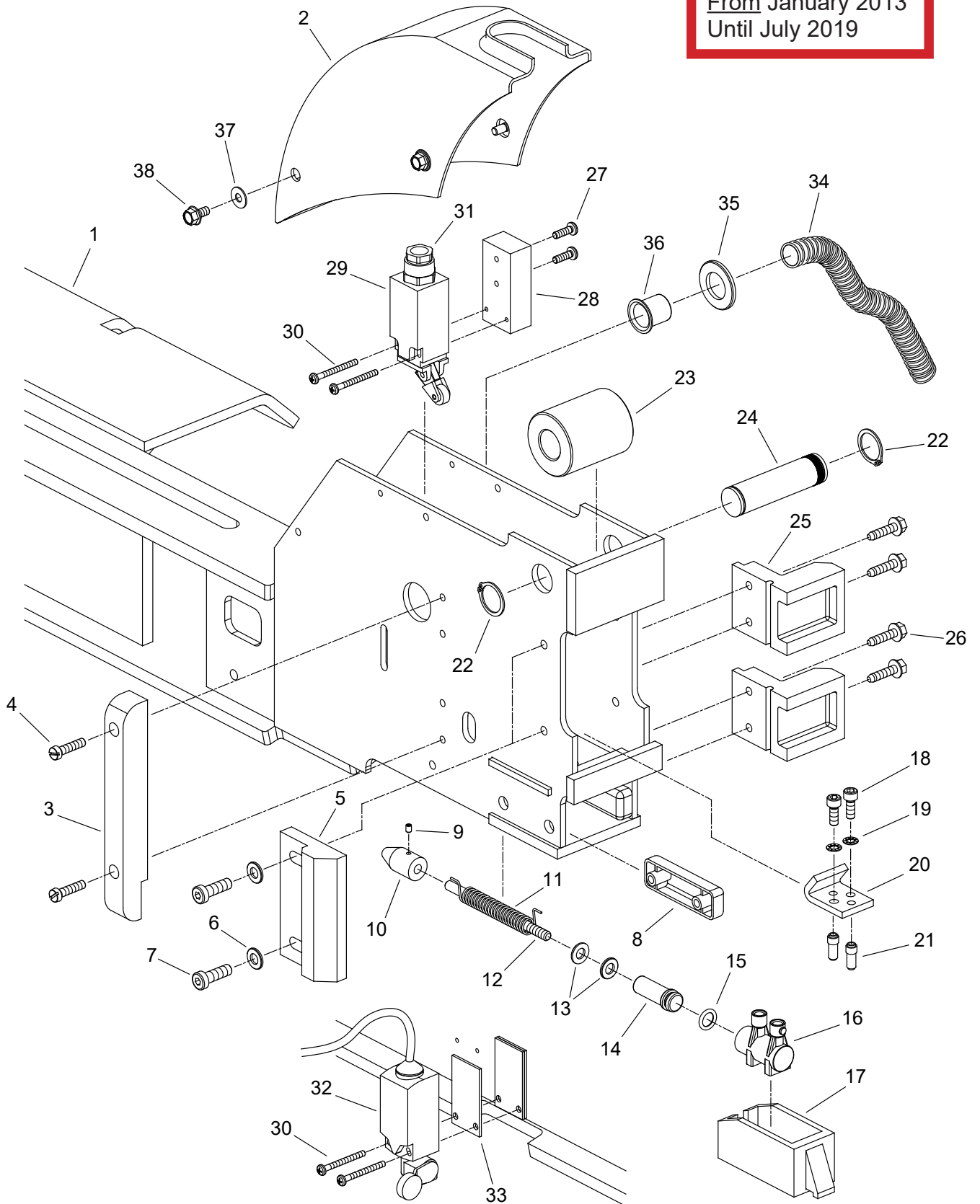


CROSS BEAM - WHEEL FREE - UNTIL 2013

ITEM	QTY.	NO.	DESIGNATION	SPECIFICATIONS
1	2	673273	Cross beam	H4441/H4443
-	2	673277	Cross beam	H4541/H45453
2	4	474296	Guard, cable pulley	
3	4	474442	Slideblock	
4	8	253637	Screw	
5	4	474421	Slideblock	
6	16	214602	Washer	
7	8	252936	Screw	
8	8	251342	Screw	
9	1	255517	Pointed screw	
10	1	474423	Cone	
11	4	473142	Bow	
12	8	240909	Nut	
13	4	317540	Spring	
14	4	473265	Neck screw	
15	4	460270	Piston	
16	4	212908	O-ring	
17	4	473242	Air cylinder	
18	4	474425	Ratchet	
19	8	252851	Screw	
20	8	214817	Washer	
21	4	473133	Holder for hose	
22	8	473292	Pipe	
23	8	211737	Retaining ring	
24	4	474422	Roller	
25	4	473141	Axle	
26	8	473131	Slideblock	
27	16	259623	Taptite	
28	2	259648	Screw	
29	1	474428	Distance piece	
30	1	263403	Limit switch	S13
31	8	259629	Taptite	M4x40
32	1	262306	Cable lead-in bush	
33	1	263271	Limit switch	S11, S12, S14
34	16	474440	Distance piece	
35	3	265426	Protecting hose	
36	2	214608	Washer	
37	2	212460	Bearing	

CROSS BEAM - WHEEL FREE - FROM 2013 UNTIL 2019

Note!
From January 2013
Until July 2019

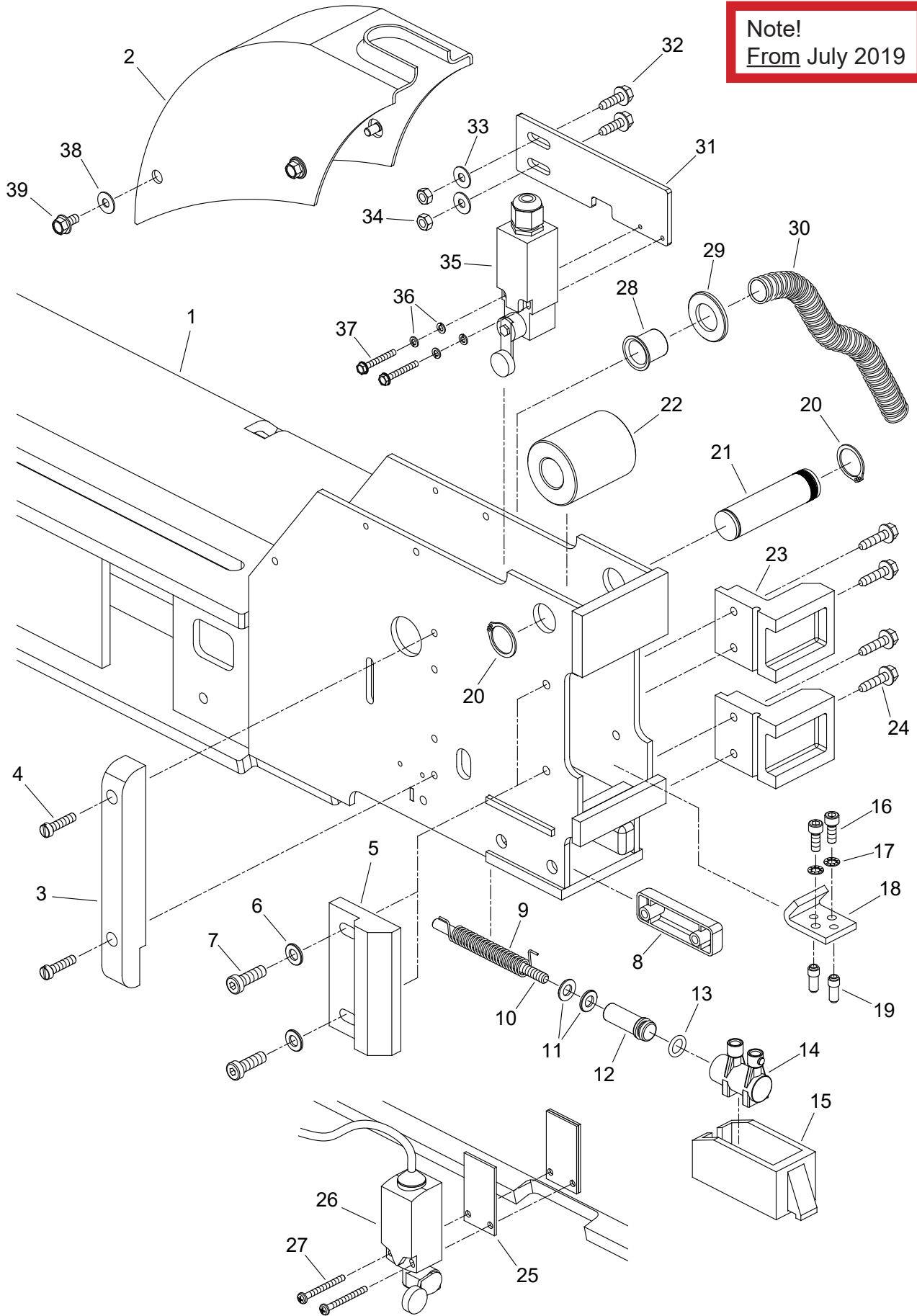


CROSS BEAM - WHEEL FREE - FROM 2013 UNTIL 2019

ITEM	QTY.	NO.	DESIGNATION	SPECIFICATIONS
1	2	673273	Cross beam	H4441/H4443
-	2	673277	Cross beam	H4541/H45453
2	4	474145	Guard, cable pulley	
3	4	474442	Slideblock	
4	8	253637	Screw	
5	4	474421	Slideblock	
6	8	214602	Washer	
7	8	252936	Screw	
8	8	475047	Guide	From January 2018
9	1	255517	Pointed screw	
10	1	474423	Cone	
11	4	317540	Spring	
12	4	473265	Neck screw	
13	8	214602	Washer	
14	4	460270	Piston	
15	4	212908	O-ring	
16	4	473242	Air cylinder	
17	4	474425	Ratchet	
18	8	252851	Screw	
19	8	214817	Washer	
20	4	473133	Holder for hose	
21	8	473292	Pipe	
22	8	211737	Retaining ring	
23	4	474422	Roller	
24	4	473141	Axle	
25	8	473131	Slideblock	
26	16	259623	Taptite	
27	2	259648	Screw	
28	1	474428	Distance piece	
29	1	263403	Limit switch	S13
30	8	259629	Taptite	M4x40
31	1	262306	Cable lead-in bush	
32	1	263271	Limit switch	S11, S12, S14
33	16	474440	Distance piece	
34	3	265426	Protecting hose	
35	2	214608	Washer	
36	2	212460	Bearing	
37	16	214620	Washer	
38	16	259610	Taptite	M6x10

CROSS BEAM - WHEEL FREE - FROM 2019

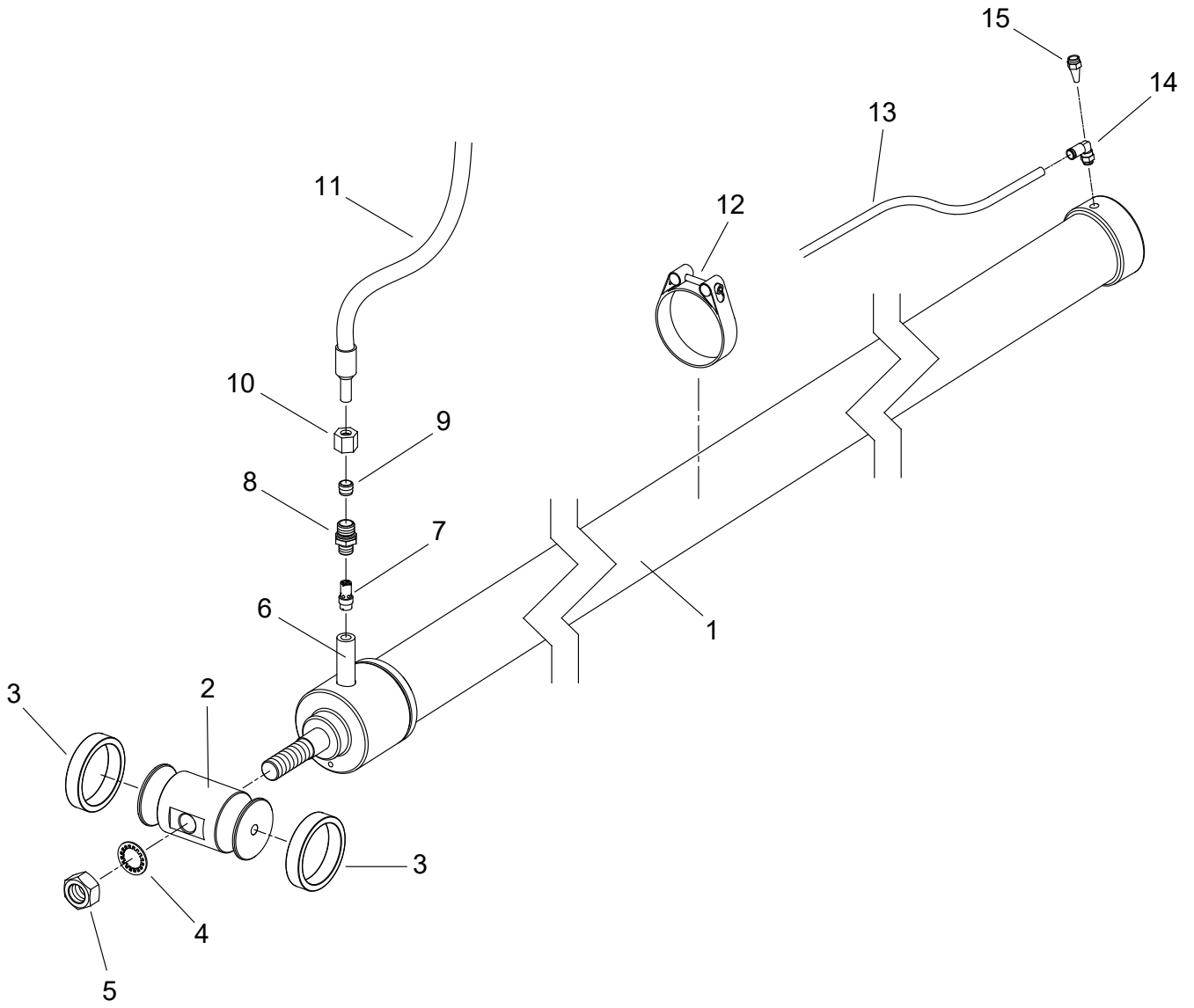
Note!
From July 2019



CROSS BEAM - WHEEL FREE - FROM 2019

ITEM	QTY.	NO.	DESIGNATION	SPECIFICATIONS
1	2	673273	Cross beam	H4441/H4443
-	2	673277	Cross beam	H4541/H45453
2	4	474145	Guard, cable pulley	
3	4	474442	Slideblock	
4	8	253637	Screw	
5	4	474421	Slideblock	
6	8	214602	Washer	
7	8	252936	Screw	
8	8	475047	Guide	
9	4	317540	Spring	
10	4	473265	Neck screw	
11	8	214602	Washer	
12	4	460270	Piston	
13	4	212908	O-ring	
14	4	473242	Air cylinder	
15	4	474425	Ratchet	
16	8	252851	Screw	
17	8	214817	Washer	
18	4	473133	Holder for hose	
19	8	473292	Pipe	
20	8	211737	Retaining ring	
21	4	473141	Axle	
22	4	474422	Roller	
23	8	473131	Slideblock	
24	16	259623	Taptite	
25	16	474440	Distance piece	
26	1	263271	Limit switch	S11, S12, S14
27	8	259629	Taptite	M4x40
28	2	212460	Bearing	
29	2	214608	Washer	
30	3	265426	Protecting hose	
31	4	474626	Bracket	
32	8	259642	Taptite	M6x20
33	8	214620	Washer	
34	8	240308	Nut	M6
35	4	265564	Limit switch	S13,S19,S21,S22
36	16	214835	Spring washer	
37	8	259609	Taptite	M4x30
38	16	214620	Washer	
39	16	259610	Taptite	M6x10

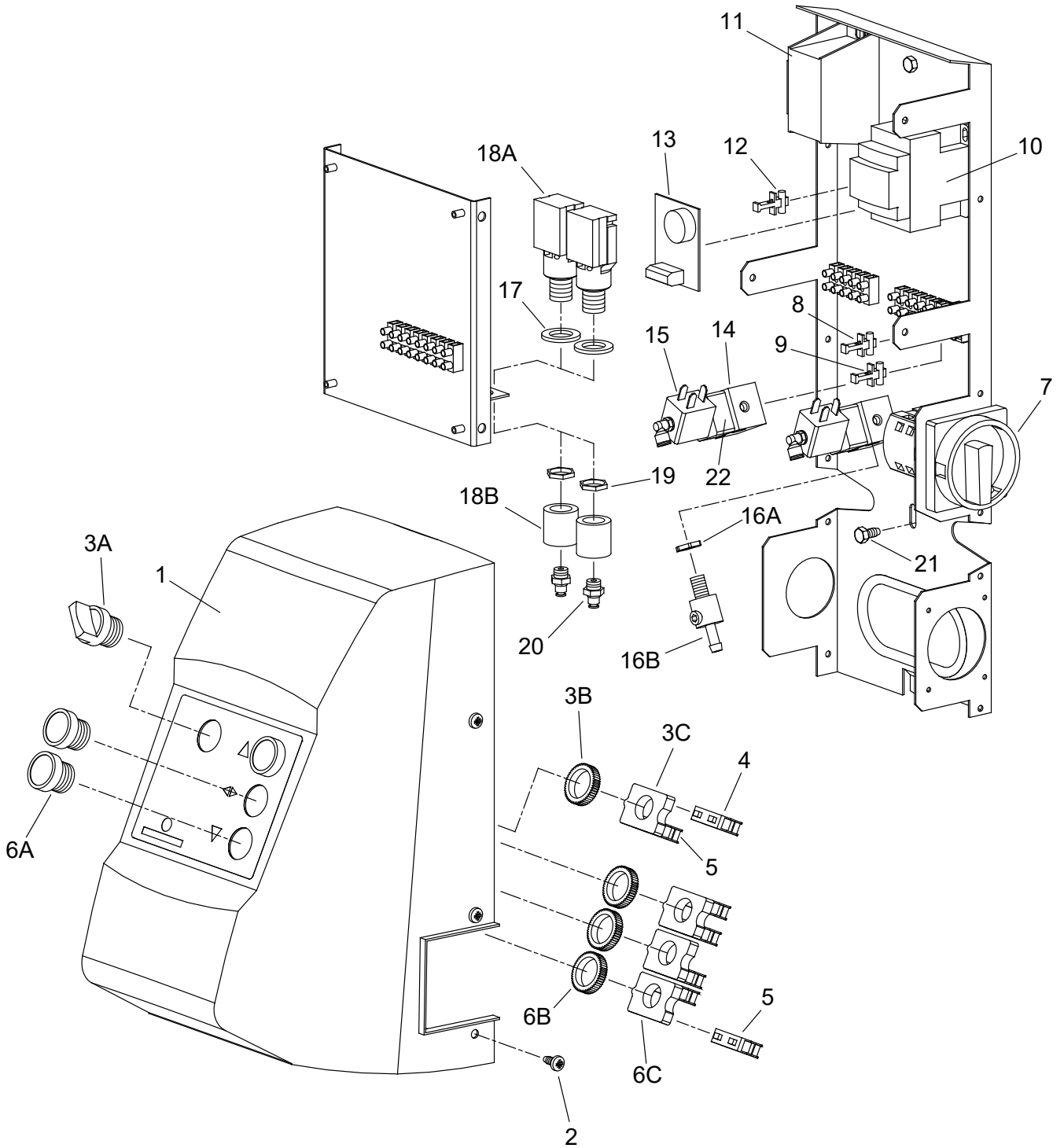
CYLINDER



CYLINDER

ITEM	QTY.	NO.	DESIGNATION	SPECIFICATIONS
		755658	Cylinder cpl. with return hose	
1	1	290366	Cylinder with return hose	
2	1	473424	Yoke	
3	2	474202	Spacer ring	
4	1	214832	Washer	
5	1	240466	Nut	M20
6	1	271201	Nipple pipe	
7	1	214396	Flow restricting valve	10l./min.
8	1	223455	Connecting socket	
9	1	219106	Cutting ring	
10	1	219206	Union nut	
11	1	213565	High pressure hose	H4443/H4441
11	1	213384	High pressure hose	H4543/H4541
12	1	213429	Clamp	
13	1	213854	Hose	From June 07
14	1	219458	Hose coupling	From June 07
15	1	213863	Air filter	To June 07
	1	792425	Stuffing box cpl. (for red or grey AC-cylinder)	To 408A0001
	1	792408	Seal kit inc. stuffing box (for black or white Büter-cylinder)	From 408A0001
	1	792426	Piston seals kit	

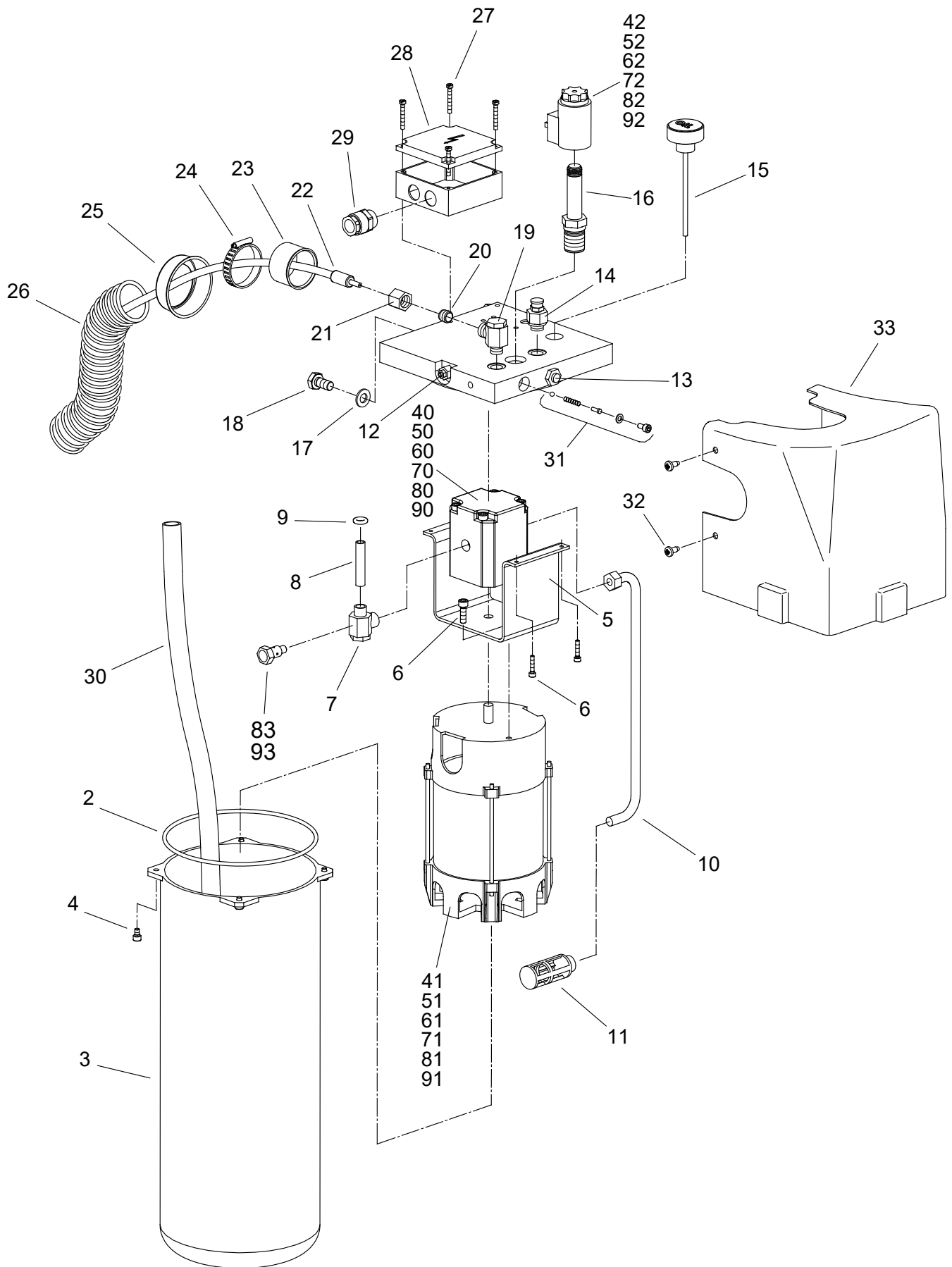
CONTROL UNIT



CONTROL UNIT

ITEM	QTY.	NO.	DESIGNATION	SPECIFICATIONS
1	1	265264	Front cover cpl.	
2	6	259618	Taptite	M6x12
3A-C	1	265322	Rotary switch	
4	1	265424	Contact element	1NC
5	6	265423	Contact element	1NO
6A-C	2	265318	Pushbutton	
8	1	265164	Fuse F3	5 At
9	1	265107	Fuse F2	315mAt
11	1	265102	Transformer	
12	1	265106	Fuse F1	1 At
13	1	265428	Circuit board	
14	1	265430	Base for solenoid valve	
15	1	265115	Coil	
16A-B	1	474024	Hose union	
17	2	488140	Washer	
18A-B	2	265119	Pressure switch	
19	2	240923	Nut	
20	2	265406	Hose coupling	
21	2	259624	Taptite	M6x12
22	2	265095	Solenoid valve	
		<u>756684</u>	<u>Control unit cpl.</u>	230-400/3/50-60
7	1	265505	Main switch	
10	1	265109	Contactora	
		<u>756685</u>	<u>Control unit cpl.</u>	230/1/50-60
7	1	265518	Main switch	
10	1	265289	Contactora	

PUMP UNIT

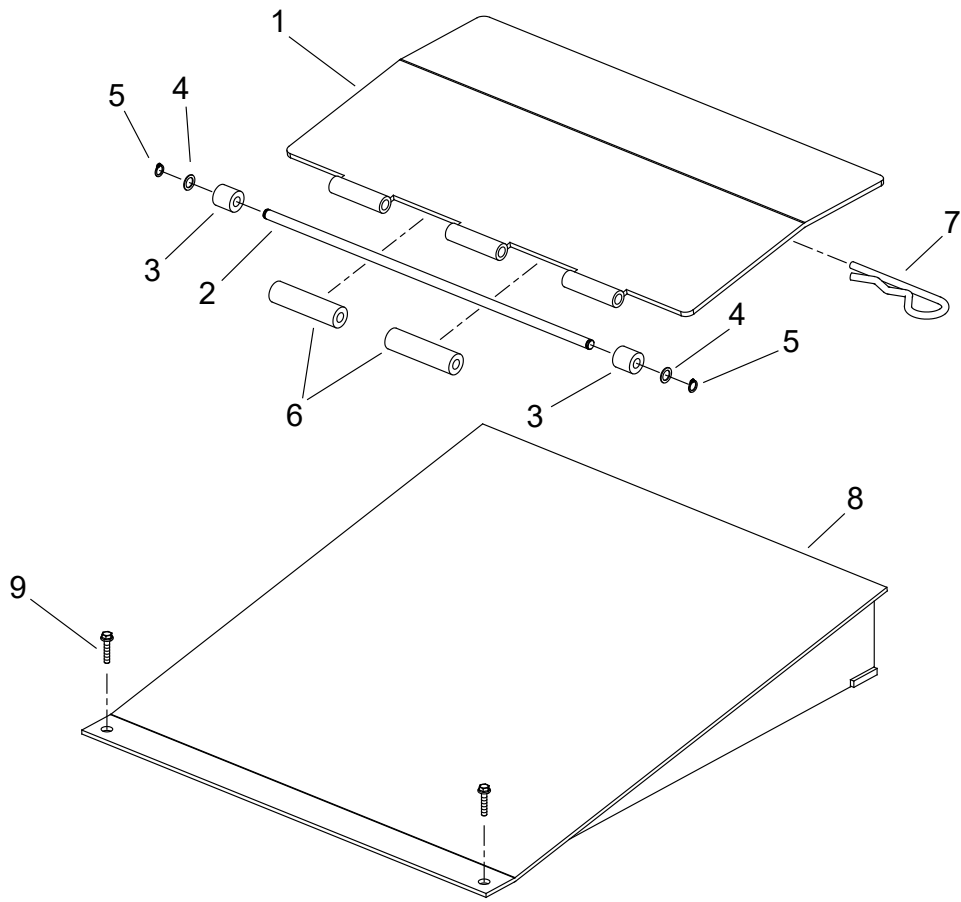


PUMP UNIT

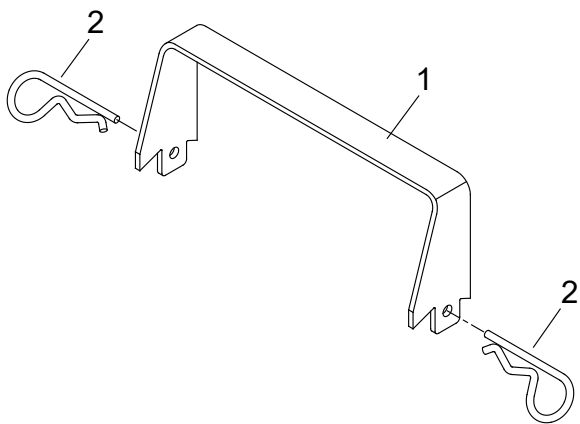
ITEM	QTY.	NO.	DESIGNATION	SPECIFICATIONS
2	1	212250	O-ring	
3	1	271175	Oil tank	
4	4	252844	Screw	M6x8
5	1	271177	Bracket	
6	5	252897	Screw	M8x16
7	1	220426	Elbow union	
8	1	474121	Pipe	
9	1	212253	O-ring	
10	1	474122	Suction pipe	
11	1	290358	Suction filter	
12	1	214198	Safety valve	
13	1	214199	Emergency lowering valve	
14	1	214629	Coupling for pressure gauge	
15	1	290314	Dip-stick	
16	1	214285*	Valve insert	
17	2	214610	Washer	
18	2	252161	Screw	M10x20
19	1	220422	Elbow union	
20	1	219106	Cutting ring	
21	1	219206	Union nut	
22	1	213565	High pressure hose	H4443/H4441
22	1	213384	High pressure hose	H4543/H4541
23	1	474142	Pipe socket	
24	2	213430	Clip	
25	1	474124	Cover for protecting hose	
26	1	265266	Protecting hose	
27	4	253548	Screw	M4x45
28	1	265179	Terminal box	
29	1	262208	Cable lead-in bush	
30	1	474123	Return pipe	
31	1	214698	Non-return valve cpl.	
32	4	259613	Taptite	M5x10
33	1	474119	Front cover	
		<u>756374</u>	<u>Pump unit cpl. 3x230/400V - 50Hz (24V)</u>	
40	1	271154	Pump	230 bar
41	1	260013	Electric motor	10 l./min.
42	1	265073	Solenoid coil	24V
		<u>756376</u>	<u>Pump unit cpl. 3x230/400V - 50Hz (24V)</u>	
50	1	271156	Pump	300 bar
51	1	260013	Electric motor	7.4 l./min.
52	1	265073	Solenoid coil	24V
		<u>756375</u>	<u>Pump unit cpl. 3x230V - 60Hz (24V)</u>	
60	1	271156	Pump	280 bar
61	1	260014	Electric motor	8.9 l./min.
62	1	265073	Solenoid coil	24V
		<u>756453</u>	<u>Pump unit cpl. 3x230/400V - 60Hz (24V)</u>	
70	1	271158	Pump	300 bar
71	1	260021	Electric motor	7 l./min.
72	1	265073	Solenoid coil	24V
		<u>756433</u>	<u>Pump unit cpl. 1x230V - 50Hz (24V)</u>	
80	1		Pump	300 bar
81	1	260015	Electric motor	4.6 l./min.
82	1	265073	Solenoid coil	
83	1	271179	Relief valve	
		<u>756395</u>	<u>Pump unit cpl. 1x220V - 50Hz (24V)</u>	
90	1	271178	Pump	230 bar
91	1	260015	Electric motor	5 l./min.
92	1	265073	Solenoid coil	
93	1	271179	Relief valve	
*)	1	792434	Seal kit for valve insert (item 16)	

RAMPS - WHEEL STOP

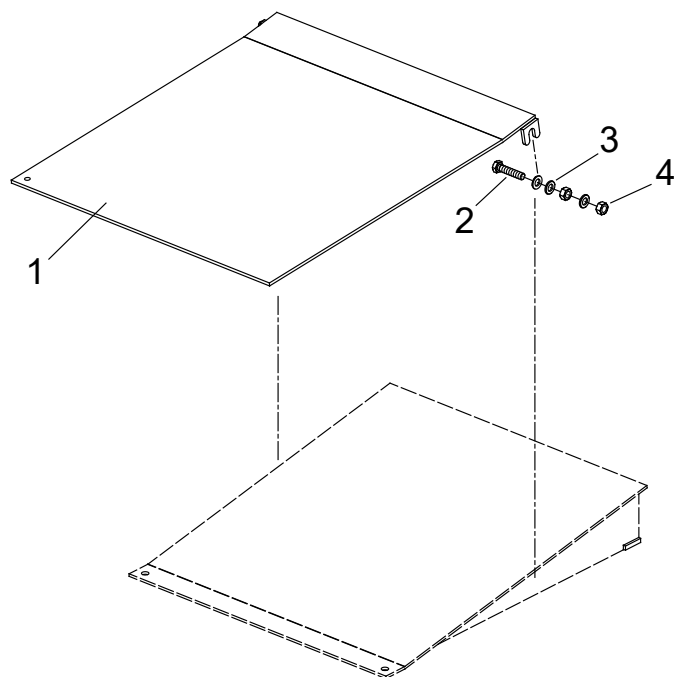
A



B



C

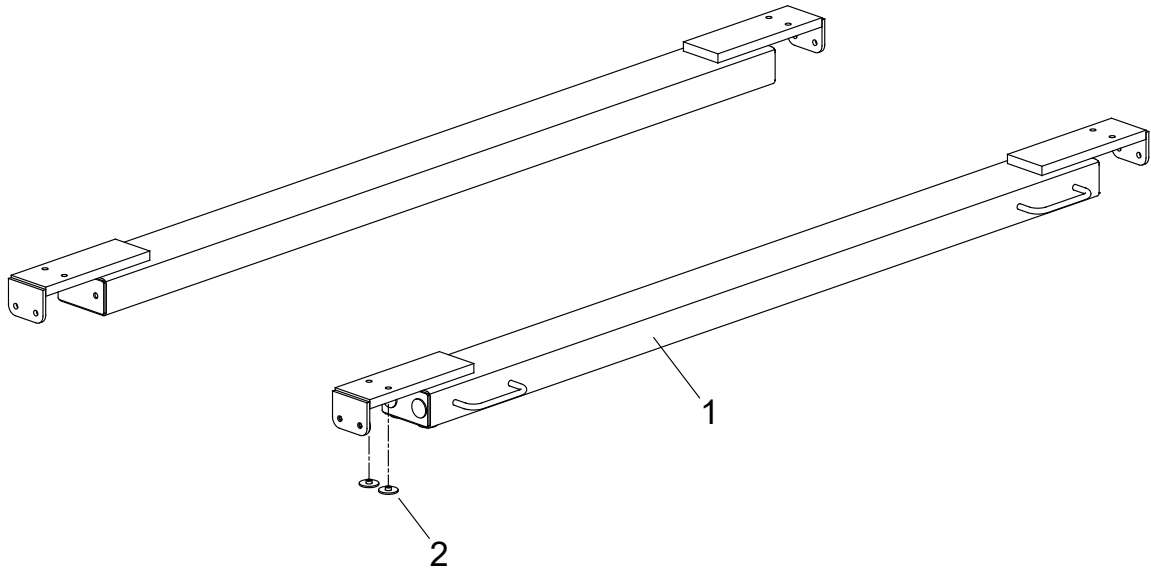


RAMPS - WHEEL STOP

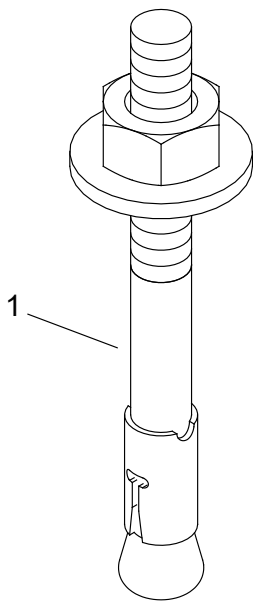
ITEM	QTY.	NO.	DESIGNATION	SPECIFICATIONS
		<u>755539</u>	<u>Set of drive-on ramps (A)</u>	
1	2	672588	Drive-on ramp	
2	2	394326	Axle	
3	4	394367	Roller	
4	4	214674	Washer	
5	4	211716	Retaining ring	
6	4	394347	Roller	
7	4	290310	Snap pin	Ø8
8	2	672587	Floor-mounted ramp	
9	4	259822	Bolt	HUS3-H 8x55 5/-/-
		<u>672659</u>	<u>Set of wheel-stops (B)</u>	
1	2	473221	Wheel-stop	
2	4	290311	Snap pin	Ø6
		<u>755533</u>	<u>Set of extensions for floor-mounted ramps (C)</u>	
1	2	673413	Ramp extension	
2	4	252259	Screw	M12x55
3	12	214611	Washer	
4	8	240338	Nut	M12

ACCESSORIES

D



E



ACCESSORIES

ITEM	QTY.	NO.	DESIGNATION	SPECIFICATIONS
	1	<u>756716</u>	<u>Cross beams for rails – set (D)</u>	H4441/H4443
	1	<u>756717</u>	<u>Cross beams for rails – set (D)</u>	H4541/H4543
1	2	672598	Cross beam for rail	H4441/H4443
1	2	672599	Cross beam for rail	H4541/H4543
2	32	473439	Sliding shoe	
	1	<u>776898</u>	<u>Set of expansion bolts (E)</u>	
	16	259816	Expansion bolt	HST3 M12x115 40/20

CONTACTORS - UNTIL JULY 2019

H4441/H4443			
Switch no.	Length of cables	Limit switches	Cable lead-in bush
S10 for connection box	1500mm (3-core)	XCKP2527P16 (Telemecanique)	Standard cable lead-in bush PG11 / M16 (splash-proof)
S11 for connection box	11000mm (2-core)	XCKP2118P16 (Telemecanique)	Solar membrannipple with PG11 / M16
S12 for connection box	8200mm (2-core)	XCKP2118P16 (Telemecanique)	Solar membrannipple with PG11 / M16
S13 for connection box	6500mm (2-core)	XCKP2121P16 (Telemecanique)	Standard cable lead-in bush PG11 / M16
S14 for control unit	5700mm (2-core)	XCKP2118P16 (Telemecanique)	Solar membrannipple with PG11 / M16
S15 for connection box	7000mm (2-core)	XCKP2527P16 (Telemecanique)	Standard cable lead-in bush PG11 / M16
S16 for connection box	5000mm (2-core)	XCKP2527P16 (Telemecanique)	Standard cable lead-in bush PG11 / M16
S17 for connection box	3000mm (2-core)	XCKP2527P16 (Telemecanique)	Standard cable lead-in bush PG11 / M16
S18 for connection box	1500mm (2-core)	XCKP2527P16 (Telemecanique)	Standard cable lead-in bush PG11 / M16

H4541/H4543			
Switch no.	Length of cables	Limit switches	Cable lead-in bush
S10 for connection box	1500mm (3-core)	XCKP2527P16 (Telemecanique)	Standard cable lead-in bush PG11 / M16 (splash-proof)
S11 for connection box	12500mm (2-core)	XCKP2118P16 (Telemecanique)	Solar membrannipple with PG11 / M16
S12 for connection box	8500mm (2-core)	XCKP2118P16 (Telemecanique)	Solar membrannipple with PG11 / M16
S13 for connection box	6500mm (2-core)	XCKP2121P16 (Telemecanique)	Standard cable lead-in bush PG11 / M16
S14 for control unit	6000mm (2-core)	XCKP2118P16 (Telemecanique)	Solar membrannipple with PG11 / M16
S15 for connection box	8400mm (2-core)	XCKP2527P16 (Telemecanique)	Standard cable lead-in bush PG11 / M16
S16 for connection box	6200mm (2-core)	XCKP2527P16 (Telemecanique)	Standard cable lead-in bush PG11 / M16
S17 for connection box	3300mm (2-core)	XCKP2527P16 (Telemecanique)	Standard cable lead-in bush PG11 / M16
S18 for connection box	1500mm (2-core)	XCKP2527P16 (Telemecanique)	Standard cable lead-in bush PG11 / M16

CONTACTORS - FROM JULY 2019

H4441/H4443			
Switch no.	Length of cables	Limit switches	Cable lead-in bush
S10 for connection box	1500mm (3-core)	XCKP2527P16 (Telemecanique)	Standard cable lead-in bush PG11 / M16 (splash-proof)
S11 for connection box	11000mm (2-core)	XCKP2118P16 (Telemecanique)	Solar membrannipple with PG11 / M16
S12 for connection box	8200mm (2-core)	XCKP2118P16 (Telemecanique)	Solar membrannipple with PG11 / M16
S13 for connection box	7200mm (2-core)	FR531-H9M1J1 (Pizzato)	Standard cable lead-in bush PG11 / M16
S14 for control unit	5700mm (2-core)	XCKP2118P16 (Telemecanique)	Solar membrannipple with PG11 / M16
S15 for connection box	7000mm (2-core)	XCKP2527P16 (Telemecanique)	Standard cable lead-in bush PG11 / M16
S16 for connection box	5000mm (2-core)	XCKP2527P16 (Telemecanique)	Standard cable lead-in bush PG11 / M16
S17 for connection box	3000mm (2-core)	XCKP2527P16 (Telemecanique)	Standard cable lead-in bush PG11 / M16
S18 for connection box	1500mm (2-core)	XCKP2527P16 (Telemecanique)	Standard cable lead-in bush PG11 / M16
S19 for connection box	10500mm (2-core)	FR531-H9M1J1 (Pizzato)	Standard cable lead-in bush PG11 / M16
S21 for connection box	11170mm (2-core)	FR531-H9M1J1 (Pizzato)	Standard cable lead-in bush PG11 / M16
S22 for connection box	14570mm (2-core)	FR531-H9M1J1 (Pizzato)	Standard cable lead-in bush PG11 / M16

H4541/H4543			
Switch no.	Length of cables	Limit switches	Cable lead-in bush
S10 for connection box	1500mm (3-core)	XCKP2527P16 (Telemecanique)	Standard cable lead-in bush PG11 / M16 (splash-proof)
S11 for connection box	12500mm (2-core)	XCKP2118P16 (Telemecanique)	Solar membrannipple with PG11 / M16
S12 for connection box	8500mm (2-core)	XCKP2118P16 (Telemecanique)	Solar membrannipple with PG11 / M16
S13 for connection box	7200mm (2-core)	FR531-H9M1J1 (Pizzato)	Standard cable lead-in bush PG11 / M16
S14 for control unit	6000mm (2-core)	XCKP2118P16 (Telemecanique)	Solar membrannipple with PG11 / M16
S15 for connection box	8400mm (2-core)	XCKP2527P16 (Telemecanique)	Standard cable lead-in bush PG11 / M16
S16 for connection box	6200mm (2-core)	XCKP2527P16 (Telemecanique)	Standard cable lead-in bush PG11 / M16
S17 for connection box	3300mm (2-core)	XCKP2527P16 (Telemecanique)	Standard cable lead-in bush PG11 / M16
S18 for connection box	1500mm (2-core)	XCKP2527P16 (Telemecanique)	Standard cable lead-in bush PG11 / M16
S19 for connection box	10500mm (2-core)	FR531-H9M1J1 (Pizzato)	Standard cable lead-in bush PG11 / M16
S21 for connection box	11170mm (2-core)	FR531-H9M1J1 (Pizzato)	Standard cable lead-in bush PG11 / M16
S22 for connection box	14570mm (2-core)	FR531-H9M1J1 (Pizzato)	Standard cable lead-in bush PG11 / M16