

*Designed to supplement the Molnar Two Post Hoist range, the EP10 provides valuable extra clearance for vehicles with high or awkward pick-up points*

# EXTENSION PAD – EP10

**M  
O  
L  
N  
A  
R**



Specifically designed as an easy to use accessory for Molnar Two Post Hoists, the EP10 Extension Pad provides valuable extra clearance for vehicles with high or awkward pick-up points such as four-wheel-drives or vans. Easy to use, adjust and remove, this accessory instantly extends the range of your hoist.

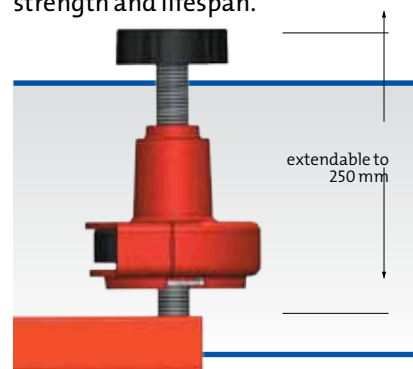
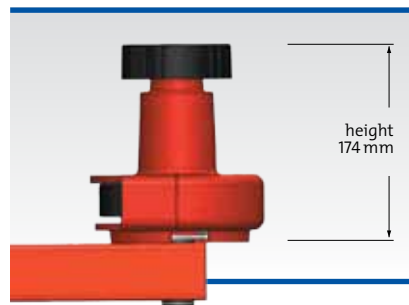
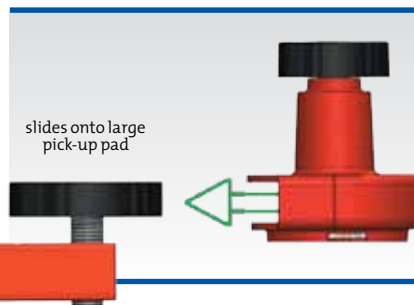
The EP10 suits any Molnar Two Post Hoist with the standard (140 mm) pick-up pads and is a safe and easy way of extending the working range of your hoist.

Each unit slides easily over existing pick-up pads, automatically locking into place for optimum security with quick release for easy removal. Once in place, the vehicle's running boards and body are clear and protected to ensure a safer lift.



Height is quick and easy to adjust, with a range of extension from 174 mm to 250mm to provide significant clearance between lifting arm and pick-up point.

Made from cast steel and powder coated for a durable finish, the EP10 uses Molnar vulcanised rubber pick-up pads provide superior grip, strength and lifespan.



*As the policy of Molnar Hoists is one of continuous improvement, the manufacturer reserves the right to change specifications without notice.*



*For more information, please contact us or your local Molnar Representative*

T 08 7120 8700 F 08 8346 0097  
E [sales@molnarhoists.com.au](mailto:sales@molnarhoists.com.au)  
[www.molnarhoists.com.au](http://www.molnarhoists.com.au)

**onwards & upwards**

