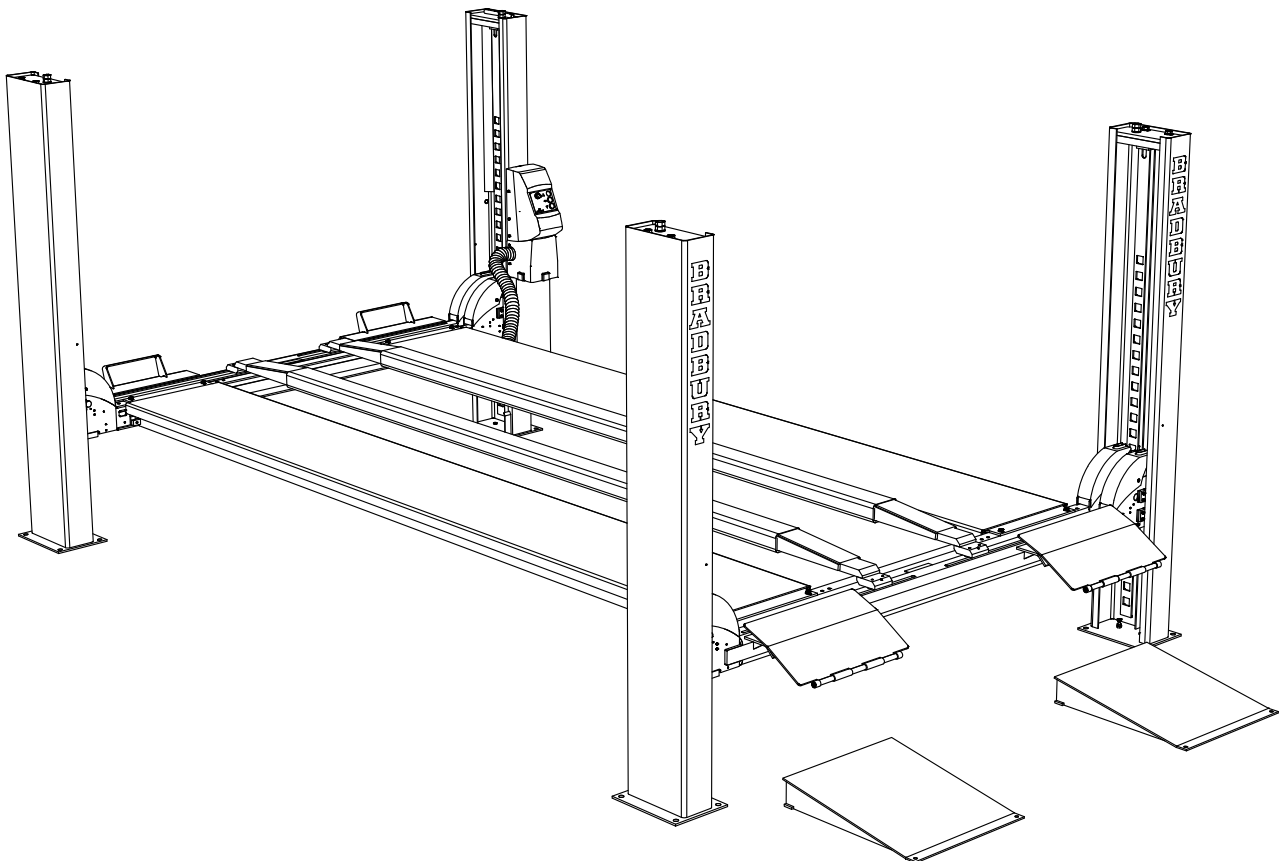


**T20617**

# H4443 / H4543

**WHEEL FREE**

**SPARE PARTS LIST (TRANSLATED VERSION)**



Bradbury Equipment  
153-165 Bridge Street  
GB- Northampton NN1 1QG  
England  
Tel. +44 (0) 1604 828 648

Date: 090512	Serial No:
Ref.: lje/gf	Pages: 21

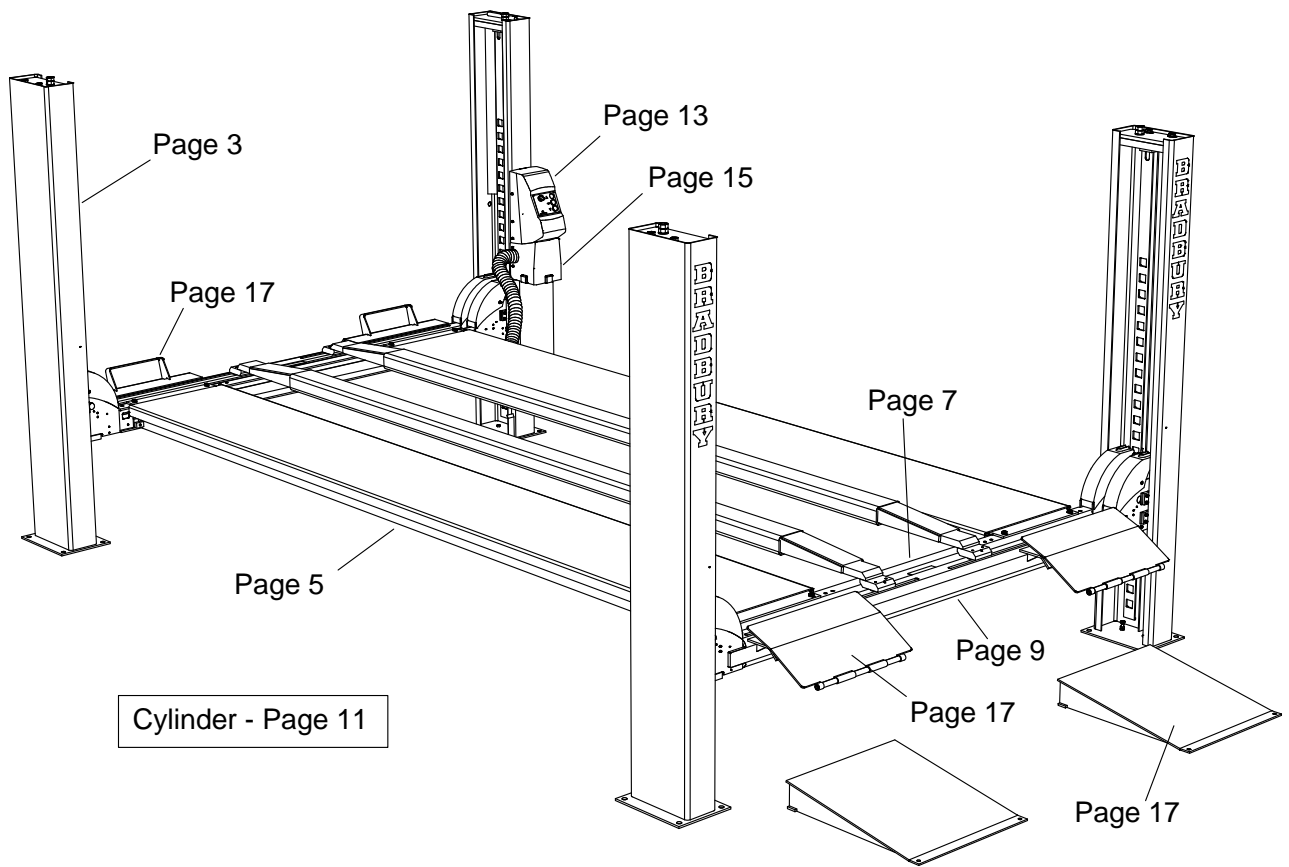
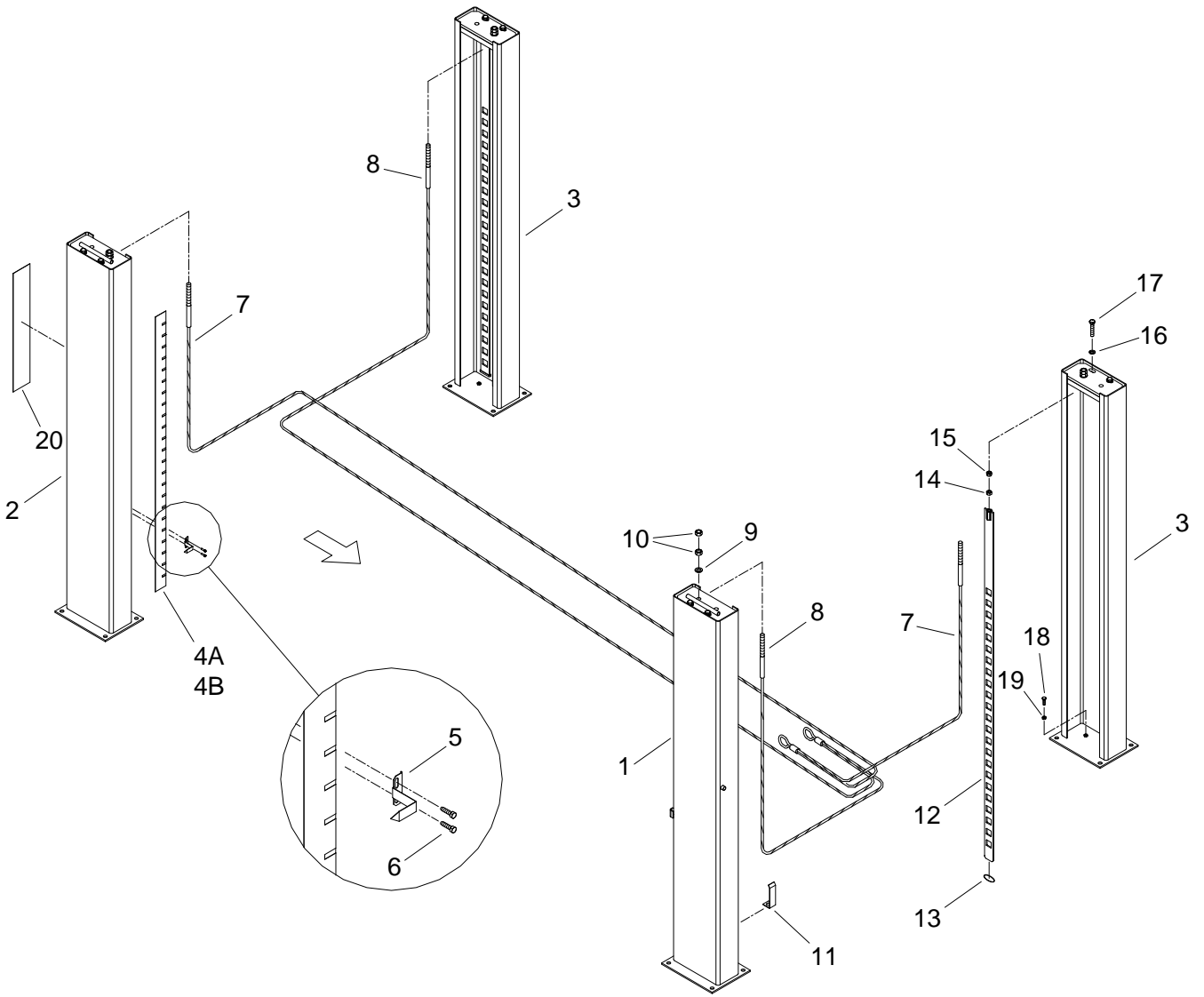
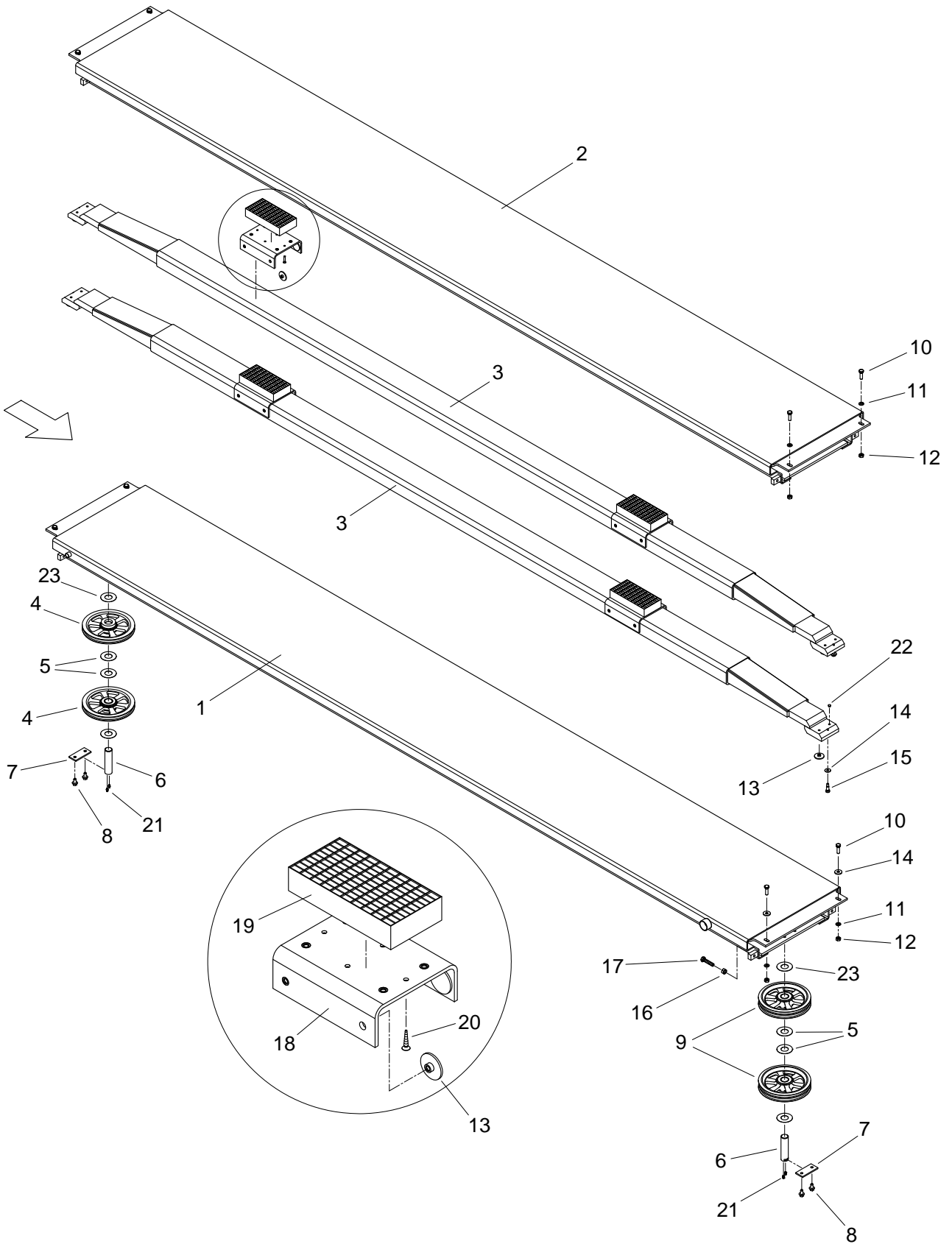


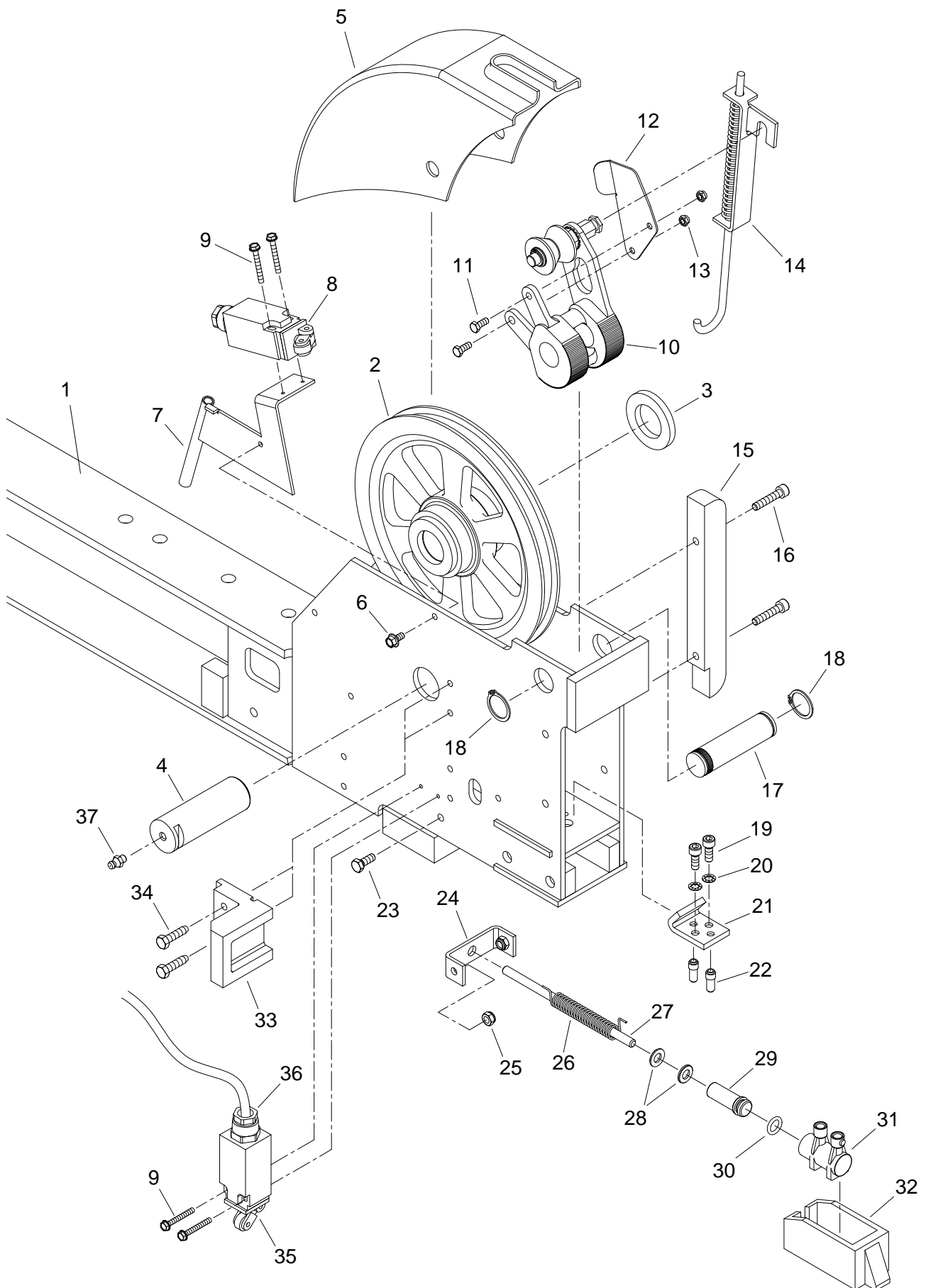
Table of contents .....	1-2
Posts.....	3-4
Platforms.....	5-6
Cross beam .....	7-8
Cross beam – wheel free.....	9-10
Cylinder.....	11-12
Control unit .....	13-14
Pump unit.....	15-16
Ramps – wheel stop .....	17-18
Accessories .....	19-20
Contactors .....	21



T20617		Posts				4
ITEM	QTY.	NO.	DESIGNATION			SPECIFIC.
1	1	673275	Control post			
2	1	673282	Post			
3	2	673274	Post			
4A	1	404443	Sticker (black figures)			
4B	1	404444	Sticker (White figures)			
5	1	474151	Indicating arrow			
6	2	259623	Taptite			M6x25
			<u>H4443</u>			
7	1	673240	Wire, ø12			4755/7490
8	1	673239	Wire, red, ø12			3190/9055
			<u>H4543</u>			
7	1	673242	Wire, ø12			4944/8874
8	1	673241	Wire, red, ø12			3400/10416
9	4	214608	Washer			
10	8	240380	Nut			M20
11	1	485225	Bracket			
12	8	673674	Ratchet rail			
13	8	212698	Rubber band			To 411A0166
13	8	212932	O-ring			From 411A0166
14	8	240361	Nut			M16
15	8	240919	Counter nut			M16
16	8	214606	Washer			
17	8	251575	Screw			M16x80
18	4	252163	Screw			M10x25
19	4	240327	Nut			M10
20	2	404927	Sticker			

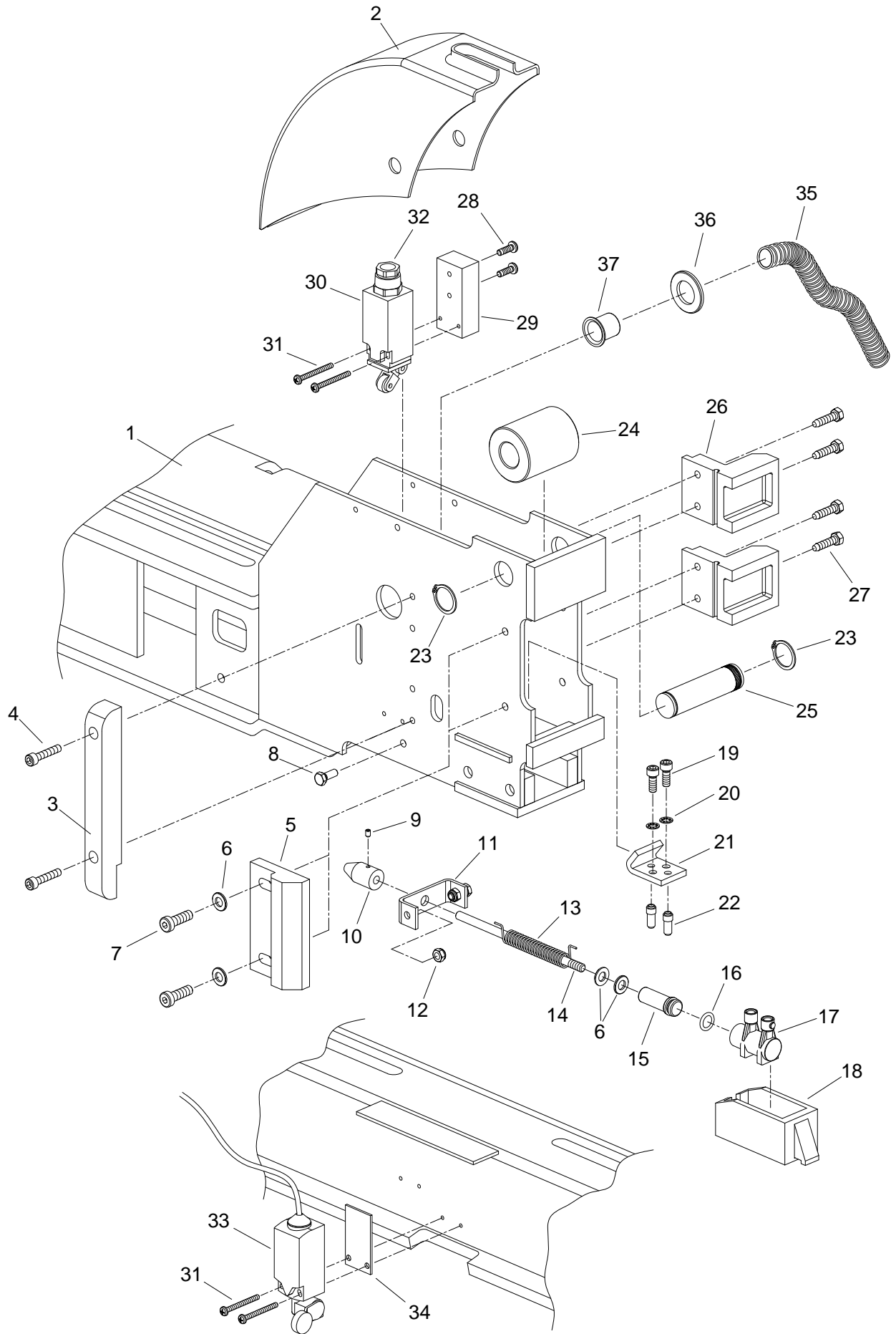


T20617		Platforms				6
ITEM	QTY.	NO.	DESIGNATION			SPECIFIC.
1	1	673373	Platform, left			H4443
1	1	673382	Platform, left			H4543
2	1	673372	Platform, right			H4443
2	1	673381	Platform, right			H4543
3	2	672596	Rail			H4443
3	2	672597	Rail			H4543
4	2	672630	Single-track cable pulley			
5	8	463450	Slide disc			
6	2	474012	Axle			H4443
6	2	473185	Axle			H4543
7	2	473291	Lock plate			
8	4	259630	Taptite			M10x20
9	2	672650	Double-track cable pulley			
10	8	252169	Screw			M10x35
11	8	214610	Washer			
12	8	240327	Nut			M10
13	36	473439	Sliding shoe			
14	12	214731	Washer			
15	4	259531	Studbolt			
16	8	240338	Nut			M12
17	8	252259	Screw			M12x55
18	4	474453	Adaptor			
19	4	290327	Rubber pad			
20	16	259957	Screw			M6x30
21	4	210219	Grease nipple			
22	8	213840	Plug			
23	2	473187	Washer			H4543

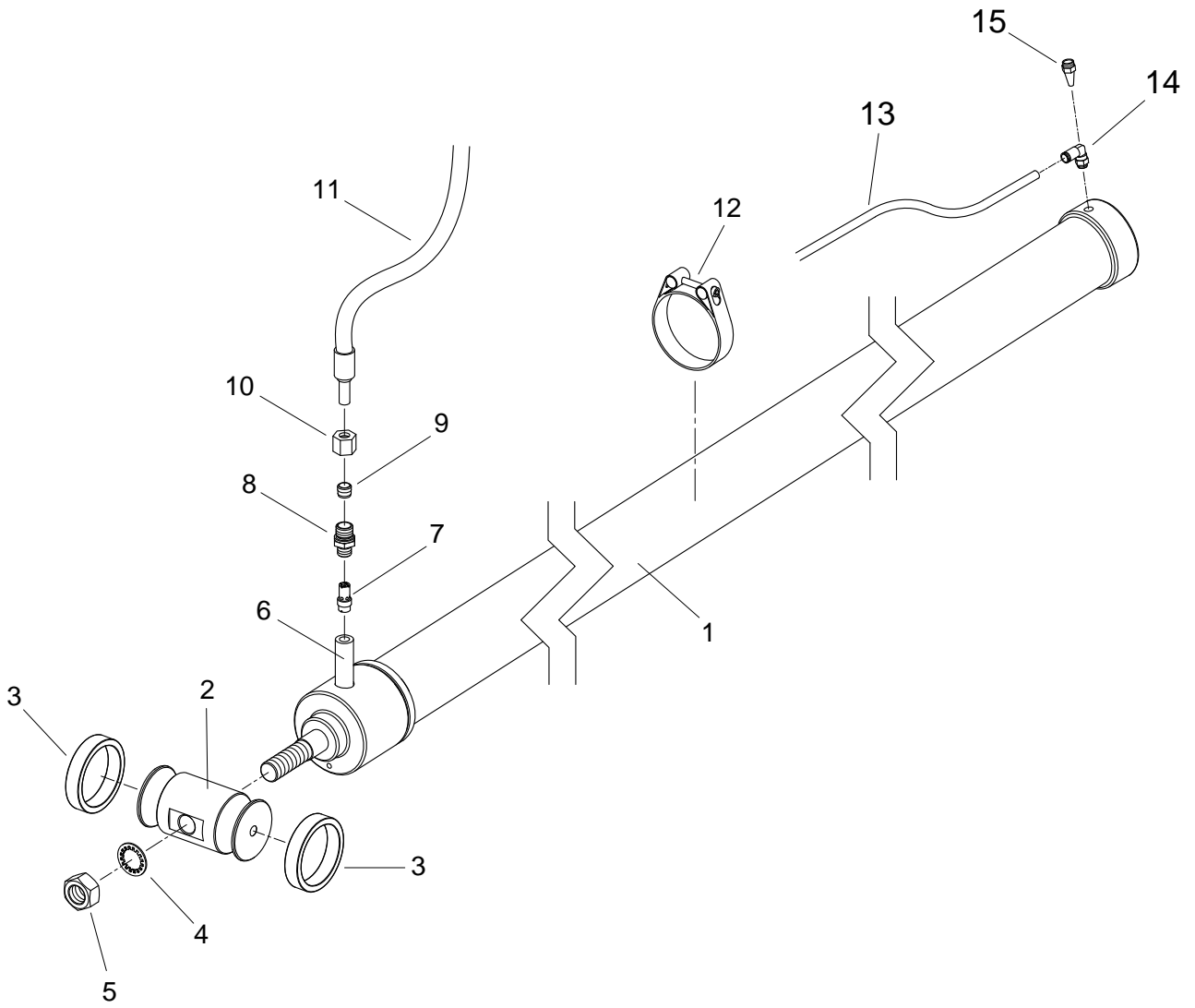




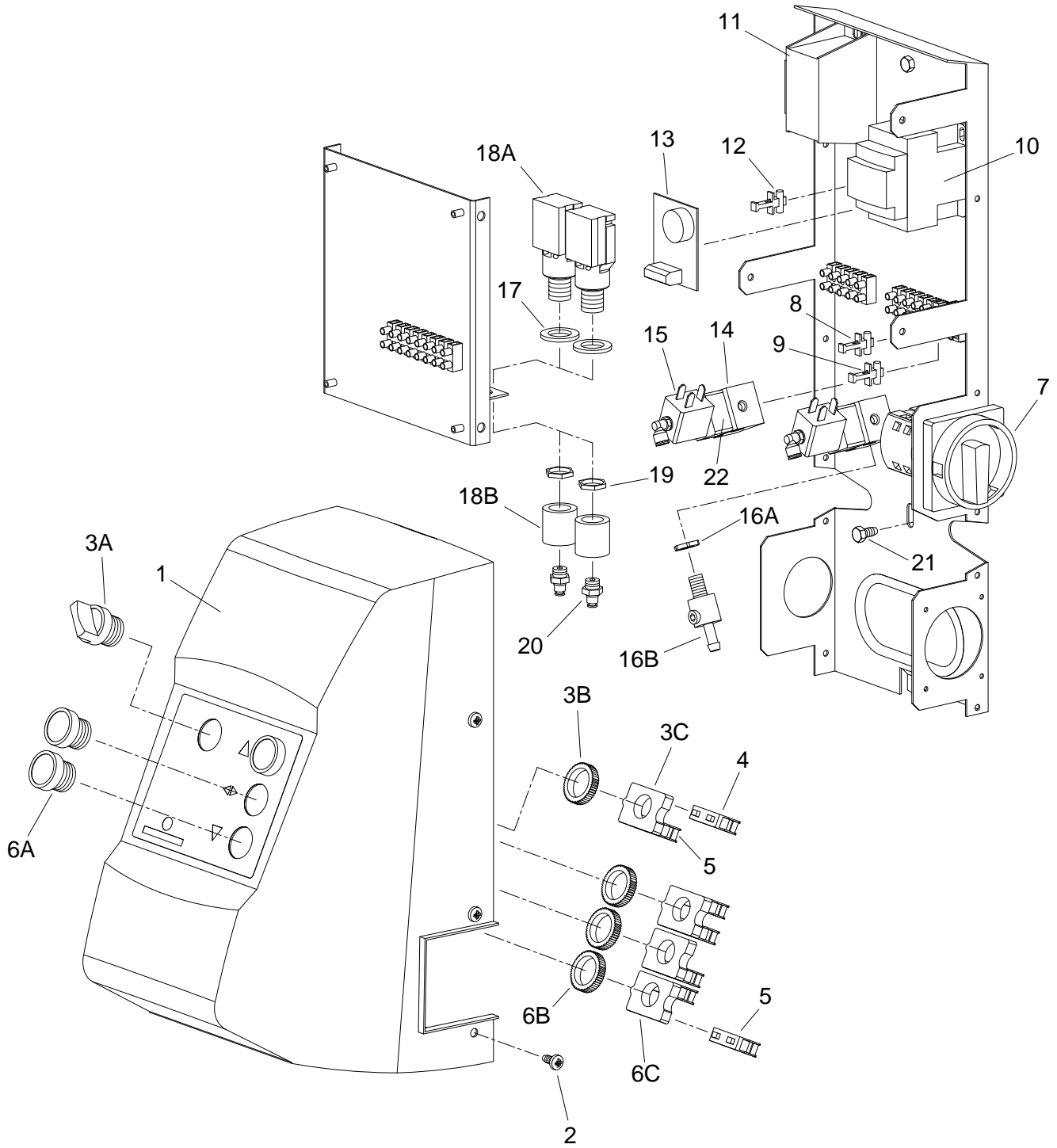
T20617		Cross beam				8
ITEM	QTY.	NO.	DESIGNATION			SPECIFIC.
1	2	673272	Cross beam			H4443
1	2	673280	Cross beam			H4543
2	4	672640	Single-track cable pulley			
3	8	473187	Distance washer			
4	4	834587	Axle			
5	4	474296	Guard, cable pulley			
6	4	259612	Taptite			
7	2	675009	Brace – left			
7	2	675011	Brace – right			
8	2	263407	Limit switch for obstruction			S15, S16, S17 and S18 M4x30 To may 2012
9	10	259609	Taptite			
10	2	755591	Eccentric brake, right (item 10, 11, 12, 13)			To may 2012
10	2	755592	Eccentric brake, left (item 10, 11, 12, 13)			To may 2012
10	2	755428	Eccentric brake, right			From may 2012
10	2	755429	Eccentric brake, left			From may 2012
11	8	251941	Screw			
12	2	472021	Breaker, right			
12	2	472022	Breaker, left			
13	8	240911	Nut			
14	4	672531	Drawing device			
15	4	474442	Slideblock			
16	8	253637	Screw			
17	4	473141	Axle			
18	8	211737	Retaining ring			
19	8	252851	Screw			
20	8	214817	Washer			
21	4	473133	Holder for hose			
22	8	473292	Pipe			
23	8	251342	Screw			
24	4	473142	Bow			
25	8	240909	Nut			
26	4	317540	Spring			
27	4	473265	Neck screw			
28	8	214602	Washer			
29	4	460270	Piston			
30	4	212908	O-ring			
31	4	473242	Air cylinder			
32	4	139890	Ratchet			
33	4	473131	Slideblock			
34	8	259623	Taptite			
35	1	263407	Bottom limit switch			S10
36	1	262306	Cable lead-in bush			
37	4	210219	Grease nipple			



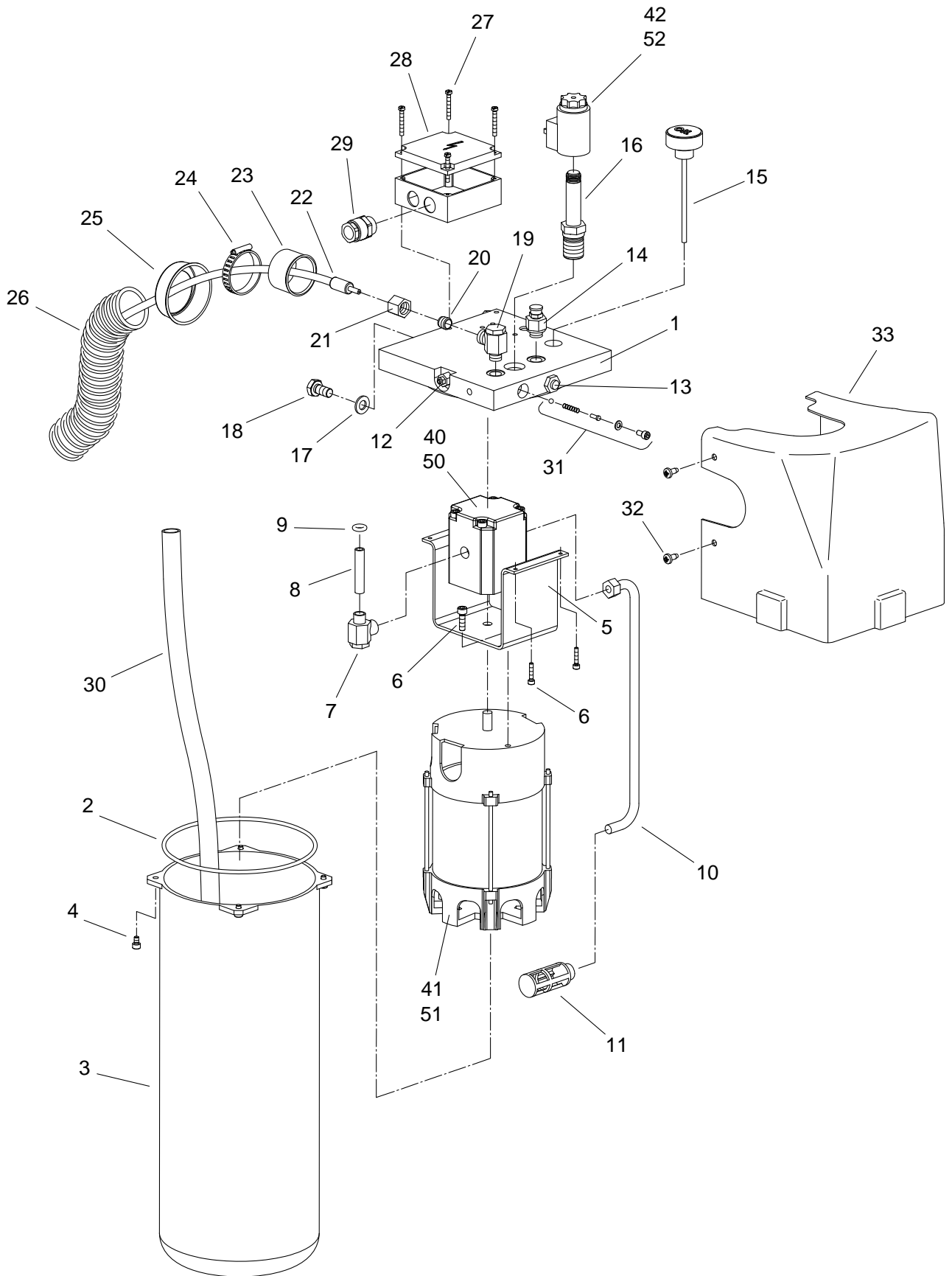
T20617		Cross beam – wheel free				10
ITEM	QTY.	NO.	DESIGNATION			SPECIFIC.
1	2	673273	Cross beam			H4443
1	2	673277	Cross beam			H4543
2	4	474296	Guard, cable pulley			
3	4	474442	Slideblock			
4	8	253637	Screw			
5	4	474421	Slideblock			
6	16	214602	Washer			
7	8	252936	Screw			
8	8	251342	Screw			
9	1	255517	Pointed screw			
10	1	474423	Limit switch			
11	4	473142	Bow			
12	8	240909	Nut			
13	4	317540	Spring			
14	4	473265	Neck screw			
15	4	460270	Piston			
16	4	212908	O-ring			
17	4	473242	Air cylinder			
18	4	474425	Ratchet			
19	8	252851	Screw			
20	8	214817	Washer			
21	4	473133	Holder for hose			
22	8	473292	Pipe			
23	8	211737	Retaining ring			
24	4	474422	Roller			
25	4	473141	Axle			
26	8	473131	Slideblock			
27	16	259623	Taptite			
28	2	259648	Screw			
29	1	474428	Distance piece			
30	1	263403	Limit switch			S13
31	8	259629	Taptite			M4x40
32	1	262306	Cable lead-in bush			
33	1	263271	Limit switch			S11, S12, S14
34	16	474440	Distance piece			
35	3	265426	Protecting hose			
36	2	214608	Washer			
37	2	212460	Bearing			



T20617		Cylinder				12
ITEM	QTY.	NO.	DESIGNATION			SPECIFIC.
		755658	<u>Cylinder cpl. with return hose</u>			
1	1	290366	Cylinder with return hose			
2	1	473424	Yoke			
3	2	474202	Spacer ring			
4	1	214832	Washer			
5	1	240466	Nut			M20
6	1	271201	Nipple pipe			
7	1	214396	Flow restricting valve			10l./min.
8	1	223455	Connecting socket			
9	1	219106	Cutting ring			
10	1	219206	Union nut			
11	1	213565	High pressure hose			H4443
11	1	213384	High pressure hose			H4543
12	1	213429	Clamp			
13	1	213854	Hose			From June 07
14	1	219458	Hose coupling			From June 07
15	1	213863	Air filter			To June 07
	1	792425	Stuffing box cpl. (for red or grey AC-cylinder)			To 408A0001
	1	792408	Seal kit inc. stuffing box (for black or white Bütter-cylinder)			From 408A0001
	1	792426	piston seals kit			



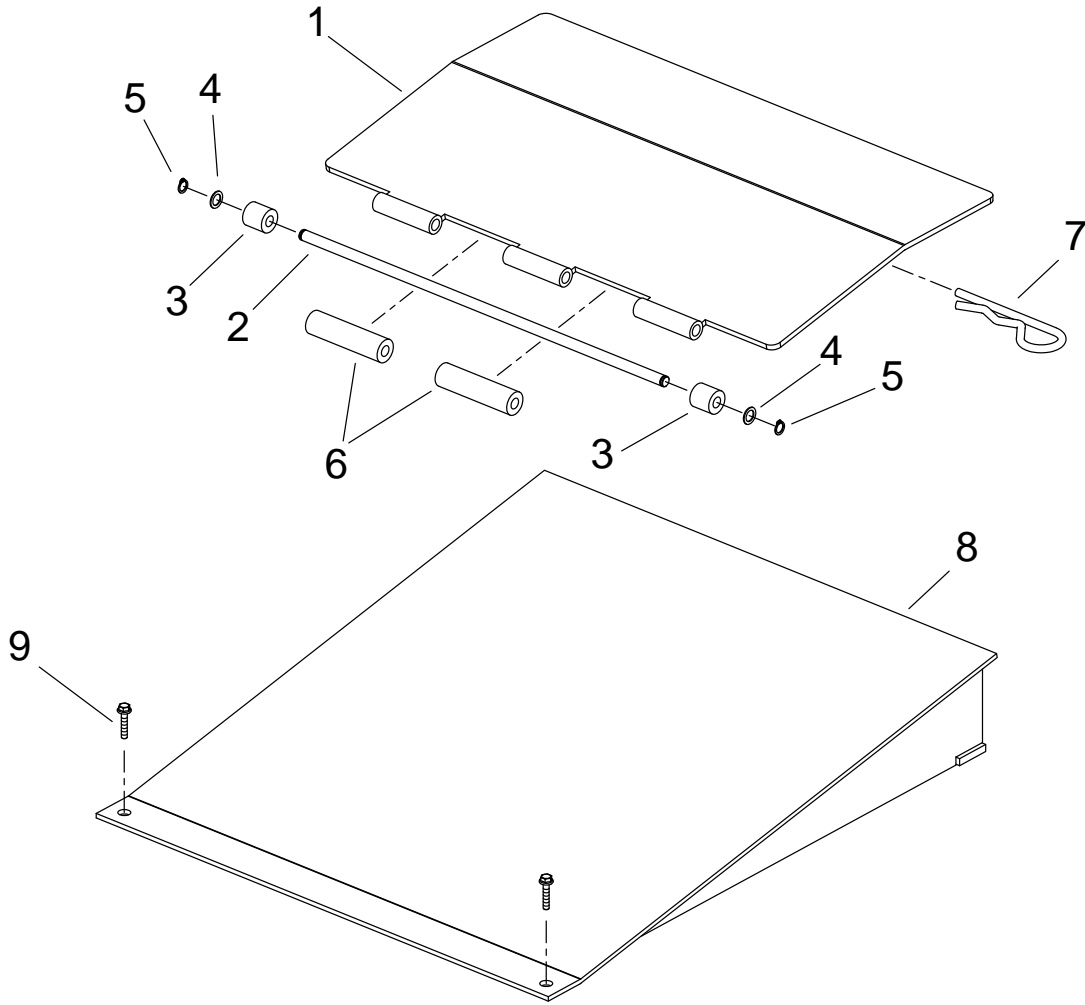
T20617		Control unit				14
ITEM	QTY.	NO.	DESIGNATION			SPECIFIC.
1	1	265264	Front cover			
2	6	259618	Taptite			M6x12
3A-3C	1	265322	Rotary switch			
4	1	265424	Contact element			1NC
5	6	265423	Contact element			1NO
6A-6C	2	265318	Pushbutton			
8	1	265164	Fuse F3			5 At
9	1	265107	Fuse F2			315mAt
11	1	265102	Transformer			
12	1	265106	Fuse F1			1 At
13	1	265428	Circuit board			
14	1	265430	Base for solenoid valve			
15	1	265115	Coil			
16A-B	1	474024	Hose union			
17	2	488140	Washer			
18A-B	2	265113	Pressure switch			
19	2	240923	Nut			
20	2	265406	Hose coupling			
21	2	259624	Taptite			M6x12
22	2	265095	Solenoid valve			
		756684	<u>Control unit cpl.</u>			
7	1	265505	Main switch			400/3/50
10	1	265109	Contactactor			
		756685	<u>Control unit cpl.</u>			
7	1	265518	Main switch			230/1/50-60
10	1	265289	Contactactor			



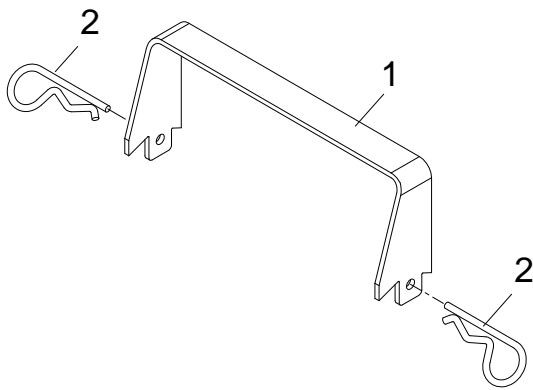


T20617		Pump unit				16
ITEM	QTY.	NO.	DESIGNATION			SPECIFIC.
2	1	212250	O-ring			
3	1	271175	Oil tank			
4	4	252844	Screw			M6x8
5	1	271177	Bracket			
6	5	252897	Screw			M8x16
7	1	220426	Elbow union			
8	1	474121	Pipe			
9	1	212253	O-ring			
10	1	474122	Suction pipe			
11	1	290358	Suction filter			
12	1	214198	Safety valve			
13	1	214199	Emergency lowering valve			
14	1	214629	Coupling for pressure gauge			
15	1	290314	Dip-stick			
16	1	214285	Valve insert			
17	2	214610	Washer			
18	2	252161	Screw			M10x20
19	1	220422	Elbow union			
20	1	219106	Cutting ring			
21	1	219206	Union nut			
22	1	213565	High pressure hose			H4443
22	1	213384	High pressure hose			H4543
23	1	474142	Pipe socket			
24	2	213430	Clip			
25	1	474124	Cover for protecting hose			
26	1	265151	Protecting hose			
27	4	253548	Screw			M4x45
28	1	265179	Terminal box			
29	1	262208	Cable lead-in bush			
30	1	474123	Return pipe			
31	1	214698	Non-return valve cpl.			
32	4	259613	Taptite			M5x10
33	1	474119	Front cover			
			<u>3x230/400V – 50Hz</u> <u>(24V)</u>			H4443
40	1	756374	Pump unit complete			230 bar
		271154	Pump			10 l./min.
41	1	260013	Electric motor			
42	1	265073	Solenoid coil			24V
			<u>3x230/400V – 50Hz</u> <u>(24V)</u>			H4543
		756376	Pump unit complete			300 bar
50	1	271156	Pump			7,4 l./min.
51	1	260013	Electric motor			
52	1	265073	Solenoid coil			24V
	1	792434	Seal kit for valve insert (item 16)			

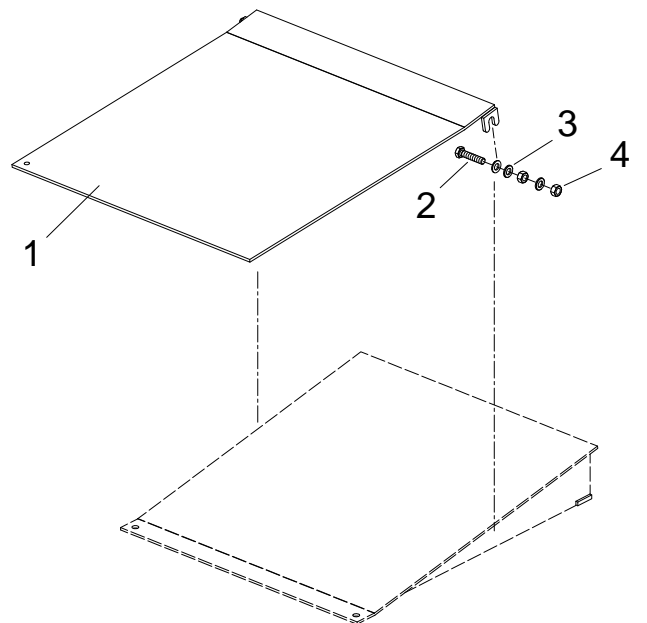
A



B

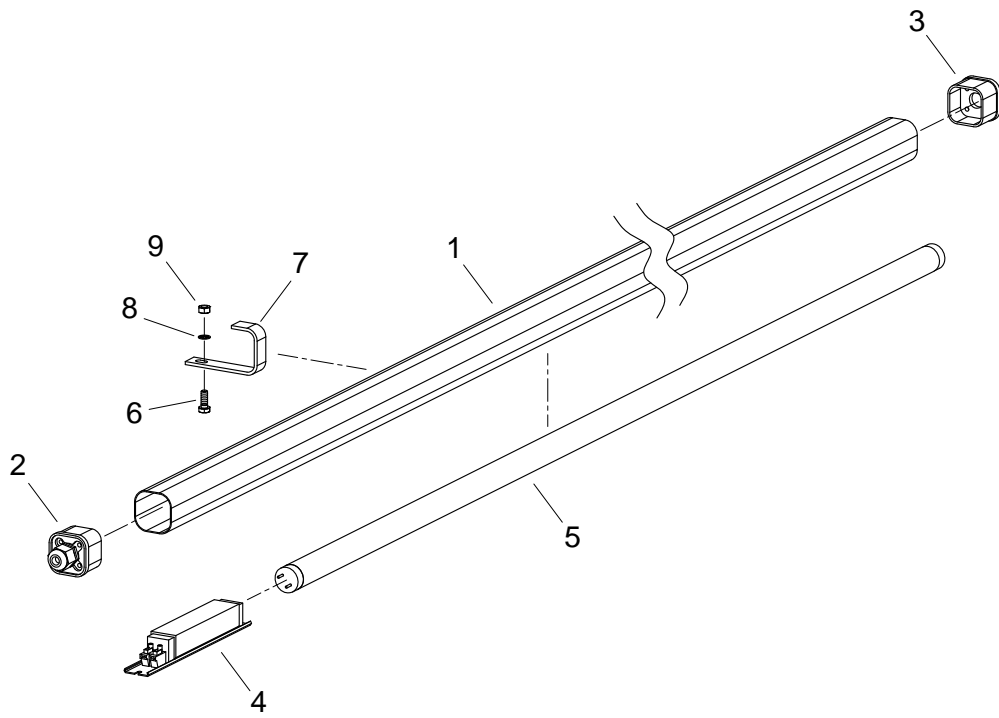


C

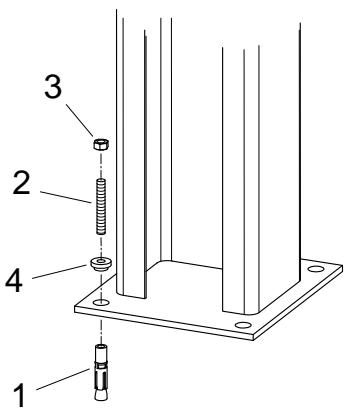


T20617		Ramps – wheel stop				18
ITEM	QTY.	NO.	DESIGNATION			SPECIFIC.
		75539	<u>Set of drive-on ramps ( A )</u>			
1	2	672588	Drive-on ramp			
2	2	394326	Axle			
3	4	394367	Roller			
4	4	214674	Washer			
5	4	211716	Retaining ring			
6	4	394347	Roller			
7	4	290310	Snap pin			Ø8
8	2	672587	Floor-mounted ramp			
9	4	259822	Bolt			
		672659	<u>Set of wheel-stops ( B )</u>			
1	2	473221	Wheel-stop			
2	4	290311	Snap pin			Ø6
		755533	<u>Set of extensions for floor-mounted ramps ( D )</u>			
1	2	673413	Ramp extension			
2	4	252259	Screw			M12x55
3	12	214611	Washer			
4	8	240338	Nut			M12

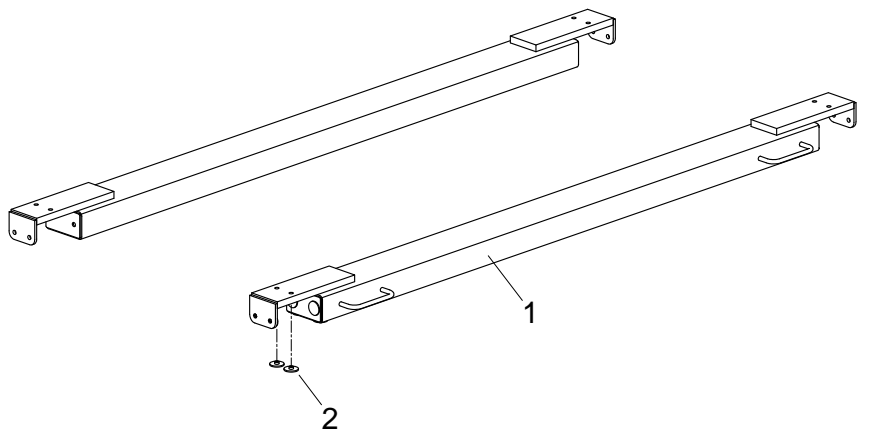
E



F



G



T20617		Accessories				20
ITEM	QTY.	NO.	DESIGNATION			SPECIFIC.
		758933	<u>Lightning set cpl. ( E )</u>			
		755508	Fittings right			5200mm cable
		755509	Fittings left			3000mm cable
1	2	265308	Protecting tube			
2	2	265307	End cover with cable lead-in bush			
3	2	265306	End cover			
4	2	265327	Transformer			
5	4	262357	Fluorescent tube			
6	8	251342	Screw			
7	8	474125	Pipe strap			M6x8
8	8	214817	Washer			
9	8	240308	Nut			
		659901	<u>Expansion bolts ( F )</u>			
1	16	249936	Expansion bolt			M10
2	16	249945	Stud bolt			M10x70
3	16	240327	Nut			M10
4	16	466800	Retaining ring			
		756716	<u>Cross beams for rails – set ( G )</u>			H4443
		756717	<u>Cross beams for rails – set ( G )</u>			H4543
1	2	672598	Cross beam for rail			H4443
1	2	672599	Cross beam for rail			H4543
2	32	473439	Sliding shoe			

Revision: 050607

<b>H4443 Wheel-free</b>			
<b>Switch no.</b>	<b>Length of cables</b>	<b>Limit switches</b>	<b>Cable lead-in bush</b>
S10 for connection box	1500mm (3-core)	XCKP2527P16 (Telemecanique)	Standard cable lead-in bush. PG11 / M16 (splash-proof)
S11 for connection box	11000mm (2-core)	XCKP2118P16 (Telemecanique)	Standard cable lead-in bush PG11 / M16
S12 for connection box	8200mm (2-core)	XCKP2118P16 (Telemecanique)	Standard cable lead-in bush PG11 / M16
S13 for connection box	6500mm (2-core)	XCKP2121P16 (Telemecanique)	Standard cable lead-in bush PG11 / M16
S14 for control unit	5700mm (2-core)	XCKP2118P16 (Telemecanique)	Solar membrannipple with PG11 / M16
S15 for connection box	7000mm (2-core)	XCKP2527P16 (Telemecanique)	Standard cable lead-in bush PG11 / M16
S16 for connection box	5000mm (2-core)	XCKP2527P16 (Telemecanique)	Standard cable lead-in bush PG11 / M16
S17 for connection box	3000mm (2-core)	XCKP2527P16 (Telemecanique)	Standard cable lead-in bush PG11 / M16
S18 for connection box	1500mm (2-core)	XCKP2527P16 (Telemecanique)	Standard cable lead-in bush PG11 / M16

<b>H4543 Wheel-free</b>			
<b>Switch no.</b>	<b>Length of cables</b>	<b>Limit switches</b>	<b>Cable lead-in bush</b>
S10 for connection box	1500mm (3-core)	XCKP2527P16 (Telemecanique)	Standard cable lead-in bush. PG11 / M16 (splash-proof)
S11 for connection box	12500mm (2-core)	XCKP2118P16 (Telemecanique)	Standard cable lead-in bush PG11 / M16
S12 for connection box	8500mm (2-core)	XCKP2118P16 (Telemecanique)	Standard cable lead-in bush PG11 / M16
S13 for connection box	6500mm (2-core)	XCKP2121P16 (Telemecanique)	Standard cable lead-in bush PG11 / M16
S14 for control unit	6000mm (2-core)	XCKP2118P16 (Telemecanique)	Solar membrannipple with PG11 / M16
S15 for connection box	8400mm (2-core)	XCKP2527P16 (Telemecanique)	Standard cable lead-in bush PG11 / M16
S16 for connection box	6200mm (2-core)	XCKP2527P16 (Telemecanique)	Standard cable lead-in bush PG11 / M16
S17 for connection box	3300mm (2-core)	XCKP2527P16 (Telemecanique)	Standard cable lead-in bush PG11 / M16
S18 for connection box	1500mm (2-core)	XCKP2527P16 (Telemecanique)	Standard cable lead-in bush PG11 / M16