



STENHØJ AUSTRALIA

PRODUCT INFO 28th of December 2017



NEW STENHØJ JACKING BEAM

MICRO 20/4488

FOR MOLNAR 4488 4-POSTS



Capacity

2000 kg

- Air-Hydraulic
- Mechanical parking system
- Non-return valve
- Air pressure 5,5-8,5 bar



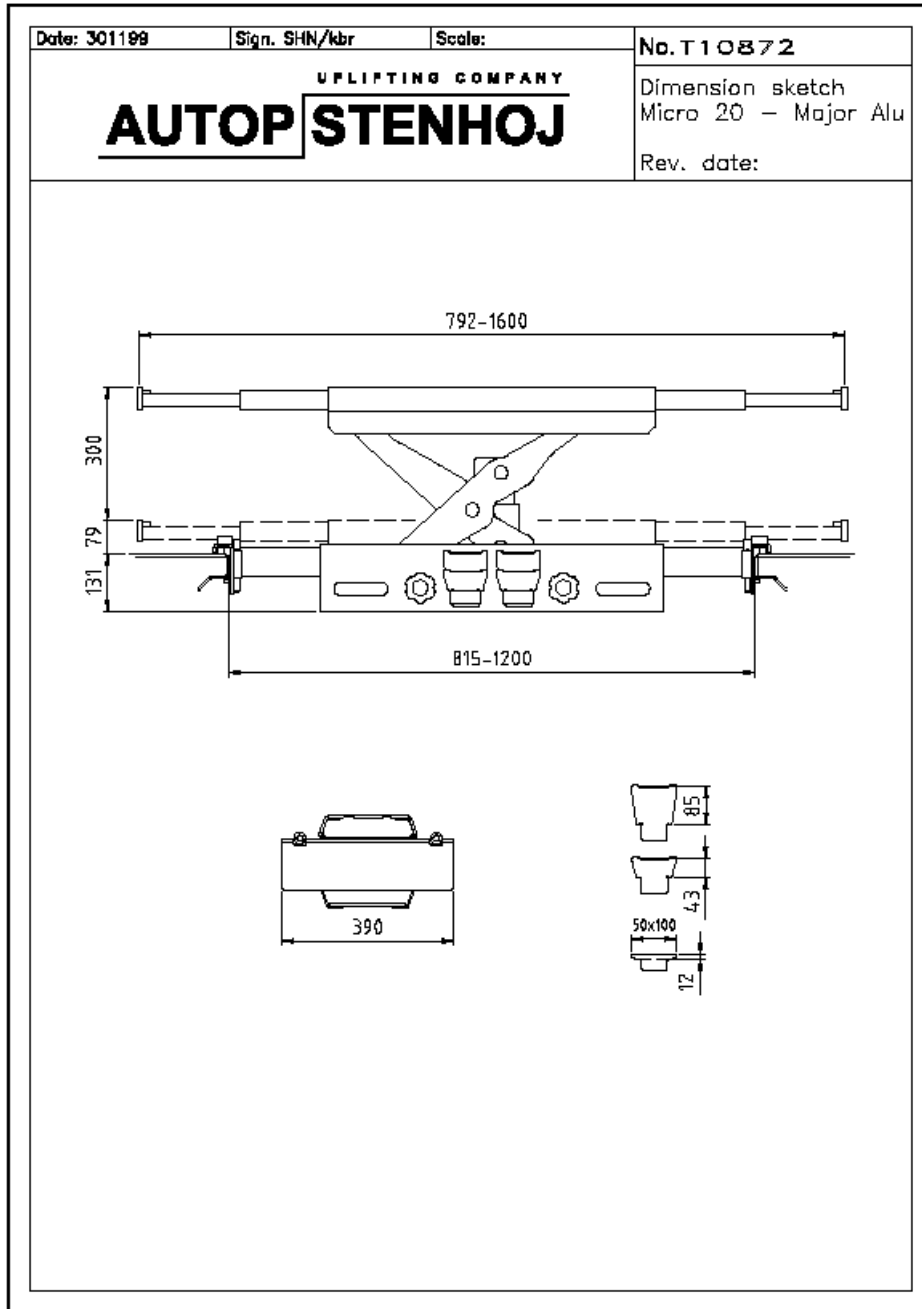
STENHØJ AUSTRALIA



2- Hand operation (grip from both handle at the same time)



- Double arm extension
- Galvanized arms
- 4 different pads included



(dimensions only as a reference)



3	2		Molnar platform
2	2	793190	Sidepiece cpl. Micro 20-4488 for Molnar
1	1	793101	Micro 20 Atrihydraulic
Nr.	Stk.	Varenummer	Beskrivelse

Rev. No.	Revision History	Rev. date	Rev. sign.

Not specified tolerances are according to fol. grp. D/EN ISO 8015 (ISO 2788-4-L.)

Material:
Material Quality:
Internal Material No.:
Weight: N/A

Projection: Date: 18-01-2017
Sign: PEH

Description: Micro 20-4488, lufthyd, Ral 9006 for Molnar

No. 002987

Scale: 0,10 : 1 Format: A3 Sheet: 1 of 1

STENHØJ A/S

Suitable for Molnar 4488 "standard" and "Wide" versions

**AVAILABLE FROM ADELAIDE WAREHOUSE
(Made in Denmark)**

Call 1300 665 627
info@molnarhoists.com.au

MOLNAR
3 Graham Street
Export Park, 5950 SA