

installation & operation  
instructions

**5001005 □ 2P3T**  
**5001006 □ 2P4T**  
**5001007 □ 2PAS**

# Wheel Holders

## with *SECURi-T* Restraint System



Molnar Hoists Wheel Holders have been designed specifically for Molnar 2 Post Hoists to safely hold and retain wheels removed during vehicle servicing.

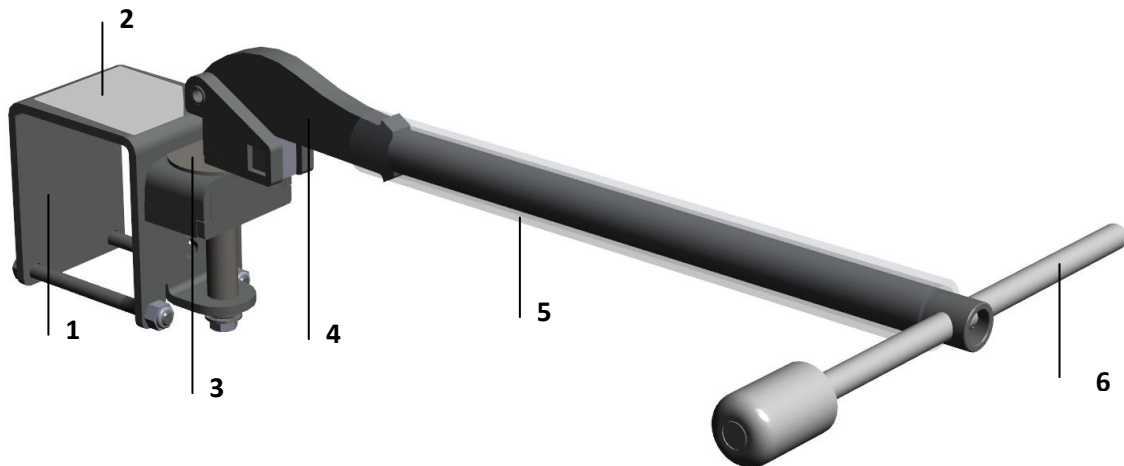
Using the Molnar Hoists *SECURi-T* Retaining Rod prevents the wheel from dislodging when lowering a vehicle while the wheels are off (common during servicing) or if accidentally knocked while servicing; the wheels always remain retained.

When not in use, the *SECURi-T* Retaining Rod stores neatly and safely in the end of the Wheel Holder Tube. The Molnar Hoists Wheel Holder is designed to locate safely out of the way of the operator when not in use, neatly against the hoist arm.

Molnar Hoists Wheel Holders are designed only to be used for holding vehicle wheels and should not be used for supporting other items.

### MOLNAR HOISTS WHEEL HOLDER RATING

Maximum Wheel & Tyre Load Capacity: **45 kg per Arm**



### PARTS LIST

ITEM NO.	MOLNAR HOISTS PART NUMBER	DESCRIPTION
1A	5040001	Wheel Holder 2P3T Base Assembly
1B	5040002	Wheel Holder 2P4T Base Assembly
1C	5040003	Wheel Holder 2P Asymmetric Base Assembly
2	5040006	Wheel Holder Arm Decal
3	5040008	Arm Pivot Washer
4	5040007	Wheel Holder Arm Assembly
5	5040005	Wheel Holder Protective Cover Tube
6	5040004	SECURi-T Retaining Rod

## INSTALLATION

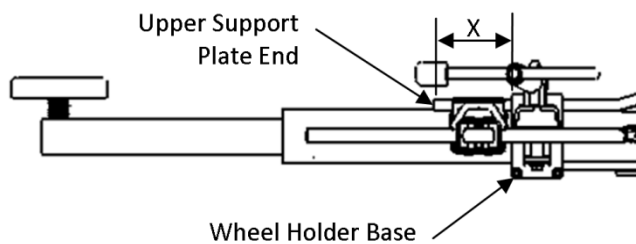
**Step 1.** Obtain 2 x 13mm spanners and raise the Hoist arms to comfortable working height.

**Step 2.** Place bracket of the Base Assembly over the hoist arm with the pivot out and to the top.

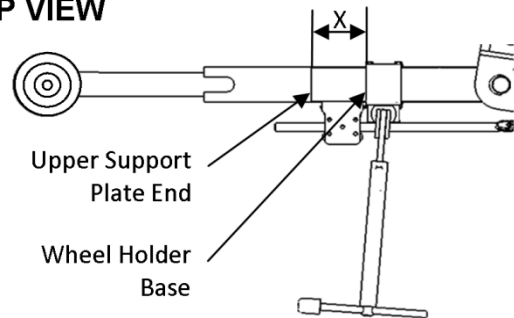
**Step 3.** Position the Wheel Holder Base a distance (X) from the end of the Upper Support Plate on the Molnar 2 Post Hoist Arm as specified, see diagram for details:

A.	3T Arms or AS Long Arm (5040001)	X = 25mm
B.	2P4T Arms (5040002):	X = 115mm
C.	AS Short Arm (5040003):	X = 75mm

### 2 Post Hoist Arm with Wheel Holder SIDE VIEW



### 2 Post Hoist Arm with Wheel Holder TOP VIEW



**Step 4.** Put the bolts through the Base bracket holes with so the threaded end protrudes on the outside then put on and tighten the lock nuts.

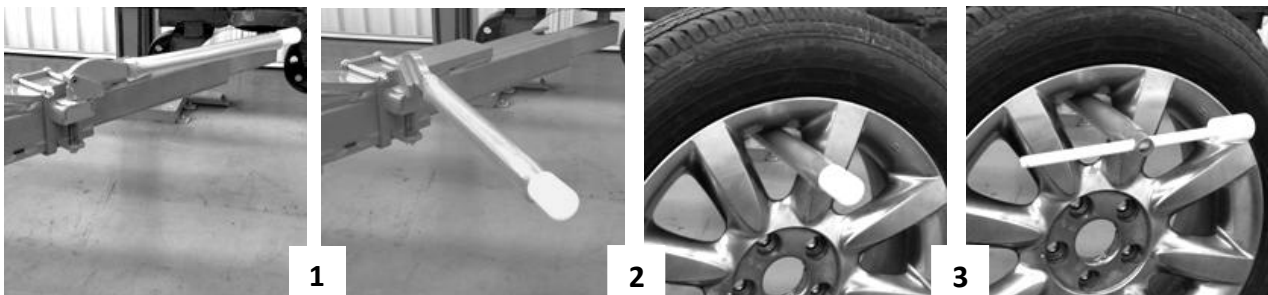
**Step 5.** Ensure SECURI-T Retaining Rod is securely located inside the Wheel Holder Arm and placed against the hoist arm to store out of the way until required for use. Repeat steps for each arm.

## OPERATION

**Step 1.** Position Wheel Holder in comfortable and accessible position.

**Step 2.** Remove Wheel (Max. 45 kg) from Vehicle and locate securely on Wheel Holder; the wheel must not be resting on the head of the Retaining Rod.

**Step 3.** Remove the SECURI-T Retaining Rod from the centre of the Wheel Holder Arm and locate it crossways through the holes at the end of the Wheel Holder Arm tube ensuring that roughly the same amount of the Retaining Rod protrudes from either side. See diagrams below for operation steps.



- Replace Retaining Rod firmly into Wheel Holder Arm Tube after use.
- Locate Wheel Holder against Hoist arm when not in use to keep from obstructing movement.
- Monthly check bolts for tightness and parts for deterioration. Replace any damaged components.

*For more information, please contact us or your local Molnar Representative*

16-20 Coglein Street Brompton SA 5007 Australia  
T 08 7120 8700 F 08 8346 0097 E info@molnarhoists.com.au  
www.molnarhoists.com.au



*onwards & upwards*

