

*Ideal for tyres, 3000 kg capacity
movable, mid-rise scissor lift*

Nussbaum

SPRINTER MOBIL 3000

made
in
Germany



The midrise lift SPRINTER MOBIL 3000 is an efficient and mobile solution for tyre service, painting and body work. With almost one metre lifting height, the SPRINTER MOBIL covers 90% of all activities in the workshop. Thanks to the Mobile-Set, you can move the lift without any problem. This midrise lift picks up vehicles up to 3000kg.

FEATURES

- Three tonne mid-rise scissor lift
- Lifting on sill panel
- For tire, brake and body service lift
- Nussbaum full hydraulic system
- Redundant cylinder safety
- Electronic components not required
- No compressed air required
- Minimum space requirement
- Quiet & compact oil-submerged motor
- Adjustable runway length
- Galvanized, non-slip platforms
- Possible in ground installation
- Optional Mobile Set
- Delivered complete, no assembly required
- Originally developed and produced by Nussbaum
- Made in Germany



*Molnar Hoists are the Australian agents for Nussbaum,
for more information, please contact us on:*

T 08 7120 8700 or 1300 MOLNAR (within Australia) **F** 08 8346 0097
E sales@molnarhoists.com.au **www.molnarhoists.com.au**

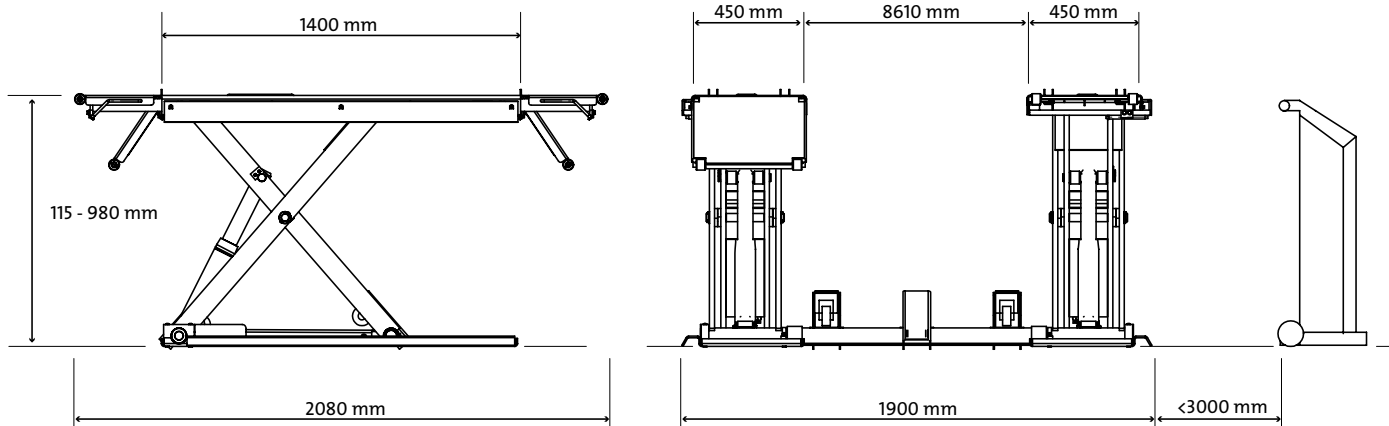
onwards & upwards

Nussbaum

SPRINTER MOBIL 3000

made
in
Germany

3 TONNE MID-RISE SCISSOR LIFT



PRODUCT SPECIFICATIONS

Footprint	2080 x 1900 mm
Length	2080 mm
Width	1900 mm
Height	115 – 980 mm
Lifting Capacity	3000 kg
Maximum Raised Height	980 mm
Minimum Lowered Height	115 mm
Minimum Lifting Time	11 seconds
Platform Width	450 mm
Platform Length	1400 - 2080 mm (Adjustable)
Motor	3 Phase, 3 kW, 400 V, 50 Hz
Required Air to Control Unit	N/A
Required Fuse	16 A
Finish	Powder Coated with Galvanised Platforms
Concrete Depth	Thickness 160mm, Quality C20/25 (B25)
Hydraulic Oil	High quality, 32 weight, anti-wear
Gross Weight	600 kg
Warranty	12 Months

Manufacturer reserves the right to change specifications without notice.

FEATURES

Operational	Push buttons for raise & lower
	Adjustable runway length
	Polymer pads included for sill panel pick up
Safety	Flow control valve (controls raise and lower speed)
	Pressure relief valve (prevents overload)
	Foot protector
	Lockable main switch
	Deadman controls (automatic stop when released)
	Meets Australian Standards AS/NZ 1418.9:1996
	Design Registration Number SD-20122271-1
Documentation	Delivered assembled. Comprehensive service manuals included

ACCESSORIES

Mobil-Set	Mobile Set attachment for moving lift
Crossbar	Aluminium with transversally adjustable pick up pads.
Polymer pad	Two sizes [50 x 150 x 340mm] or [100 x 150 x 340mm]
Tuning ramps	For low or sports cars set (4 ramps in a set)

OPTIONS

	Fire galvanization of scissors and base plate for corrosive environment
	Special colour with RAL-Colour Powder coating



Molnar Hoists are the Australian agents for Nussbaum,
for more information, please contact us on:

T 08 7120 8700 or 1300 MOLNAR (within Australia) F 08 8346 0097
E sales@molnarhoists.com.au www.molnarhoists.com.au

onwards & upwards