

The Two Post Hoist built for the professional mechanic, Molnar's M245 'Universal' optimises workshop space for enhanced efficiency and reduced cost of ownership.

TWO POST HOIST

**M
O
L
N
A
R**



With a 4.5 tonne capacity and fast lift speed, the M245 'Universal' Two Post Hoist is the professional choice.

A range of options are available including increased height, extended width, low arms, 240 Volt motor, custom colours and various accessories.

Made in Australia and built to the highest safety standards, our products are built to work all day, every day. Our commitment to quality is backed by our 3 year warranty and over 40 years experience as a leading Australian manufacturer.

This hoist optimises workshop clear floor space for ease of access, ease of cleaning and freedom of movement for other equipment. Increased up time and lower cost of ownership over the life of the hoist makes Molnar synonymous with value.



Reliability + Backup + Speed + Simplicity = Increased Profit & Productivity !

RELIABILITY

Molnar Hoists are manufactured in South Australia from high quality steel and powder coated for a durable finish.

In house product testing is performed to check the operation, life of components and ensure the vehicle hoists meet the Australian Standards.

BACKUP

Molnar manufacture and maintain a comprehensive supply of spare parts for all products to ensure minimal downtime.

With a 40+ year track record, we have experienced staff on hand to offer advice on all aspects – from hoist selection, positioning, installing, operating, ongoing service and maintenance.

SIMPLICITY

Controls are conveniently located for ease of access with a push button for lifting and a handle for lowering.

The auto release arm locks automatically disengage when hoist is lowered.

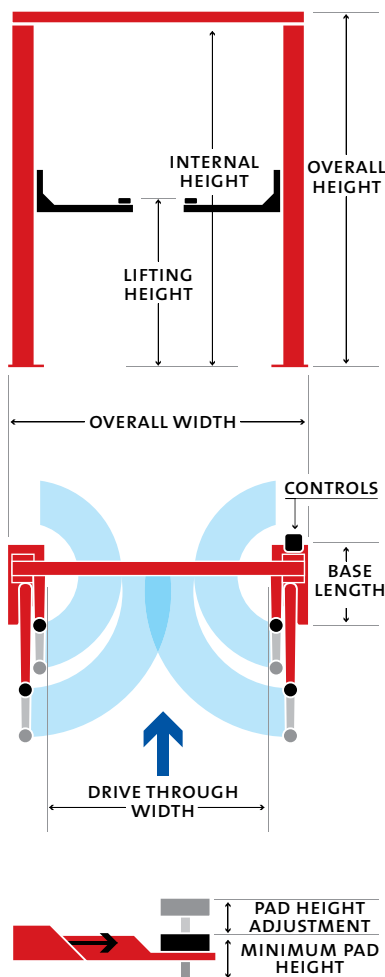
Comprehensive manuals for operation, maintenance and installation are supplied.

SPEED

The hydraulic power unit forms the heart of the hoist; our power unit not only has the muscle to easily lift the 4.5 tonnes it makes the M245 among the fastest lifting two post hoists available.

As the policy of Molnar Hoists is one of continuous improvement, the manufacturer reserves the right to change specifications without notice.





- 4.5 tonne overhead two post hoist
- Ideal for a range of vehicles from small passenger cars to 4WDs and light commercials
- Asymmetric design for easy access
- Set of 4 Pick Up Pad Extensions (90mm) included as standard
- Hydraulic overload protection
- Durable powder coat finish
- Large reinforced base
- Long door protection foam is tall enough to cover a wide range of vehicles with a density ideal for protecting door panels and paint
- Safety bar protects vehicles from travelling into the overhead beam
- Auto releasing arm locks make positioning and securing the arms quick and easy

SPECIFICATIONS	STANDARD	OPTIONAL
Lifting Capacity	4.5 tonnes	
Lifting Time	37-40 seconds	
Lifting Height	1840 mm	
Overall Height	3650 mm	High = 4090 mm
Internal Height	3545 mm	High = 3985 mm
Footprint	3150 x 800 mm	Wide = 3400 x 800 mm
Overall Width	3150 mm	Wide = 3400 mm
Drive Through Width	2406 mm	Wide = 2656 mm
Width Between Posts	2650 mm	Wide = 2900 mm
Minimum lowered height	117 mm	Low Arms = 95 mm
Pad Height Adjustment	41 mm	Low Arms = 21 mm
Motor	3 Phase 415V / 6.5A	Single Phase = 240V / 20A
Recommended Concrete*	135mm Thick / 32 MPa / Reinforced	
Minimum Concrete*	100 mm Thick / 25 MPa / Reinforced	
Anchor Bolts**	16 bolts @ min. 7.5kN per bolt	
Hydraulic Oil**	8 litres / 46 Weight / High Quality / Anti-Wear	

* Important: guide only. Refer to Installation Manual for full details.

† Included in optional Installation Kit "T".

OPTIONS

					
Installation Kit "T"	Width "W"	Height "H"	Low Arms "L"	Colour "C"	Motor "V"
Includes anchor bolts & hydraulic oil	Width extension of 250 mm	Height extension of 440 mm	95 mm minimum pickup arms for low vehicles	Customised Powder Coating colour	240 Volt single phase motor

OPTIONAL ACCESSORIES

- **Height extension** for retrofit to standard M245
- **Width extension** for retrofit to standard M245
- **Low Arms** for retrofit to standard M245
- **240 Volt** single phase motor for retrofit to standard M245
- **Extra Pick Up Pad Extensions** to increase pad height by another 90 mm, good for use on off-road vehicles
- **Pad Extensions**; placed on top of a standard pad to increase height by 45 or 33 mm
- **Powder Coated Cylinder Covers** to customise look
- **Wheel Holders**; help avoid excess manual handling of heavy wheels and keeps wheels from being a trip hazard on the ground
- **Arm Pads**; expands the arms' pick-up range, ideal for use on wide but short vehicles
- **Heavy Duty Pick-Up Pads** for tougher use

For more information, please contact us or your local Representative

Call **1300 MOLNAR** (1300 665 627)
T+61 8 7120 8700 **F**+61 8 8346 0097
E sales@molnarhoists.com.au
www.molnarhoists.com.au



onwards & upwards



SHIPPING

Standard Pack Weight = 800kg
 Standard Packing Dimensions
 = W 3700mm x D 1150mm x H 555mm



High Version (+H) Pack Weight = 850kg
 High Version (+H) Packing Dimensions =
 W 4140mm x D 1150mm x H 555mm



ELECTRICAL



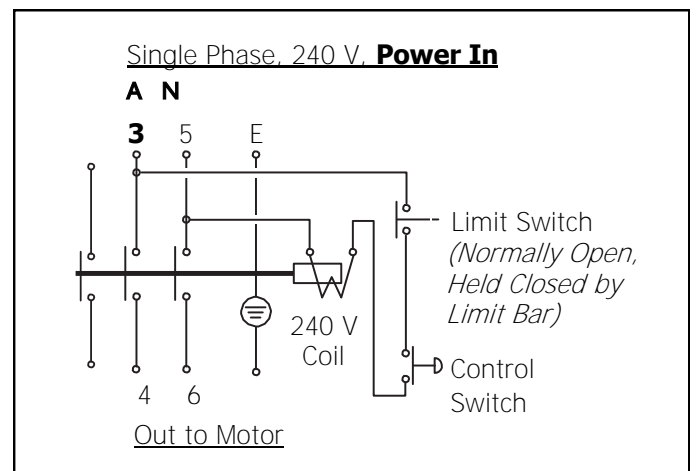
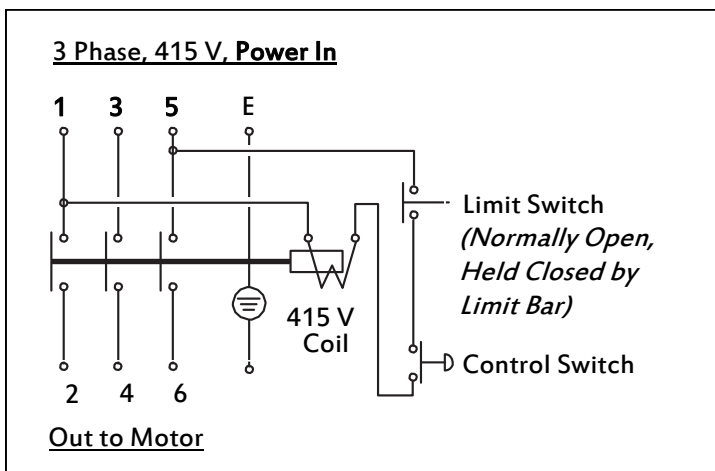
A licensed electrician must perform all electrical work including power connection and wiring.

3 Phase Power Requirements

415V - 6.5 AMPS

Single Phase Power Requirements

240 Volts, at hoist, under load at motor,
 hard wired on 20 Amp circuit



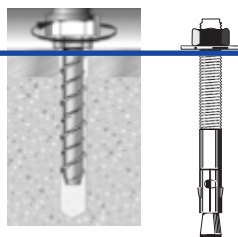
ANCHOR BOLTS#

Preferred anchoring system

10 X Ramset Tru-bolts T16150GH
 6 X Ramset AnkaScrew AS16115

Alternative anchoring system

16 X Ramset Tru-bolts T16150GH



Minimum 7.5 kN Hold Down Force per
 Bolt Required for Anchoring.

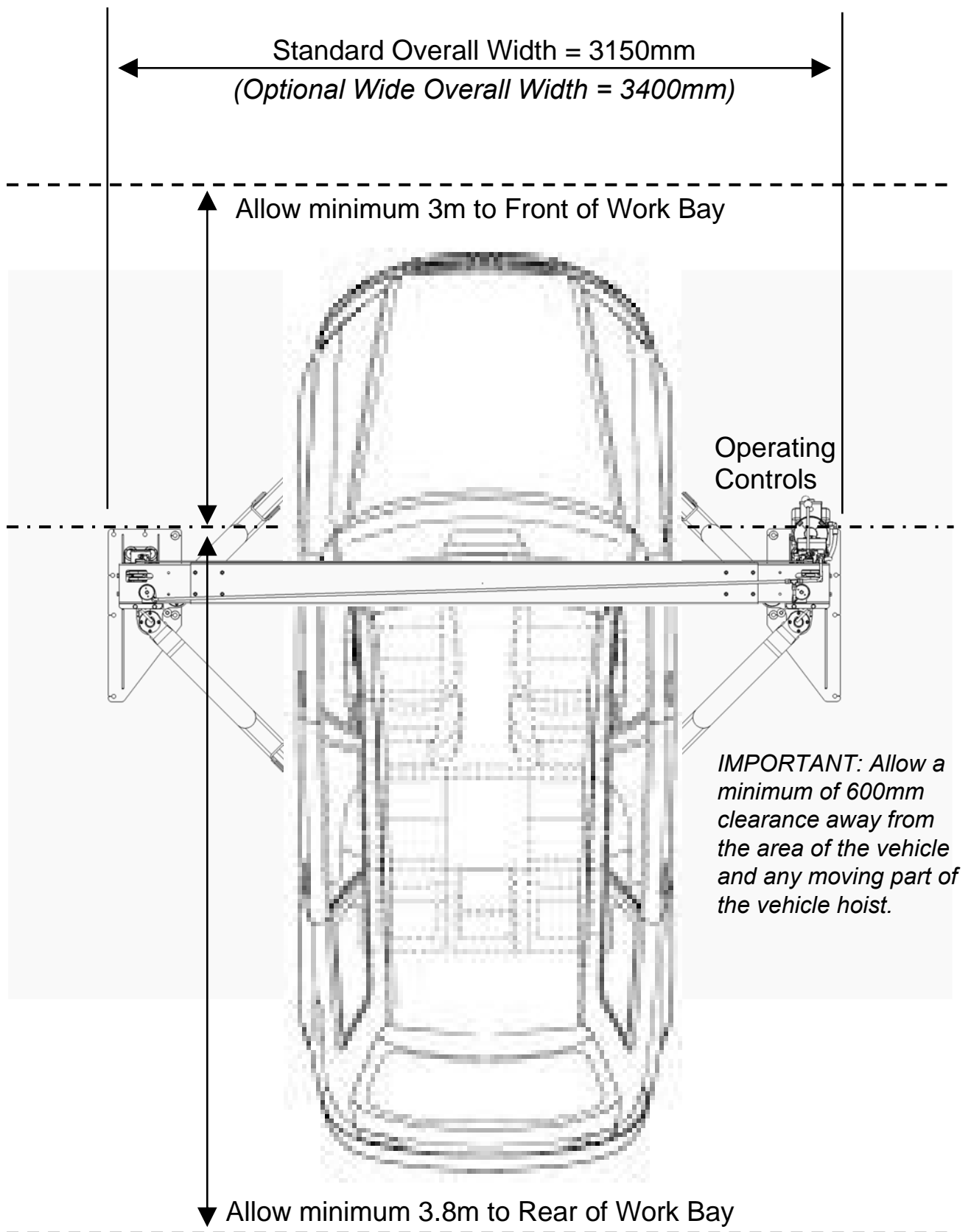
#Anchor Bolts supplied with Installation Kit
 (+T) Option, not supplied Standard

LUBRICANTS

Not Supplied

Lubricant	Recommended
Grease	> EP grade grease
General lubricant	> CRC Tac-2 > Wurth HHS Lube
Wire Rope lube	> Lanotec heavy duty liquid lanolin

LAYOUT



HYDRAULIC OIL

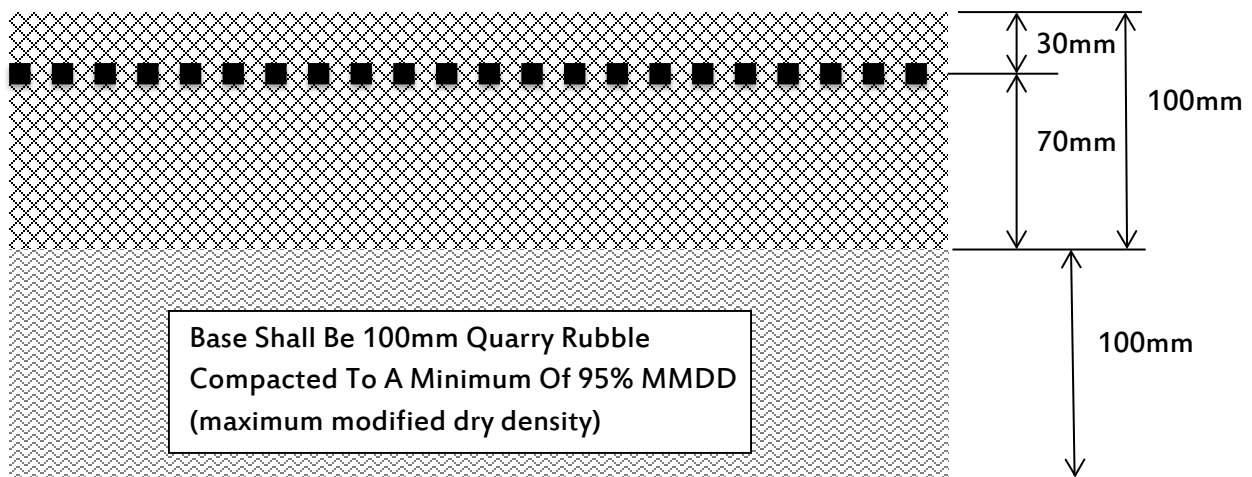
Use 8 litres, 46 Weight, High Quality, Anti-Wear Hydraulic Oil in normal climates.
Use a lighter weight in colder climates and a heavier weight in hotter climates.
Hydraulic oil included in optional installation kit (+T), not supplied standard.

FLOOR SPECIFICATIONS

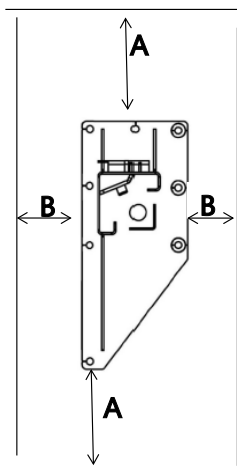
Fully Cured, Reinforced Concrete Slab (in Good Condition) on Compacted Base

Recommended Concrete Thickness:	135mm
Minimum Concrete Thickness:	100mm
Recommended Concrete Compressive Strength:	32MPa
Minimum Concrete Compressive Strength:	25MPa
Minimum Reinforcement Specifications:	SL72 Mesh with 30mm cover
Minimum Concrete Base Thickness:	100mm
Minimum Concrete Base Specifications:	Quarry Rubble compacted to 95% MMDD
Minimum Distance from Bolt Hole to Existing Bolt Holes:	200mm

WARNING: Do not install the M245 where the minimum anchor bolt requirements and specifications cannot be satisfied.

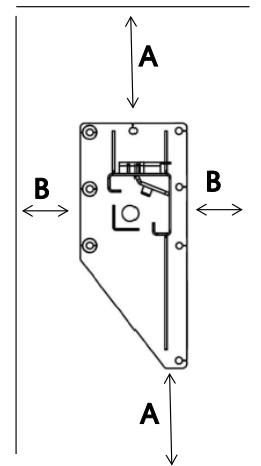


Minimum Distance to Concrete Edge (including expansion joints, cold joints, etc.)



THICKNESS REQUIRED CLEARANCE

Thickness mm	Dimension A	Dimension B
100	1200	630
125	1075	568
135	1025	543
150	950	505
175	825	443
200	700	380



FLOOR REPAIR

If floor is less than 100mm thick or if the anchor bolts cannot be torqued to 155Nm the floor will need to be cut out to the following specifications:

- Cut the existing floor to a minimum pad size of 4000mm X 2200mm dig out base to a depth of 200 mm Minimum and under cut existing slab by 200 mm
- Ensure the base is compacted to 95% MMDD
- Insert pins in old slab to lock the slabs together
- Concrete must be a minimum of 32 Mpa grade and a depth of 200mm Steel mesh must be a minimum of SL82
- Slab must be let to cure for a minimum of 14 days before installing the hoist