

*Spare parts list for Molnar
Air Jacking Beam*

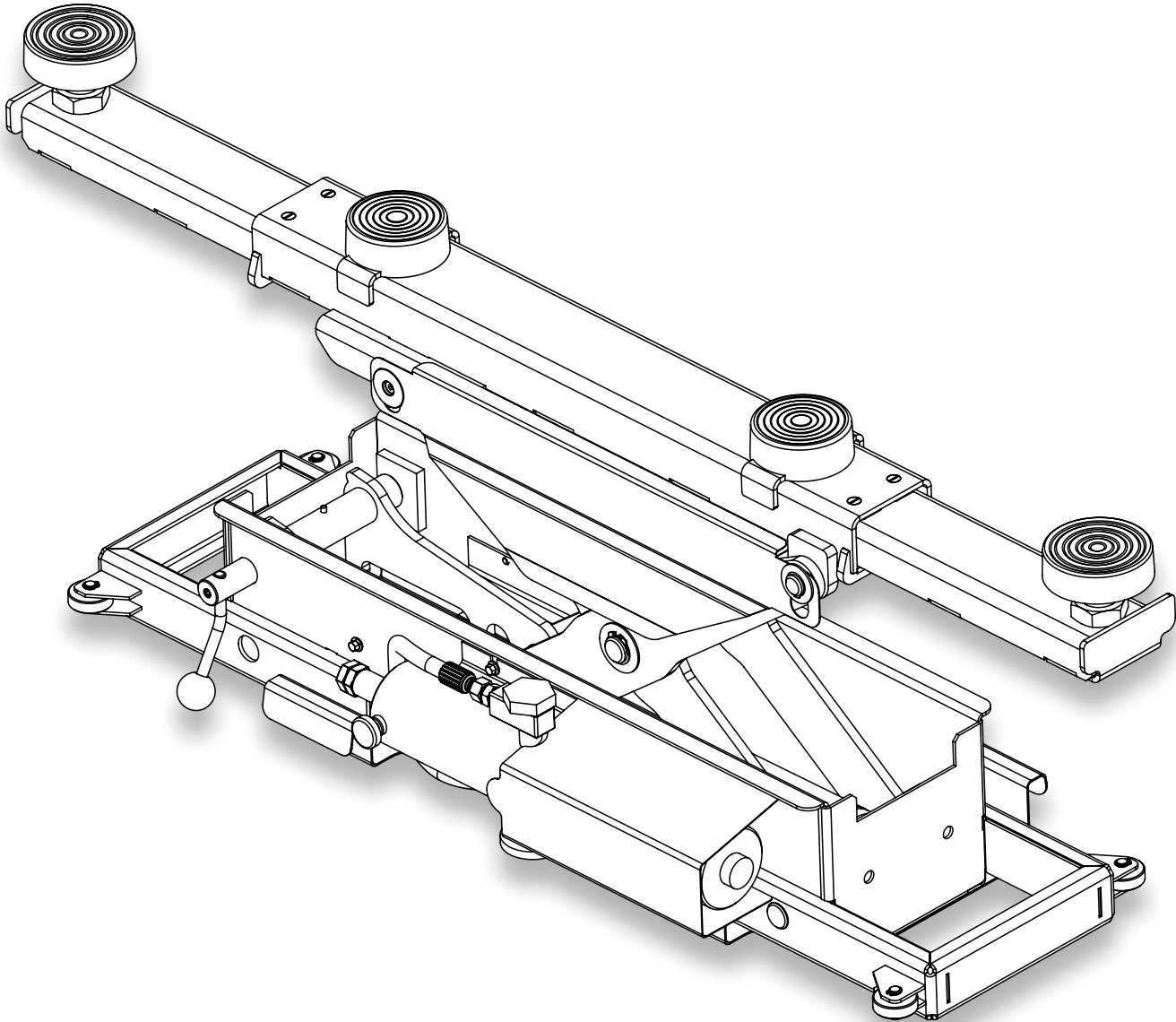
JB11 / JB11A

AIR JACKING BEAM SPARE PARTS

**M
O
L
N
A
R**



HOISTS



TO ORDER

To order spare parts or accessories, simply call

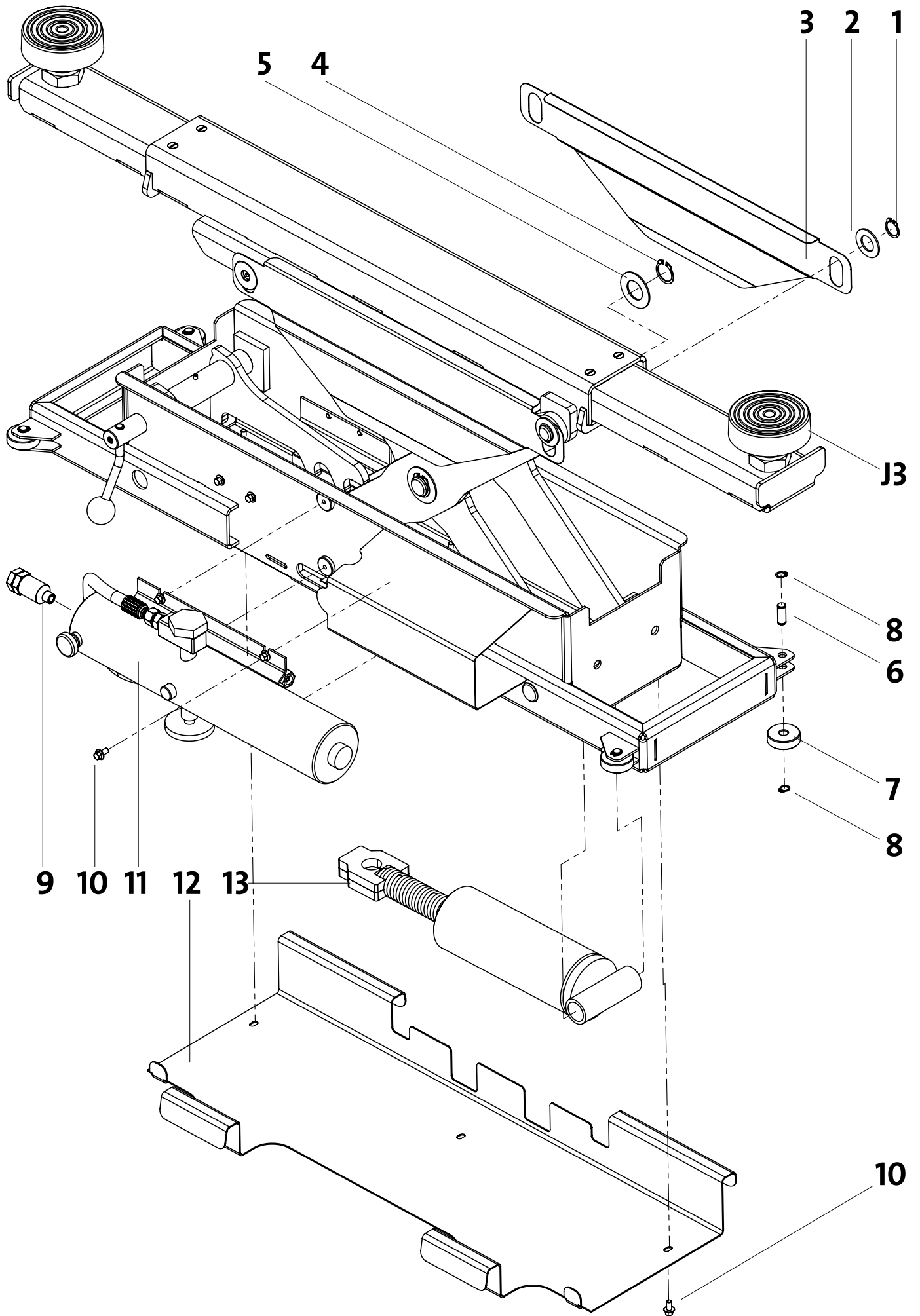
1300 MOLNAR [665 627] in Australia

+61 8 7120 8700 for International callers

email spareparts@molnarhoists.com.au

or log onto www.molnarhoists.com.au












Parts Diagram



ITEM	PART DESCRIPTION	SPARE PART NUMBER
1	CIRCLIP 20 mm (D1400-020)	1012012
2	WASHER FLAT 20 mm	1017006
3	COVER PLATE, SIDE	32A31011
4	CIRCLIP 25 mm (D1400-0250)	1012013
5	WASHER FLAT 25 mm	1017005
6	PIN, GUIDE ROLLER	JB87-42
7	GUIDE ROLLER	JB87-43
8	CIRCLIP 10 mm (DIN 471-10)	85A-J-46
9	INLINE AIR FILTER COMPLETE	SL02-147
10	BOLT M6 x 12 mm	85A-D-11
11	PUMP ASSEMBLY	32A24002
12	COVER PLATE, BOTTOM	32A31012
13	CYLINDER ASSEMBLY	32A24001
J3	PICK UP PAD, SMALL	J3



ACCESSORIES

<p>PL92-RB RUBBER BLOCK, STANDARD</p>		<p>Solid rubber block for cushioned lifting For use on Rubber Block Nest</p>	<p>Length 150 mm Width 100 mm Height 70 mm</p>
<p>PL92-RB-40 RUBBER BLOCK, LOW PROFILE</p>		<p>For vehicles with low clearance For use on Rubber Block Nest</p>	<p>Length 150 mm Width 100 mm Height 40 mm</p>
<p>SLO2-NEST RUBBER BLOCK NEST</p>		<p>Nest to house rubber blocks</p>	<p>Length 160 mm Width 100 mm Height 120 mm</p>
<p>J3BP BEAM PAD</p>		<p>Stabilises vehicles on beams Made from solid, long-lasting vulcanised rubber</p>	<p>Diameter 90 mm Pad Height 30 mm</p>
<p>J3 PICK UP PAD, SMALL</p>		<p>Supports and stabilises vehicle</p>	<p>Diameter 100 mm Height - min 30 mm Height - max 80 mm</p>
<p>EXT-PAD BEAM RISER, STANDARD</p>		<p>Provides valuable extra clearance for four-wheel-drives and vans</p>	<p>Length 120 mm Width 100 mm Height - min 170 mm Height - max 215 mm</p>
<p>EXT-PAD-LOW BEAM RISER, LOWERED</p>		<p>For vehicles with low clearance</p>	<p>Length 120 mm Width 100 mm Height - min 140 mm Height - max 175 mm</p>
<p>AXLE-PU BEAM RISER, AXLE</p>		<p>For stable pick-up on axle; cradle head prevents lateral movement</p>	<p>Length 120 mm Width 100 mm Height - min 150 mm Height - max 205 mm</p>



WARRANTY

All Molnar Hoists products are made in Australia and built to the highest safety standards.

Our commitment to excellence is backed by our warranty on products and genuine parts – matching our manufacturing excellence with superior service assurance.

Molnar Hoists will repair or replace defective product in accordance with our standard Warranty terms and conditions in effect at the time of purchase. Simply contact your local authorised dealer or Molnar Hoists to initiate a warranty claim.

A copy of our complete Warranty Statement is available to download from our website www.molnarhoists.com.au





For more information, please contact us or your local Molnar Representative

16-20 Coglin Street Brompton SA 5007 Australia

T 08 7120 8700 **F** 08 8346 0097 **E** info@molnarhoists.com.au

www.molnarhoists.com.au

onwards & upwards