

made
in
Germany

*Versatile, heavy
duty, 4 post
hoist with a
6500 kg lifting
capacity*

Nussbaum COMBI LIFT 4.65H



Combi Lift is versatility and stability. Fully optioned, the Combi Lift is the lift able to handle almost any vehicle service or repair requirement. The 4 post hoist configuration provides more support under a vehicle when servicing making it an inherently safer design especially for larger vehicles or vehicles with uneven weight distributions. The 6500kg capacity and the width adjustable runways will allow for a great range of vehicles in size and weight.

FEATURES

- Lifting capacity 6500 kg; ideal for commercial vans and light trucks
- 670mm runway width ideal for double tyre vehicles
- Accurate height adjustable locking bars for wheel alignment
- Automatic locking system
- Low drive-on height (190 mm)
- Width between runways is adjustable
- User friendly, lockable control unit
- Powerful and Quiet; oil-submerged power unit is mounted under the runway
- Originally developed and produced by Nussbaum
- Made in Germany



Molnar Hoists are the Australian agents for Nussbaum, for more information, please contact us on:

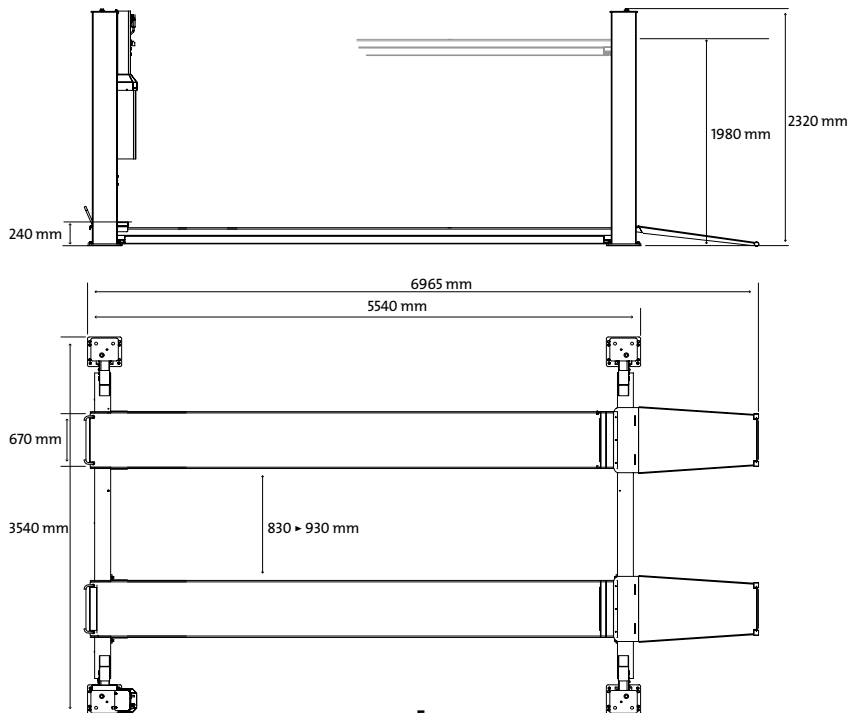
T 08 7120 8700 or 1300 MOLNAR (within Australia) **F** 08 8346 0097
E sales@molnarhoists.com.au www.molnarhoists.com.au

onwards & upwards

Nussbaum

COMBI LIFT 4.65H 6.5 TONNE 4 POST HOIST

made
in
Germany



PRODUCT SPECIFICATIONS

Footprint	3540 x 6965 mm
Length	6965 mm
Width	3540 mm
Height	2320 mm
Lifting Capacity	6500 kg
Max Platform Height	1980 mm
Min Platform Height	190 mm
Min Lifting Time	41 seconds
Platform Width	670 mm
Width between platforms	830–930 mm (Adjustable)
Width between Columns	3080 mm
Runway Length	5540 mm
Motor	3 Phase, 3 kW, 400 V, 50 Hz
Required Fuse	16 A
Finish	Powder Coated for added durability
Concrete Depth	Thickness 160mm, Quality C20/25 (B25)
Hydraulic Oil	High quality, 32 weight, anti-wear
Gross Weight	1820 kg
Warranty	12 Months
Documentation	Comprehensive service manuals and installation instructions included

FEATURES

Operational	Turn key control at front left column
	Comfort control - when lowering automatically disengages locks
	Adjustable width between runways
Safety	Pressure relief valve (prevents overload)
	Safety switch (if a wire rope breaks, the lift switches off)
	Key-operated switch
	Safety ratchet device protects against unintentional lowering
	CE-Stop with warning signal, stops automatically 200 mm before reaching the lowest position
	Meets Australian Standards AS/NZ 1418.9:1996
	Design Registration Number SD-20122272-1

ACCESSORIES

Axle Jack 2500 (2500 kg lifting capacity Air Hydraulic jacking beam)
Drive-through ramps
Longer drive-on ramps for low clearance vehicles, 1000mm
Aluminium crossbar for lifting off-road and commercial vehicles without sill panel using wheel-free lift.

OPTIONS

Control unit at either column (standard front left)
Runway integrated lighting
Fire galvanisation of runways and lift
Joint play detector for vehicle inspections with integrated light and remote control.

A	Alignment version with rear sliding plates and front recesses for turntables. NOTE: Platform dimensions different for Alignment version and requires longer drive-on ramps.
PLUS	Wheel-free lift version (a small sill panel lifting scissor lift, integrated in each runway combined maximum lifting capacity 3500kg)
WHEEL FREE	Vehicle can be supported by its chassis on rails locked in at a selected height.

Manufacturer reserves the right to change specifications without notice.



Molnar Hoists are the Australian agents for Nussbaum,
for more information, please contact us on:

T 08 7120 8700 or 1300 MOLNAR (within Australia) F 08 8346 0097
E sales@molnarhoists.com.au www.molnarhoists.com.au

onwards & upwards