



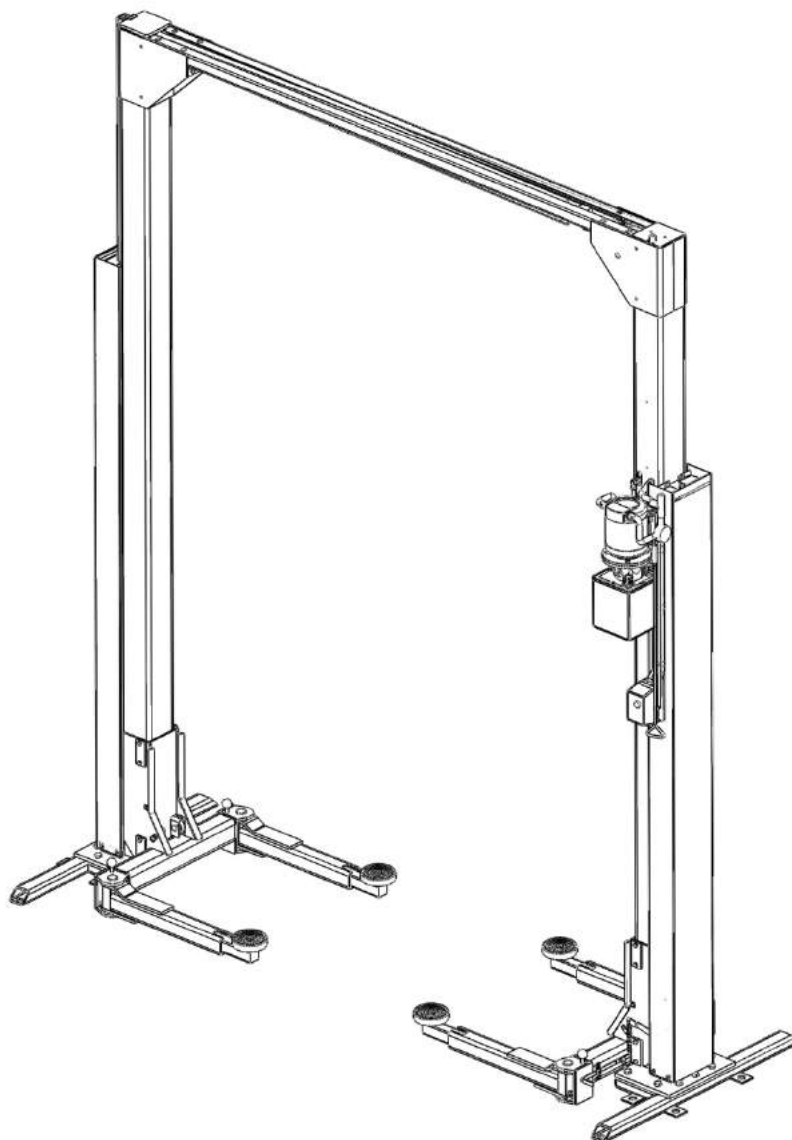
*Makers of the famous
TWO-POST AND FOUR-POST
HOISTS & ACCESSORIES*

MOLNAR ENGINEERING PTY. LTD.

TWO POST CLEAR FLOOR HOIST 3 TONNE

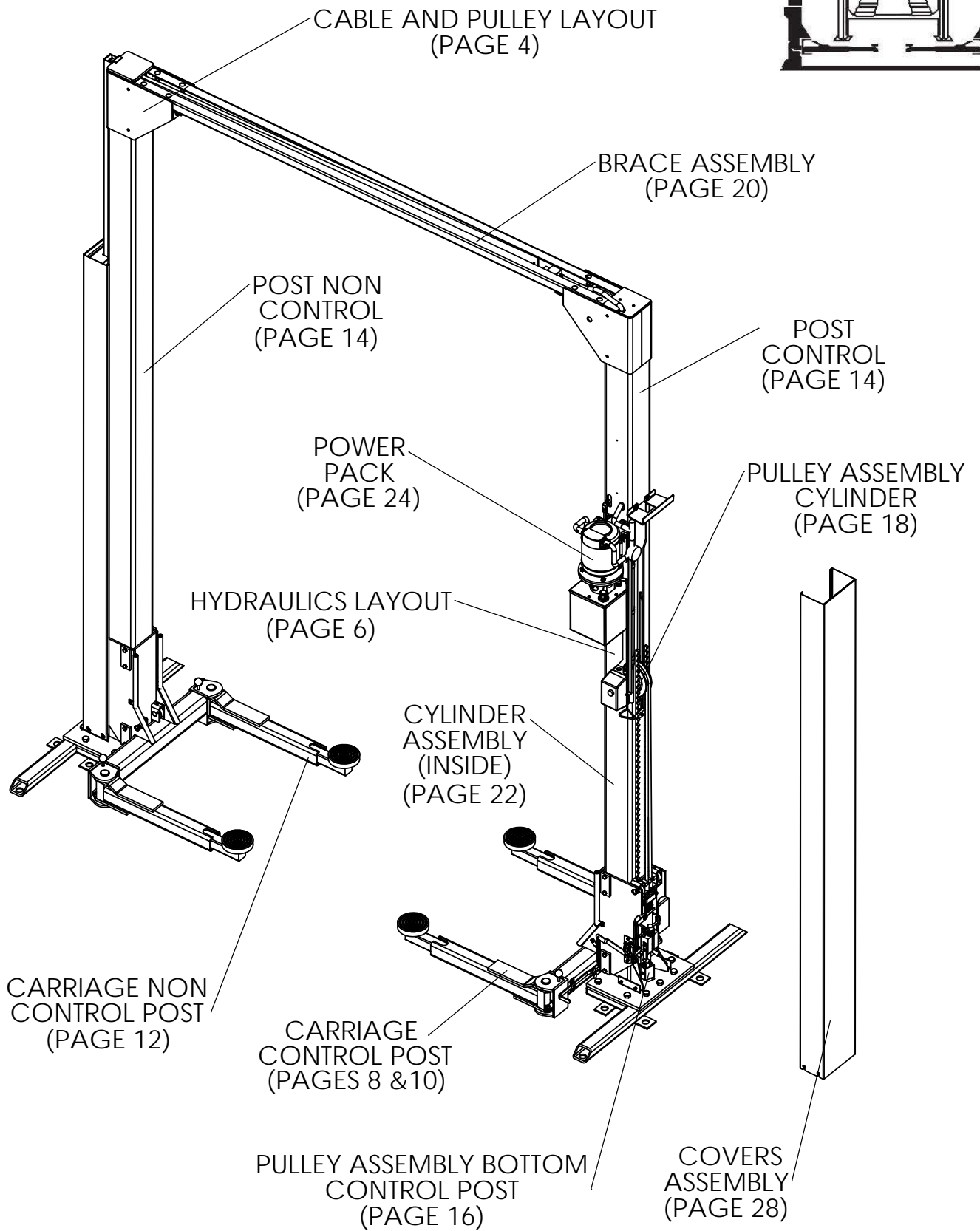
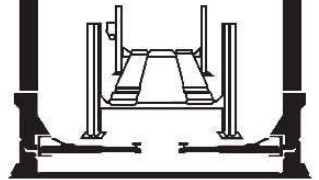
MODEL MF1705-93-OH-3T SERIES 2

PARTS IDENTIFICATION MANUAL

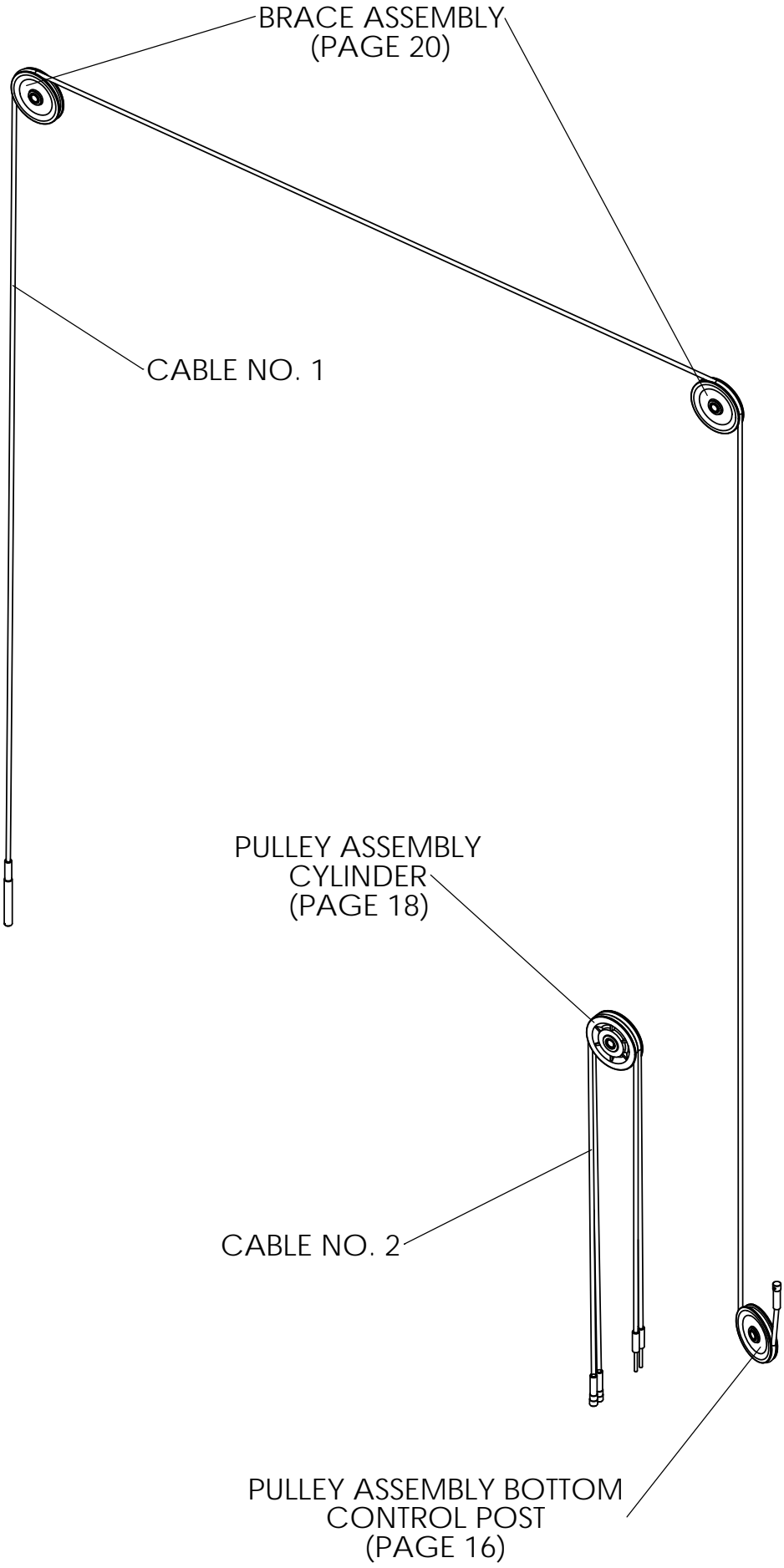
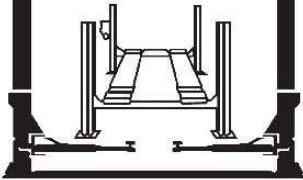


Contents

Home Page	3
Cable and Pulley Layout	4
Cable Bill of Materials	5
Hydraulics Layout	6
Hydraulics Layout Bill of Materials	7
Carriage Control Post Page 1	8
Carriage Control Post Bill of Materials 1	9
Carriage Control Post Page 2	10
Carriage Control Post Bill of Materials 2	11
Carriage Non Control Post	12
Carriage Non Control Post Bill of Materials	13
Post Assemblies	14
Post Assemblies Bill of Materials	15
Pulley Assembly Bottom Control Post	16
Pulley Assembly Bottom Control Post Bill of Materials	17
Pulley Assembly Cylinder	18
Pulley Assembly Cylinder Bill of Materials	19
Brace Assembly	20
Brace Assembly Bill of Materials	21
Cylinder Assembly	22
Cylinder Assembly Bill of Materials	23
Power Pack Complete Assembly	24
Power Pack Complete Assembly Bill of Materials	25
Motor and Tank Assembly	26
Motor and Tank Assembly Bill of Materials	27
Covers Assembly	28
Covers Assembly and Stickers Bill of Materials	29
Accessories	30
Extension Pad EP10	31
Foot Operated Arm Lock (Superseded)	32
Foot Operated Arm Lock (Superseded) Bill of Materials	33
Replacement Parts for EP02 Extension Pad (Superseded)	34
415VAC 3 Phase to 240VAC Single Phase Conversion	35



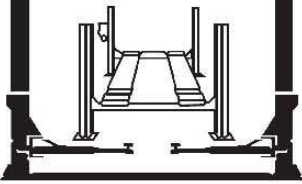
**TWO POST CLEAR FLOOR HOIST 3 TONNE
MODEL MF1705-93-OH-3T SERIES 2**



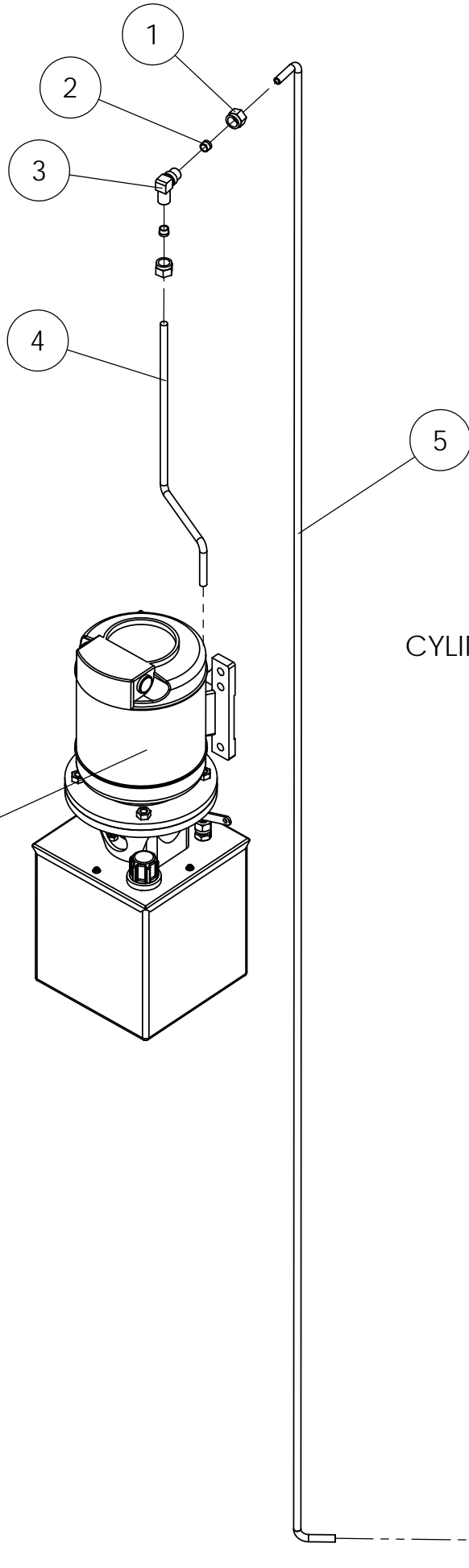
CABLES

MODEL MF1705-93-OH-3T SERIES 2

ITEM #	PART DESCRIPTION	SPARE PART #
1	CABLE NO. 1 (LONG CABLE 10,500mm LONG) 1 CABLE PER HOIST WIDTH BETWEEN POSTS 2650mm	OH93-D-274
	CABLE NO. 1 EXTRA WIDE (LONG CABLE 10,800mm LONG) 1 CABLE PER HOIST WIDTH BETWEEN POSTS 2950mm	OH93-D-274EW
2	CABLE NO. 2 (SHORT CABLE 2882mm LONG) 2 CABLES PER HOIST	85A-D-67A



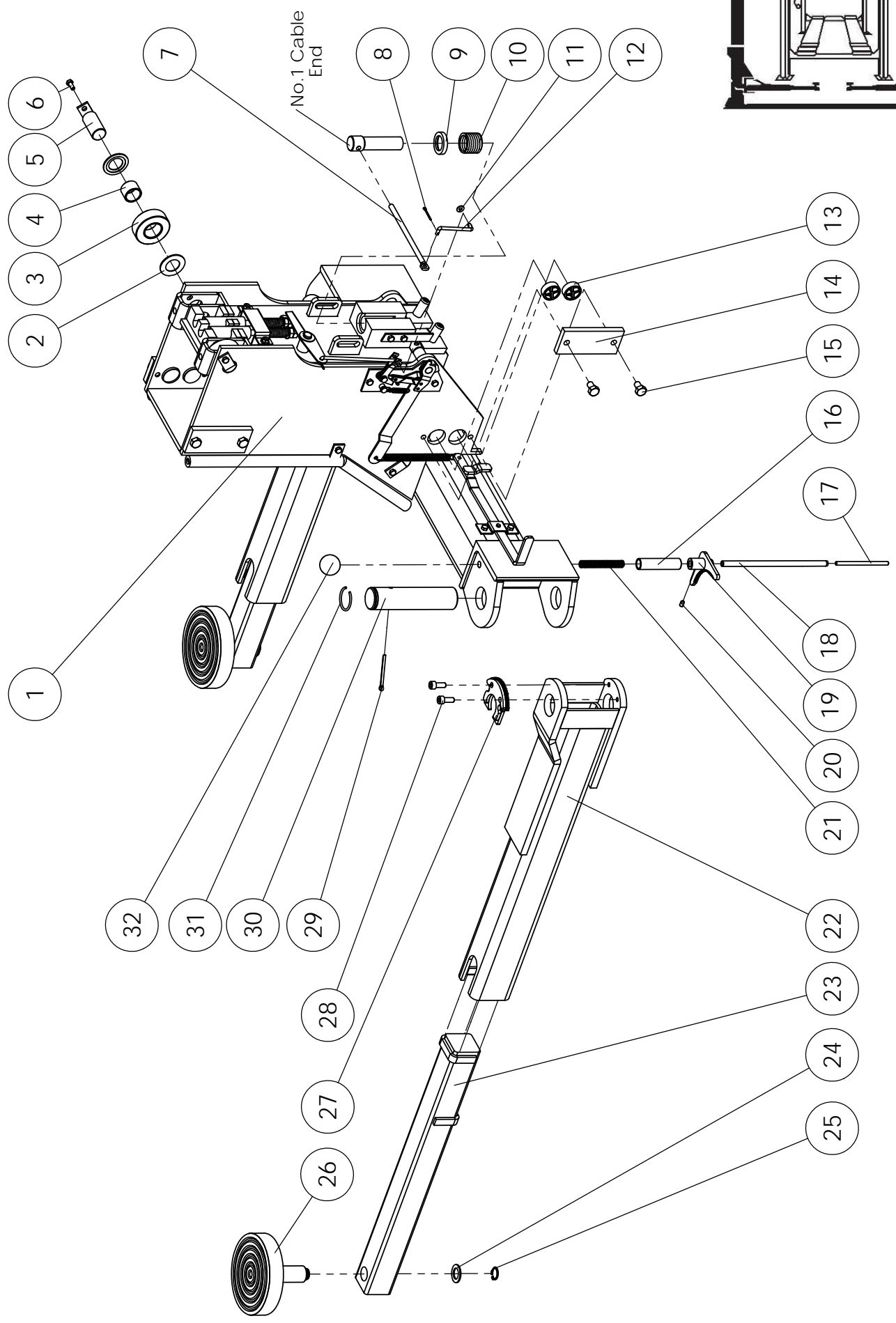
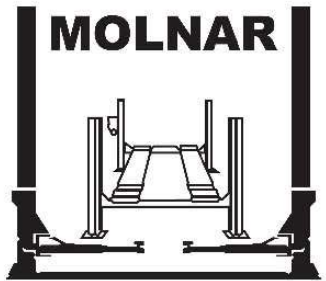
MOTOR AND TANK
ASSEMBLY
(PAGE 26)



CYLINDER ASSEMBLY
(PAGE 22)

HYDRAULICS LAYOUT

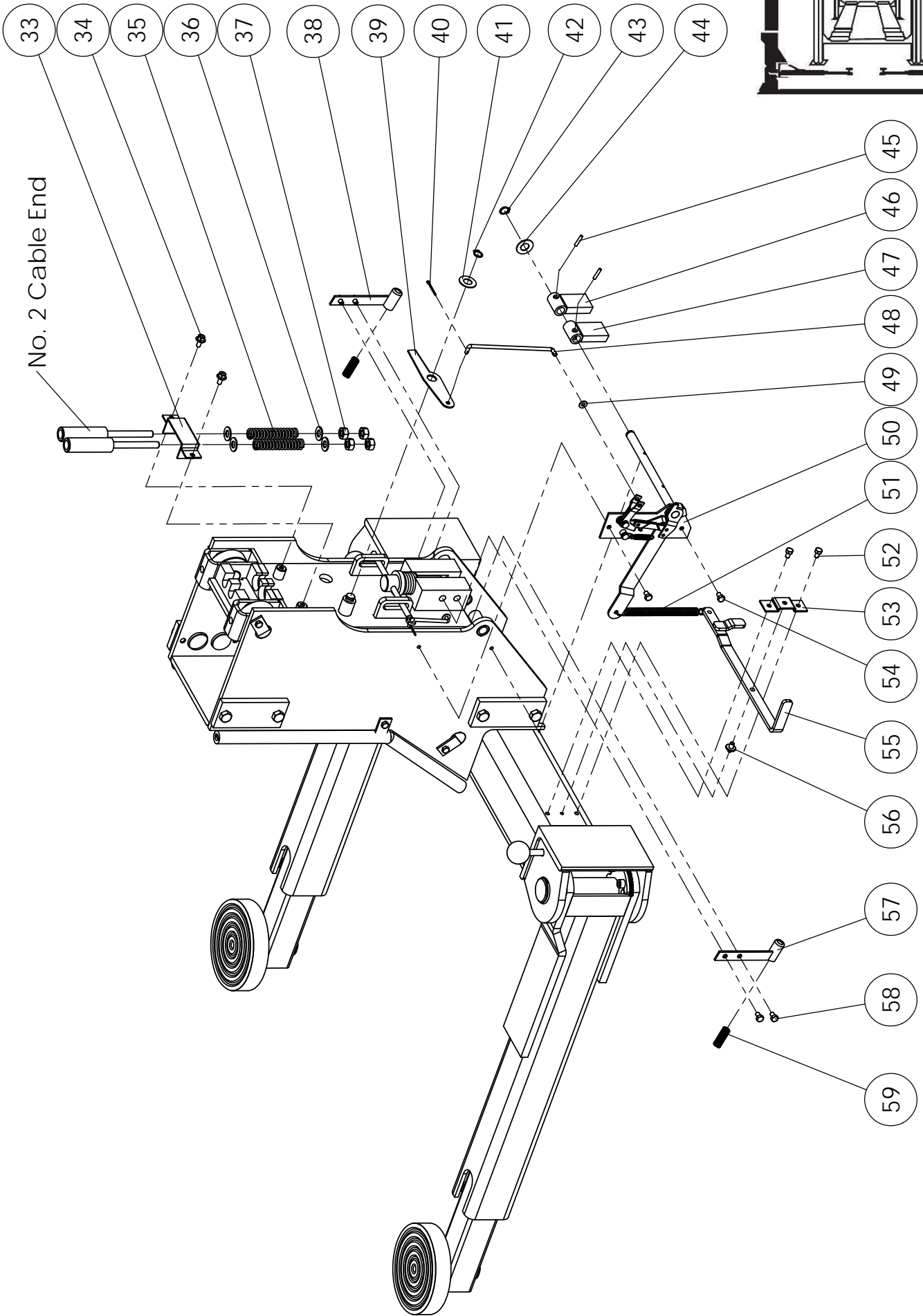
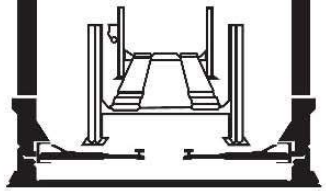
ITEM #	PART DESCRIPTION	SPARE PART #
1	NUT ADAPTOR HYDRAULIC MC6	85A-F-226
2	OLIVE 3/8"	85A-F-227
3	ADAPTOR HYDRAULIC ELBOW	85A-E-221
4	HYDRAULIC PIPE (OIL TANK)	85A-E-222
5	HYDRAULIC PIPE LONG	85A-E-223



CARRIAGE CONTROL POST

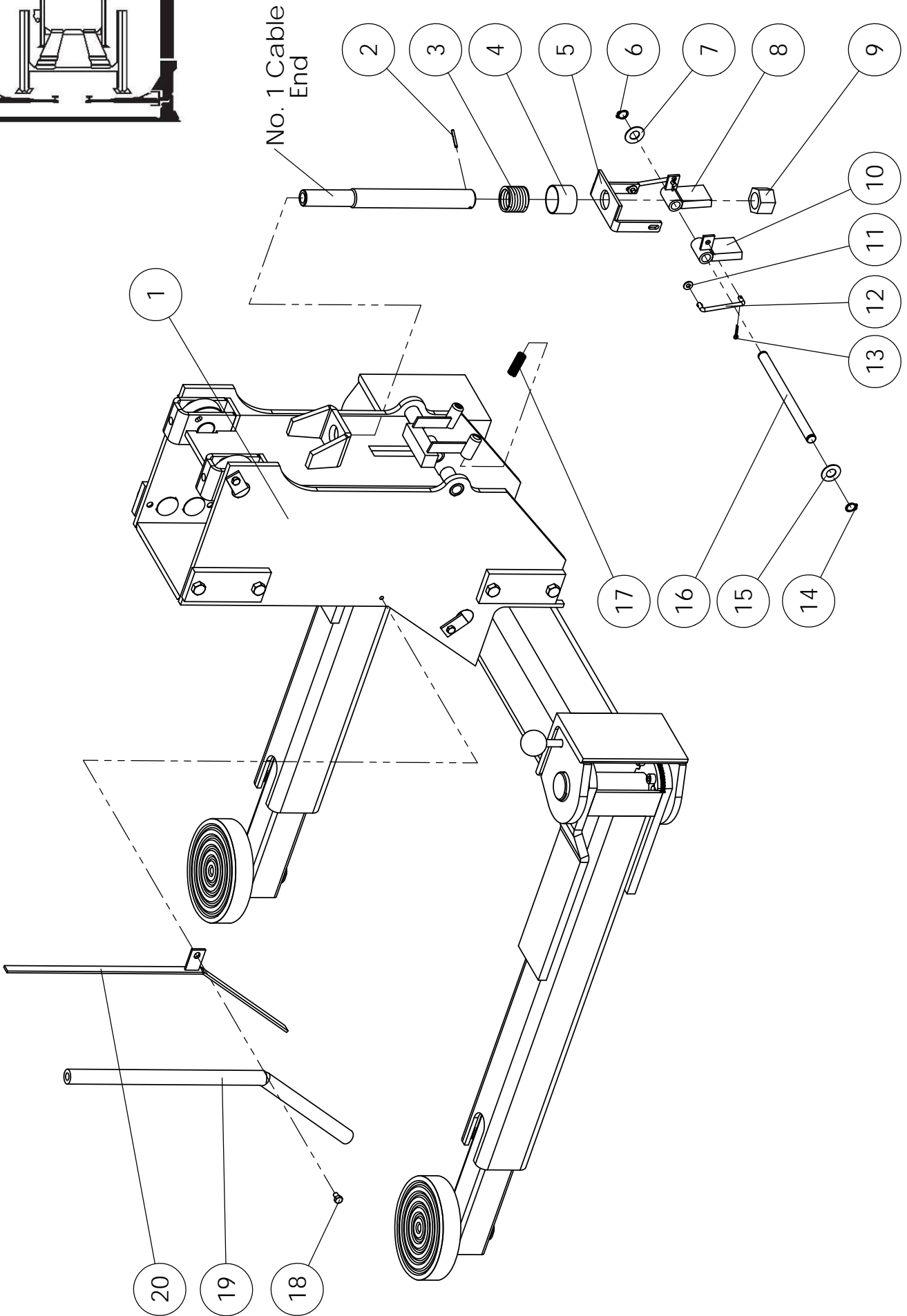
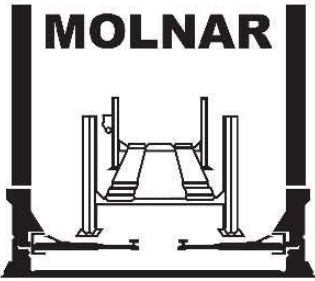
ITEM #	PART DESCRIPTION	SPARE PART #
1	CARRIAGE - CONTROL POST	85A-KR-3
2	SPACER	85A-KL-217
3	ROLLER (INCL. BUSH)	85A-KL-216R
4	BUSH ROLLER	85A-KL-216B
5	PIN ROLLER	85A-KL-22
6	BOLT M6x10mm	85A-D-4
7	CABLE AXLE	85A-D-74
8	SPLIT PIN M2.5x12mm	85A-KL-33
9	CAP LONG CABLE SLEEVE	85A-D-75
10	SPRING LONG CABLE	85A-D-77
11	WASHER FLAT M5	85A-D-78
12	LINKAGE TO LONG CABLE	85A-L-79
13	WEAR PAD ROUND	85A-KL-42R
14	BRACKET WEAR PAD	85A-KL-43
15	BOLT M10X15 HHD	85A-KL-44
16	SLEEVE SPRING HOUSING	2008025
17	SHAFT AUTO ARM LOCK PLASTIC	2008032
18	SHAFT AUTO ARM LOCK	2008024
19	BRACKET CARRIAGE LOCK	2008026
20	GRUB SCREW M6x8mm	1029001
21	SPRING 25 COIL 12.7ODx1.4WD	4488-TB-53
22	LIFTING ARM CARRIAGE	85A-J-54
23	LIFTING ARM INNER	85A-J-53
24	WASHER (ZINC PLATED)	5017002
25	CIRCLIP 19mm (DIN 471 - 19)	JB87-10
26	PICK UP PAD (140MM DIAMETER)	JJ3PUP
27	BRACKET LIFTING ARM LOCK	2008029
28	BOLT M8x20mm	1011002
29	SPLIT PIN M4x45mm (LIFTING ARM PIVOT PIN)	85A-J-251
30	PIN PIVOT LIFTING ARM	85A-J-50
31	RING SNAP ROUND 32mm ID	85A-J-51
32	KNOB BLACK 3/8" BSW	4488-PP-126B
	AUTO ARM LOCKING KIT x4 (INCL. ITEMS # 16 SLEEVE SPRING HOUSING (x4), # 17 SHAFT AUTO ARM LOCK PLASTIC (x4), # 18 SHAFT AUTO ARM LOCK (x4), # 19 BRACKET CARRIAGE LOCK (x4), # 20 GRUB SCREW (x4), # 21 SPRING (x4), # 27 BRACKET LIFTING ARM LOCK (x4), # 28 BOLT (x8), # 32 KNOB (x4))	2008004

* FOR SUPERSEDED FOOT OPERATED ARM LOCK SEE PAGE 32



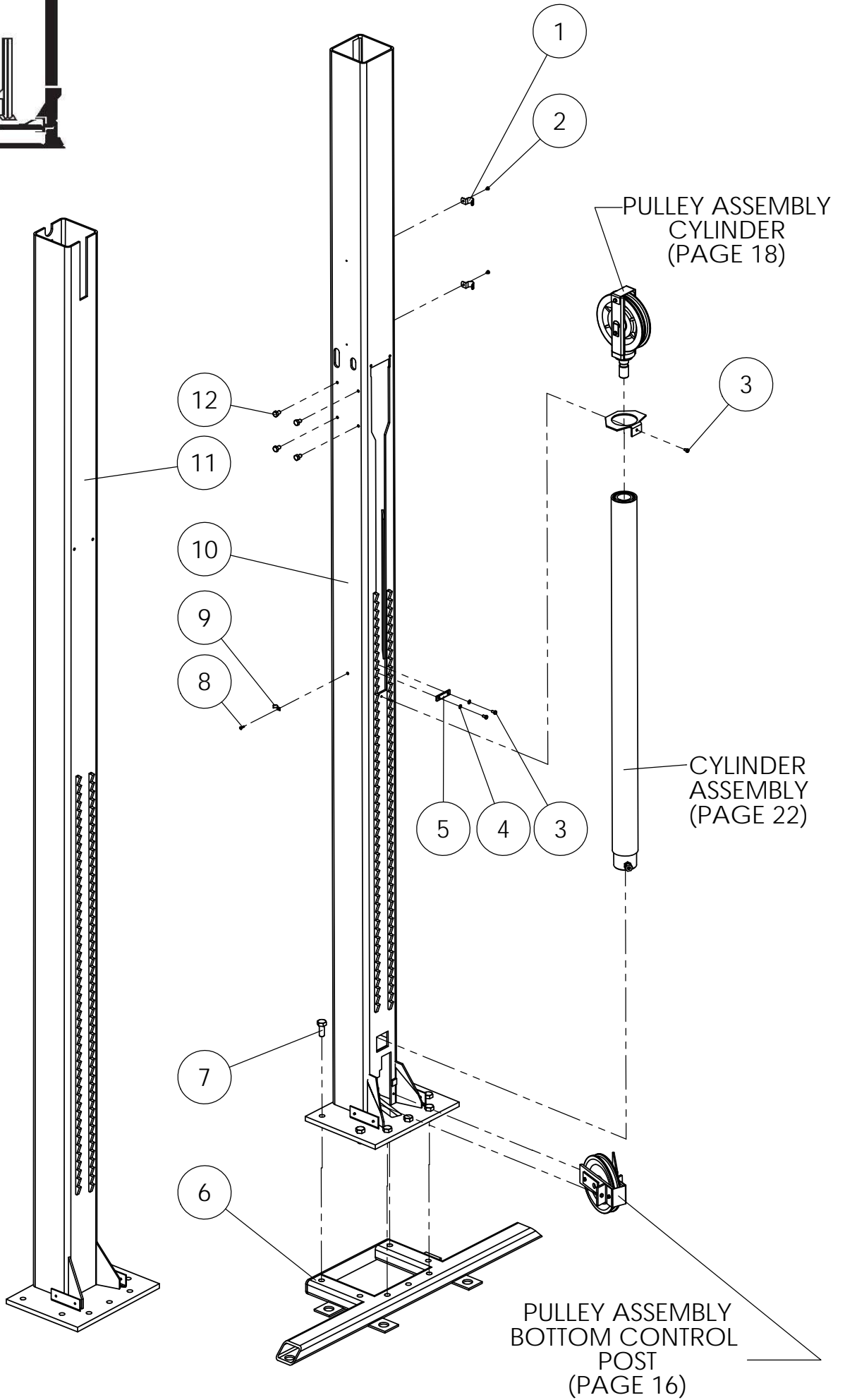
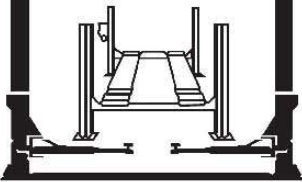
CARRIAGE CONTROL POST

ITEM #	PART DESCRIPTION	SPARE PART #
33	BRACKET CABLE	85A-D-129
34	BOLT M6x12mm	85A-D-11
35	SPRING FOR SHORT CABLES	85A-D-131
36	WASHER FLAT M10	85A-D-132
37	NUT SHORT CABLE 3/8" WHITWORTH	85A-D-133
38	SPRING HOLDER RIGHT	85A-KR-135
39	SAFETY PIVOT ARM	85A-KR-140
40	SPLIT PIN M2.5x12mm	85A-KL-33
41	WASHER FLAT 1/2" ZC	85A-KR-128
42	CIRCLIP 12mm (DIN 471-12)	85A-J-56
43	CIRCLIP 12mm (DIN 471-12)	85A-J-56
44	WASHER FLAT 1/2" ZC	85A-KR-128
45	PIN SAFETY TOGGLE	85A-KR-127
46	TOGGLE SAFETY RH CONTROL	85A-KR-125
47	TOGGLE SAFETY LH CONTROL	85A-KR-126
48	LINKAGE TO SHORT CABLES	85A-L-142
49	WASHER FLAT M5	85A-D-78
50	SAFETY ACTUATING ASSEMBLY	85A-L-146
51	SPRING SAFETY ACTUATING	85A-L-148S
52	BOLT M6x12mm	85A-D-11
53	BRACKET SAFETY ON/OFF	85A-KR-150
54	BOLT M6x10mm	85A-D-4
55	ARM SAFETY ON/OFF	85A-KR-152
	SAFETY ON/OFF ARM ASSEMBLY (INCL. ITEMS # 52 BOLT (x2), # 53 BRACKET (x1), # 55 ARM (x1), # 56 PIN PIVOT (x1))	85A-KR-152A
56	PIN PIVOT SAFETY ON/OFF	85A-KR-250
57	SPRING HOLDER LEFT	85A-KR-136
58	BOLT M6x10mm	85A-KL-23
59	SPRING SAFETY TOGGLE (2 PER CARRIAGE)	85A-KL-27



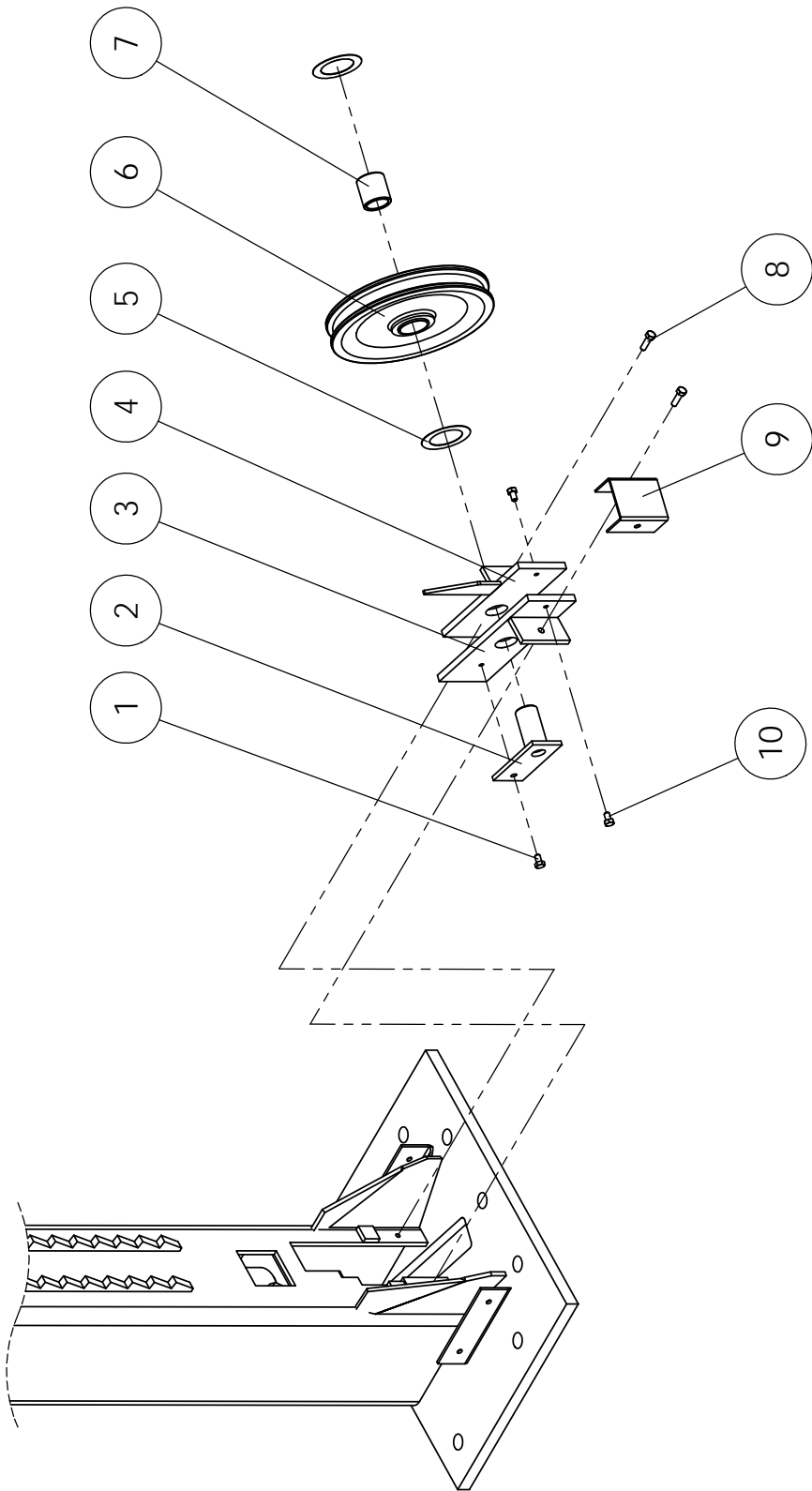
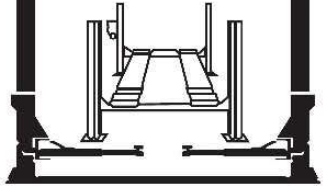
CARRIAGE NON CONTROL POST

ITEM #	PART DESCRIPTION	SPARE PART #
1	CARRIAGE - NON CONTROL POST	85A-KL-2
2	ROLL PIN 1/8"x1"	85A-D-13RP
3	SPRING FOR LONG CABLE	85A-D-25
4	SLEEVE CABLE SPRING	85A-D-24
5	BRACKET	85A-D-28
6	CIRCLIP 12mm (DIN 471-12)	85A-J-56
7	WASHER FLAT 1/2" ZC	85A-KR-128
8	TOGGLE SAFETY RH NON CONTROL POST	85A-KL-32
9	NUT LONG CABLE 1" WHITWORTH	85A-D-36
10	TOGGLE SAFETY LH NON CONTROL POST	85A-KL-31
11	WASHER FLAT M5	85A-D-78
12	LINKAGE SAFETY TOGGLE (2 PER CARRIAGE)	85A-KL-30
13	SPLIT PIN M2.5x12mm	85A-KL-33
14	CIRCLIP 12mm (DIN 471-12)	85A-J-56
15	WASHER FLAT 1/2" ZC	85A-KR-128
16	PIN SAFETY TOGGLE	85A-KL-35
17	SPRING SAFETY TOGGLE (2 PER CARRIAGE)	85A-KL-27
18	BOLT M6x10mm	85A-D-4
19	RUBBERS DOOR PROTECTORS (4 PER SET)	85A-KK-225R
20	BRACKET DOOR PROTECTORS (4 PER SET)	85A-KK-225B
	DOOR PROTECTORS (INCL. BRACKETS & RUBBERS - 4 PER SET)	85A-KK-225



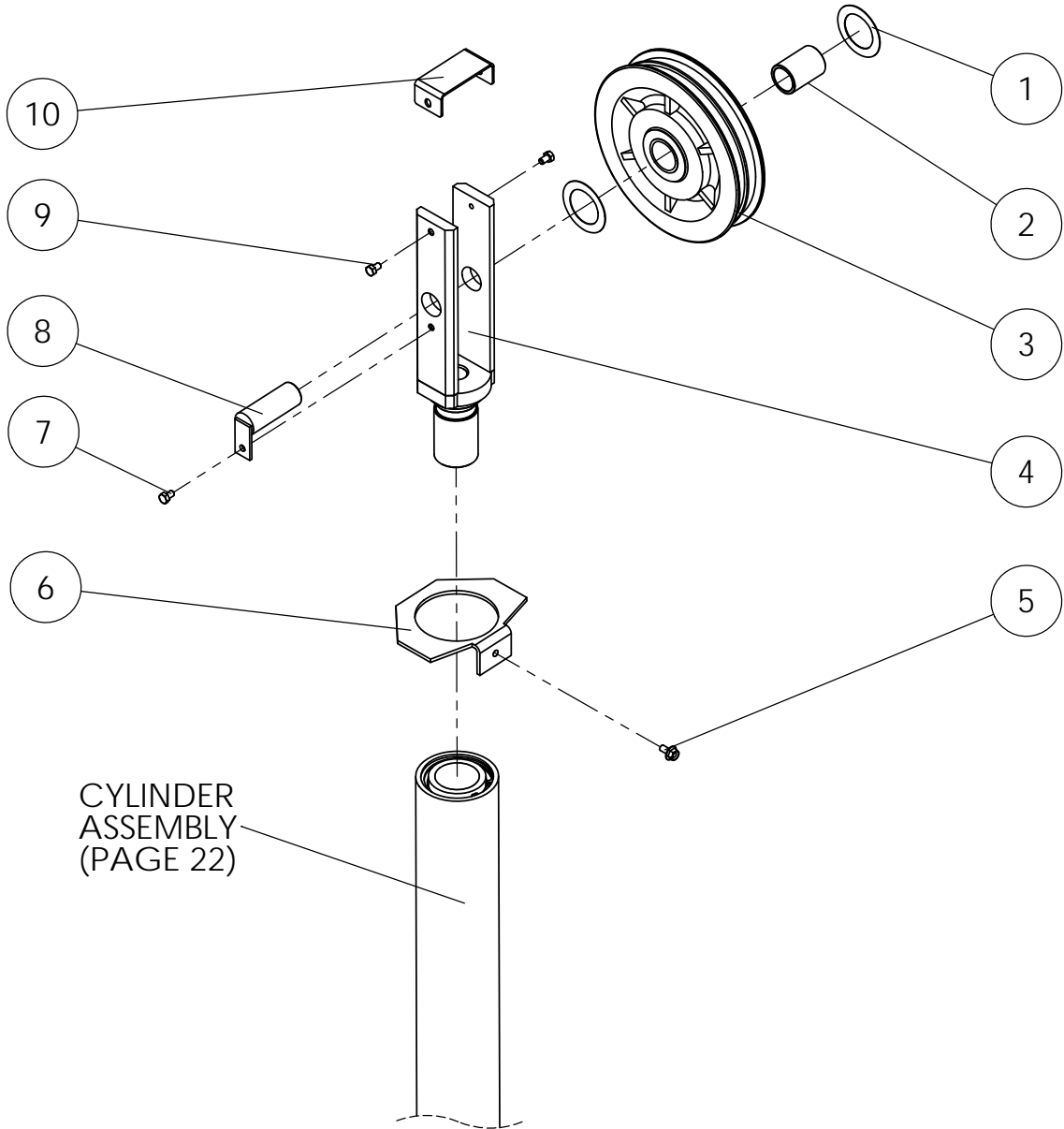
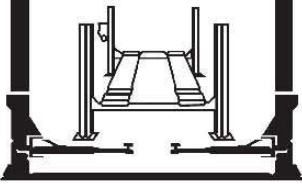
POST ASSEMBLIES

ITEM #	PART DESCRIPTION	SPARE PART #
1	SADDLE CONDUIT	85A-H-155
2	SCREW M5x6mm	85A-H-156
3	BOLT M6x12mm	85A-D-11
4	WASHER INTERNAL LOCK M6	4488-C-76
5	BRACKET CABLE RETAINING	85A-E-116
6	BASE FRAME ASSEMBLY	OH93-A-1
7	BOLT M16x40mm	85A-B-16
8	SCREW 8G X 5/8" COUNTERSUNK	85A-E-118
9	SADDLE HYDRAULIC PIPE	85A-E-117
10	POST CONTROL	OH93-B-252
11	POST NON CONTROL	OH93-C-253
12	BOLT M10X15 HHD	85A-KL-44



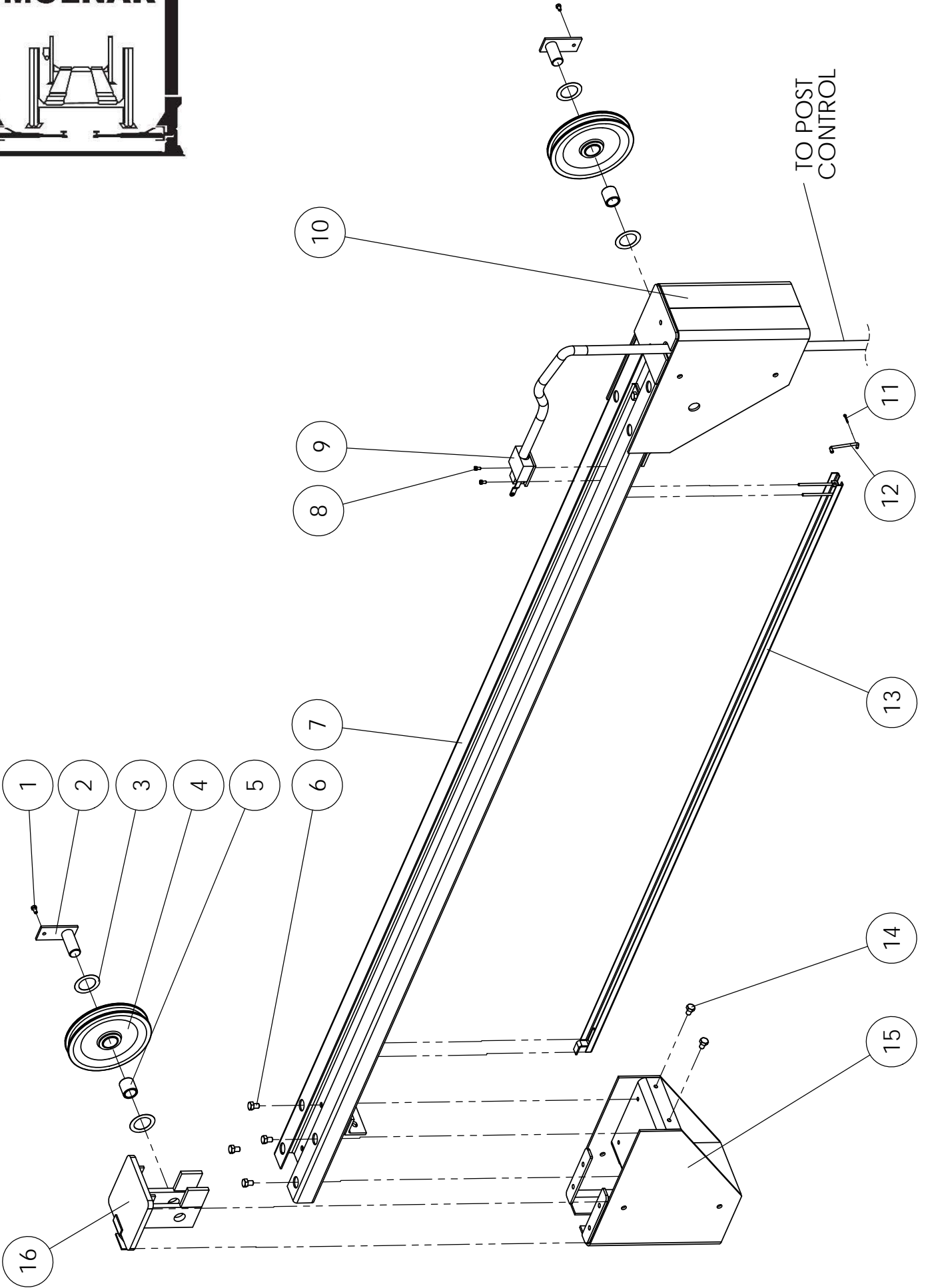
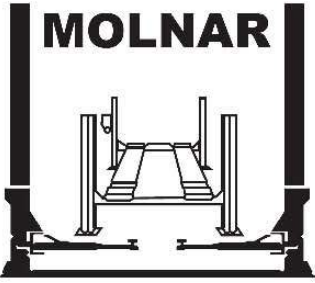
PULLEY ASSEMBLY BOTTOM CONTROL POST

ITEM #	PART DESCRIPTION	SPARE PART #
1	BOLT M6x12mm	85A-D-11
2	PIN BOTTOM PULLEY	85A-D-10
3	BRACKET BOTTOM PULLEY LEFT	OH93-D-267
4	BRACKET BOTTOM PULLEY RIGHT	OH93-D-266
5	WASHER SPACER 1 1/2"x2 1/4"x22G	85A-D-64
6	PULLEY SINGLE GROOVE (INCLUDES BUSH)	85A-D-9
	PULLEY SINGLE GROOVE ASSEMBLY (INCL. ITEMS # 2 PIN (x1), # 5 WASHER SPACER (x2), # 6 PULLEY (x1), # 7 BUSH (x1))	85A-D-9A
7	BUSH SINGLE GROOVE PULLEY	85A-D-12
8	BOLT M6x16mm	85A-D-6
9	CAP BOTTOM PULLEY	85A-D-5
10	BOLT M6x10mm	85A-D-4



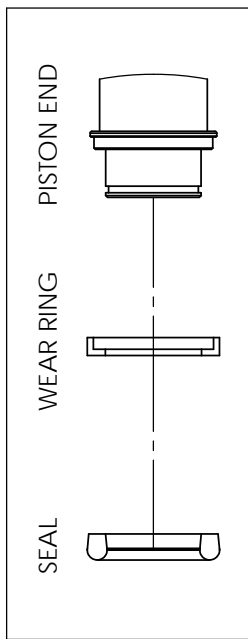
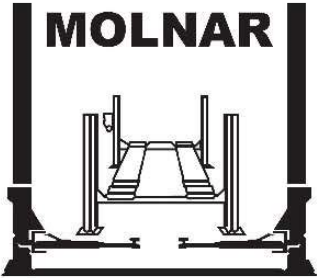
PULLEY ASSEMBLY CYLINDER

ITEM #	PART DESCRIPTION	SPARE PART #
1	WASHER SPACER 1 1/2"x2 1/4"x22G	85A-D-64
2	BUSH TWIN GROOVE PULLEY	85A-D-65
3	PULLEY TWIN GROOVE (INCLUDES BUSH)	85A-D-66
	PULLEY TWIN GROOVE ASSEMBLY (INCL. ITEMS # 1 WASHER SPACER (x2), # 2 BUSH (x1), # 3 PULLEY TWIN GROOVE (x1), # 8 PIN (x1))	85A-D-66A
4	FORK (INCLUDES FORK SLEEVE AND GRUB SCREW) FROM SERIAL NUMBER MF 10,376	85A-D-69N
	FORK ASSEMBLY (INCL. ITEMS # 1 WASHER SPACER (x2), # 2 BUSH (x1), # 3 PULLEY TWIN GROOVE (x1), # 4 FORK (x1), # 7 BOLT (x1), # 8 PIN (x1), # 9 BOLT (x2), # 10 CAP (x1))	85A-D-69A
5	BOLT M6x12mm	85A-D-11
6	BRACKET CYLINDER SUPPORT RING	85A-EE-275
7	BOLT M6x12mm	85A-D-11
8	PIN TWIN GROOVE PULLEY	85A-D-72
9	BOLT M6x10mm	85A-D-4
10	CAP CYLINDER PULLEY	85A-D-63

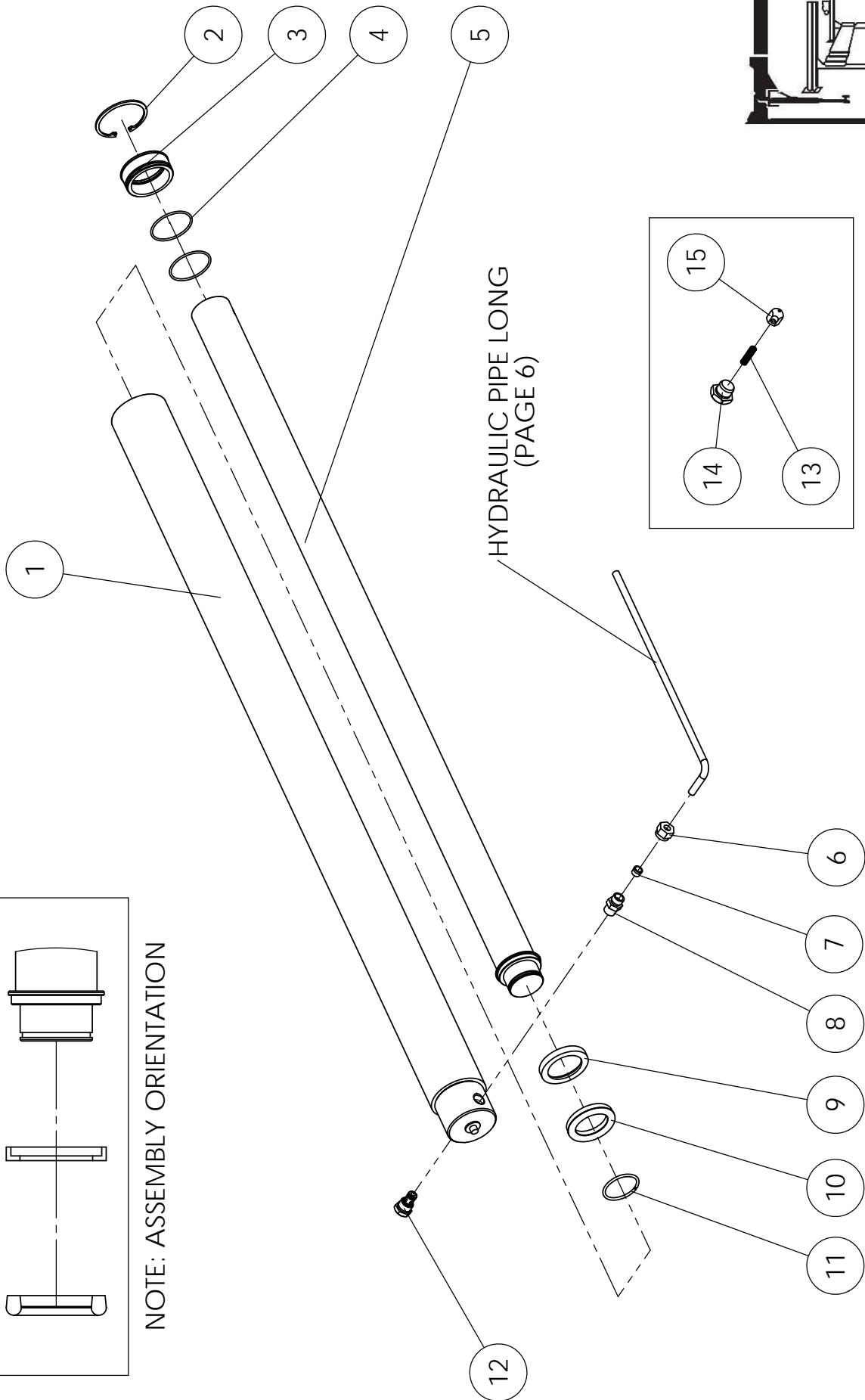


BRACE ASSEMBLY

ITEM #	PART DESCRIPTION	SPARE PART #
1	BOLT M6x12mm	85A-D-11
2	PIN TOP PULLEY NON CONTROL POST	85A-D-38
3	WASHER SPACER 1 1/2"x2 1/4"x22G	85A-D-64
4	PULLEY SINGLE GROOVE (INCLUDES BUSH)	85A-D-9
5	BUSH SINGLE GROOVE PULLEY	85A-D-12
6	BOLT M10X15 HHD	85A-KL-44
7	BRACE STANDARD (2650mm)	OH93-G-258
	BRACE EXTRA WIDE (2950mm)	OH93-G-258EW
8	BOLT M5x10mm	85A-H-95
9	LIMIT SWITCH	OH93-G-261
10	CAP CONTROL POST PULLEY HOUSING	OH93-B-260
11	SPLIT PIN M2.5x12mm	85A-KL-33
12	LINKAGE ACTIVATING BAR	OH93-G-265
13	LIMIT SWITCH ACTIVATING BAR (1835mm)	OH93-G-262
	LIMIT SWITCH ACTIVATING BAR EXTRA WIDE (2135mm)	OH93-G-262EW
14	BOLT M10X15 HHD	85A-KL-44
15	CAP NON CONTROL POST PULLEY HOUSING	OH93-C-259
16	BRACKET TOP PULLEY NON CONTROL SIDE	OH93-G-257



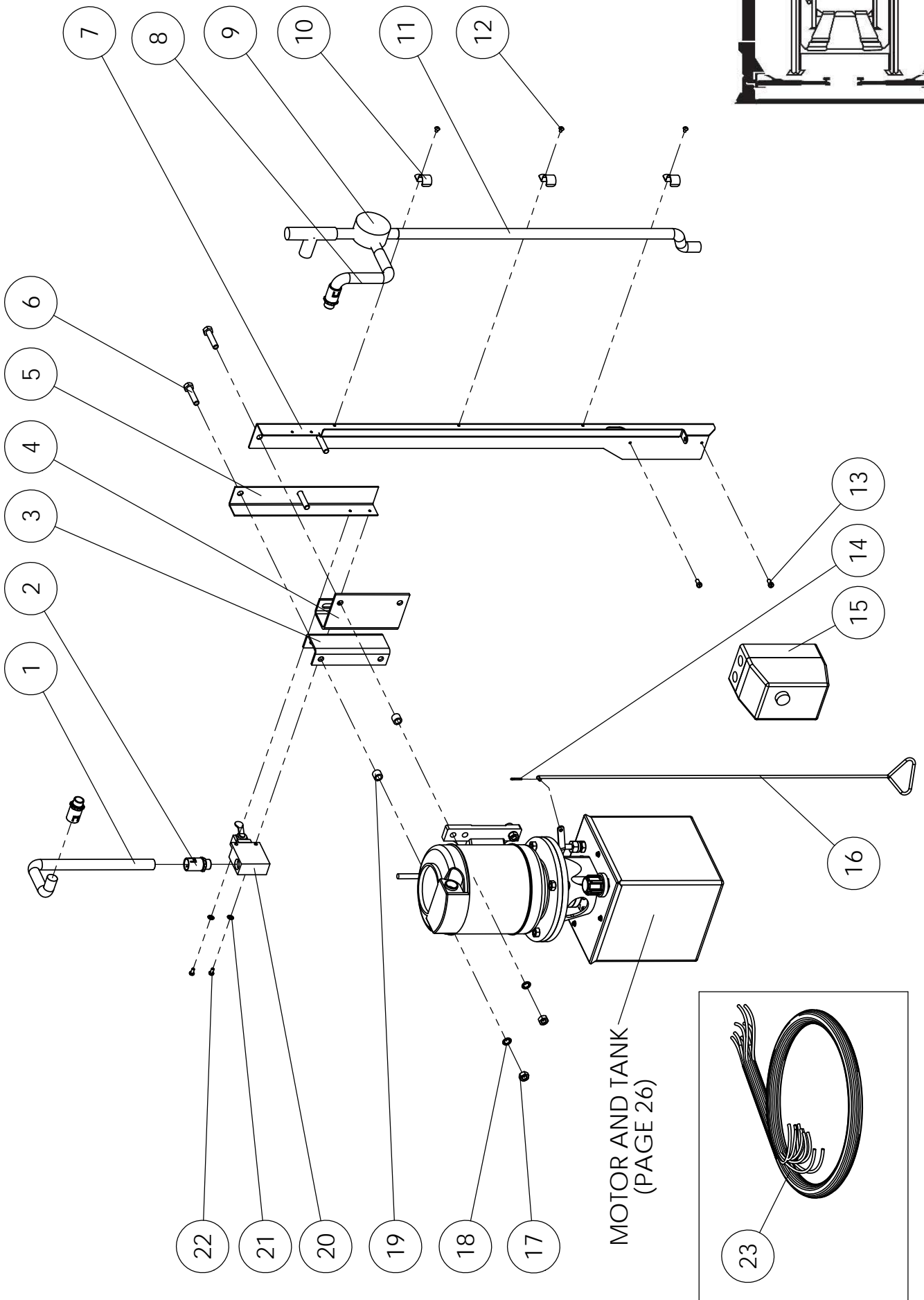
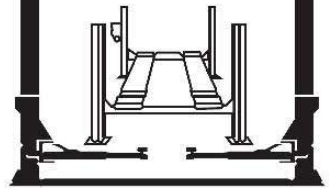
NOTE: ASSEMBLY ORIENTATION



NOTE: SUPERSEDED FLOW
RESTRICTOR ASSEMBLY

CYLINDER ASSEMBLY

ITEM #	PART DESCRIPTION	SPARE PART #
1	CYLINDER BARREL	85A-E-108
	HYDRAULIC CYLINDER ASSEMBLY INCLUDES ALL ITEMS EXCEPT HYDRAULIC PIPE	85A-E-108A
2	CIRCLIP 75mm (DIN 472-072)	85A-E-105
3	GUIDE BUSH 58mm ID	85A-E-107
4	O'RING (BS-140)	85A-E-106
5	PISTON ROD ASSEMBLY	85A-E-104
6	NUT ADAPTOR HYDRAULIC MC6	85A-F-226
7	OLIVE 3/8"	85A-F-227
8	ADAPTOR HYDRAULIC STRAIGHT	85A-E-220
9	WEAR RING	85A-E-110
10	SEAL 2 3/4" OD	85A-E-111
	CYLINDER SEAL KIT INCLUDES (ITEMS # 3 GUIDE BUSH (x1), # 4 O'RING (x2), # 9 WEAR RING (x1), # 10 SEAL (x1))	85A-EE-1S
11	RETAINER	85A-E-112
12	THROTTLE VALVE ASSEMBLY (FROM SERIAL NO. MF 10,291)	1007001
13	SPRING THROTTLE VALVE (SUPERSEDED BY ITEM # 12) (UP TO SERIAL NO. MF 10,290)	85A-E-114
14	BOLT THROTTLE VALVE (SUPERSEDED BY ITEM # 12) (UP TO SERIAL NO. MF 10,290)	85A-E-113
15	THROTTLE VALVE (SUPERSEDED BY ITEM # 12) (UP TO SERIAL NO. MF 10,290)	85A-E-115

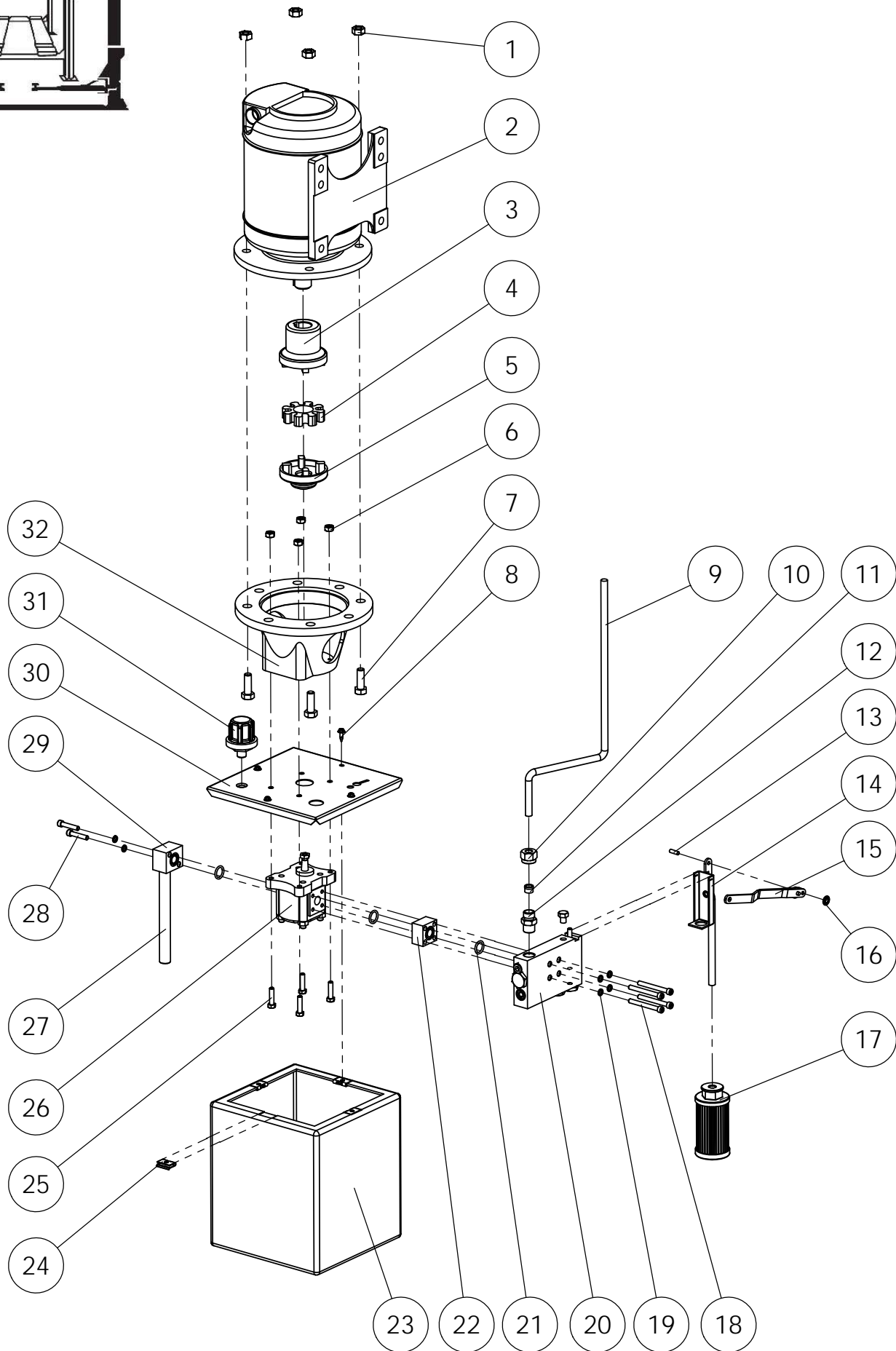
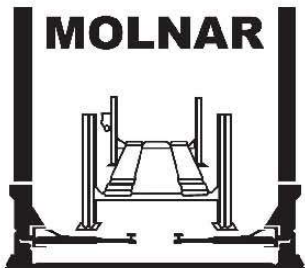


MOTOR AND TANK
(PAGE 26)

23

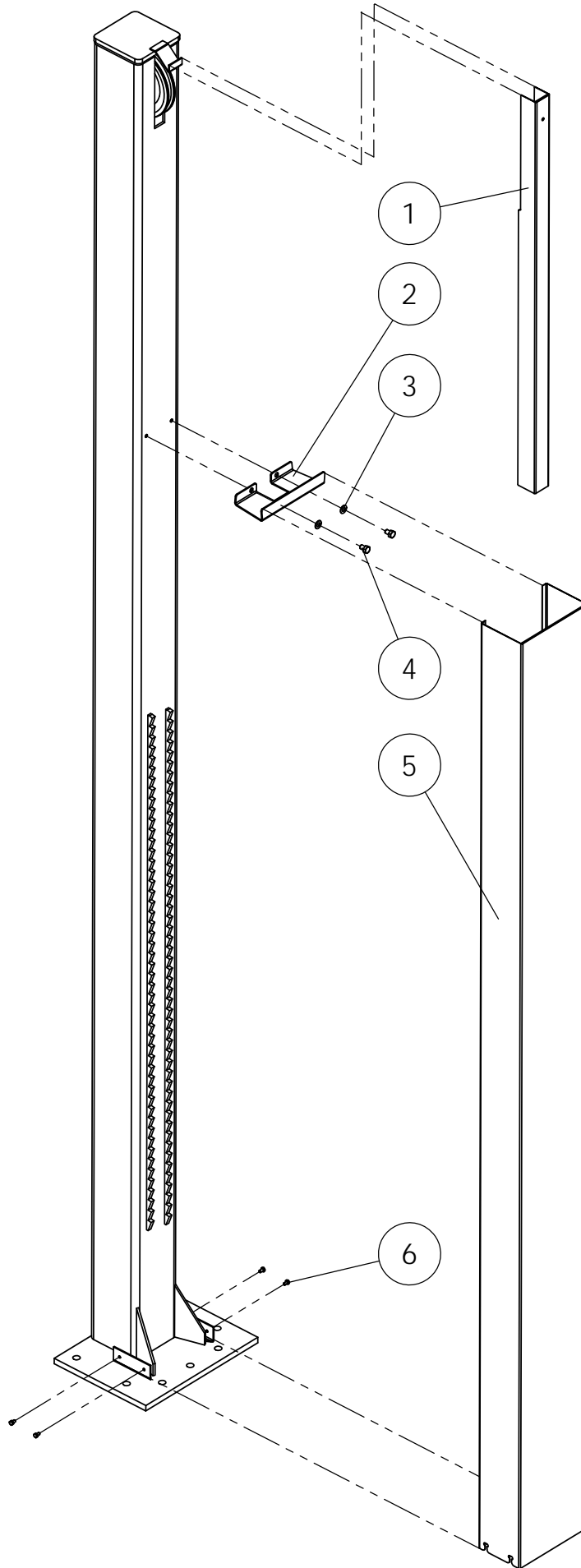
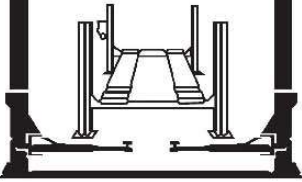
POWER PACK COMPLETE ASSEMBLY

ITEM #	PART DESCRIPTION	SPARE PART #
1	CONDUIT LIMIT SWITCH	85A-H-90
2	CONDUIT ADAPTOR STRAIGHT M20	4488-PP-303
3	BRACKET MOTOR LH	85A-H-84
4	BRACKET MOTOR RH	85A-H-83
5	BRACKET LIMIT SWITCH	85A-H-82
6	BOLT M10x45mm	85A-H-86
7	BRACKET STARTER	85A-H-82A
8	CONDUIT MOTOR	85A-H-91
9	CONDUIT JUNCTION	85A-H-153
10	SADDLE CONDUIT	85A-H-155
11	CONDUIT STARTER	85A-H-92
12	SCREW M5x6mm	85A-H-156
13	BOLT M5x10mm	85A-H-95
14	SPLIT PIN M2.5x12mm	85A-KL-33
15	STARTER BOX-TP (415V 3 PHASE)	85A-H-157
	STARTER BOX-SP (240V SINGLE PHASE)	85A-H-157SP
16	HANDLE LOWERING	85A-F-197
17	NUT M10	85A-H-87
18	WASHER INTERNAL LOCK M10	85A-D-134
19	SPACER	85A-H-88
20	LIMIT SWITCH	85A-H-94
21	WASHER INTERNAL LOCK M5	85A-H-96
22	BOLT M5x10mm	85A-H-95
23	WIRING LOOM WITH SADDLES & GLANDS (415V 3 PHASE)	OH93-HH-LOOM
	WIRING LOOM WITH SADDLES & GLANDS (240V SINGLE PHASE)	OH93-HH-LOOMSP



MOTOR AND TANK ASSEMBLY

ITEM #	PART DESCRIPTION	SPARE PART #
1	NUT M10	85A-F-396
2	MOTOR 415V 3 PHASE (INCLUDES COUPLING)	85A-F-101TP
	MOTOR 240V SINGLE PHASE (INCLUDES COUPLING)	85A-F-101SP
3	COUPLING MOTOR	85A-F-96
4	COUPLING RUBBER	85A-F-97
5	COUPLING PUMP	85A-F-100
6	NUT 1/4" ZINC	85A-F-274
7	BOLT M10x35mm	85A-F-169
8	SCREW TANK/LID 8Gx15mm	85A-F-161
9	HYDRAULIC PIPE (OIL TANK)	85A-E-222
10	NUT ADAPTOR HYDRAULIC MC6	85A-F-226
11	OLIVE 3/8"	85A-F-227
12	ADAPTOR HYDRAULIC STRAIGHT MC6-6T	85A-F-220
13	PIN PIVOT	85A-F-202
14	BRACKET CONTROL VALVE	85A-F-175
15	RELEASE LEVER	85A-F-201
16	SPEED CLIP M5	85A-F-200
17	FILTER	85A-F-280
18	BOLT M6x55mm	85A-F-174
19	WASHER SPRING 1/4"x1/16"x1/16"	4488-PP-146
20	CONTROL VALVE ASSEMBLY	85A-F-208A
	CONTROL VALVE ASSEMBLY-RECONDITIONED	85A-F-208A-REC
21	O RING 12mm	85A-F-170
22	ADAPTOR PUMP/VALVE	85A-F-171
23	TANK (EMPTY NO OIL)	85A-F-163
	TANK HYDRAULIC ASSEMBLY	85A-F-163A
	OIL CASTROL AWH 46 (5 LITRES)	OIL/H-5L
24	SPEED NUT	4488-PP-305
25	BOLT 1/4"x1" (ZINC)	85A-F-273
26	HYDRAULIC PUMP	85A-F-167
27	TUBE PICK UP	85A-F-166
28	BOLT M6x35mm	85A-F-164
29	ADAPTOR PUMP/PICK UP	85A-F-165
30	TANK LID	85A-F-162
31	BREATHER	85A-F-158
32	BELL HOUSING	85A-F-168
	POWER PACK ASSEMBLY (415V 3 PHASE)	85A-F-101TP
	POWER PACK ASSEMBLY (240V SINGLE PHASE)	85A-F-101SP

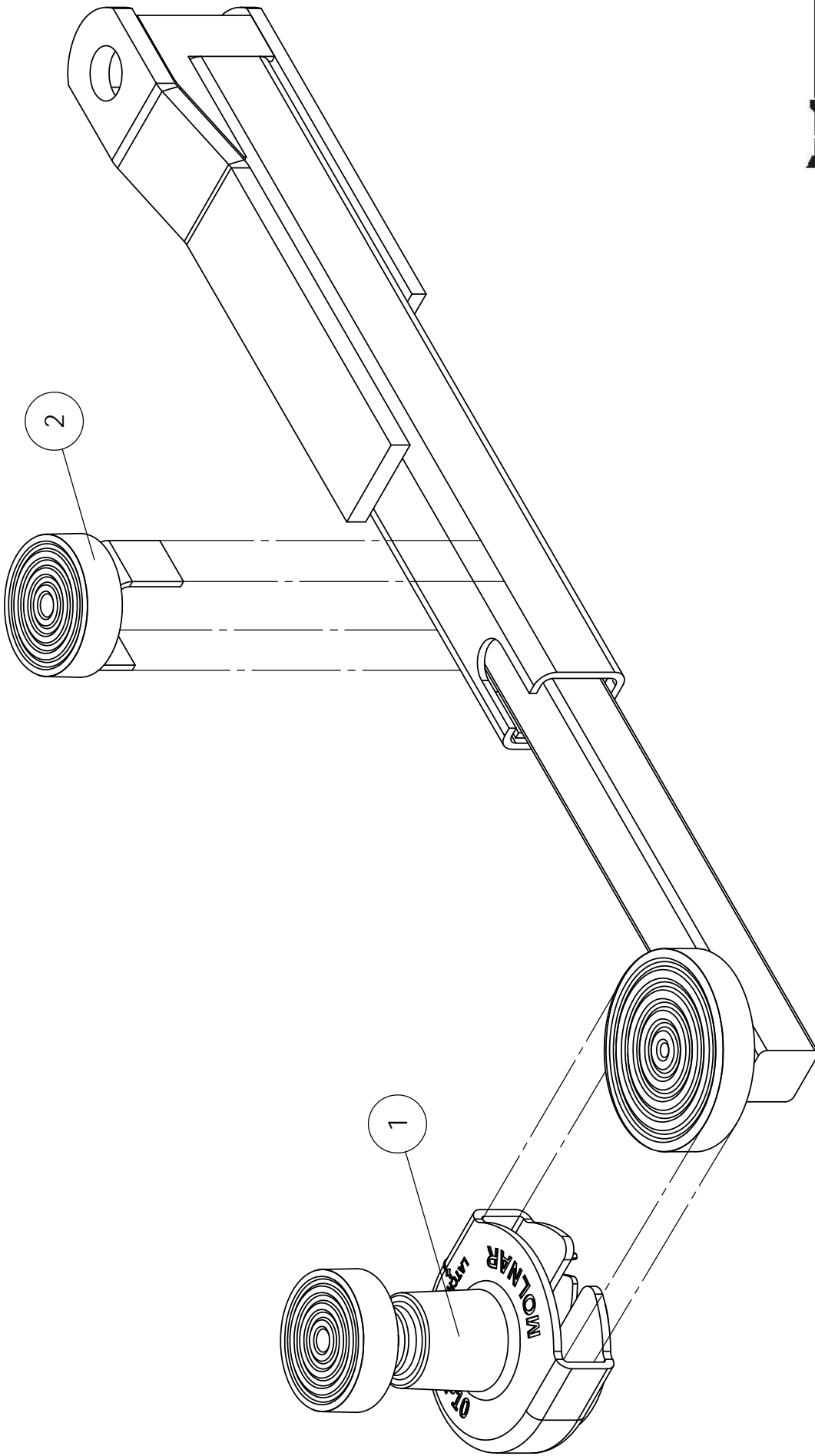
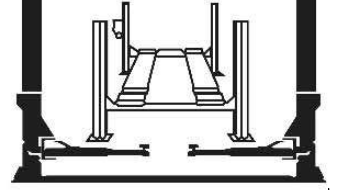


COVERS ASSEMBLY

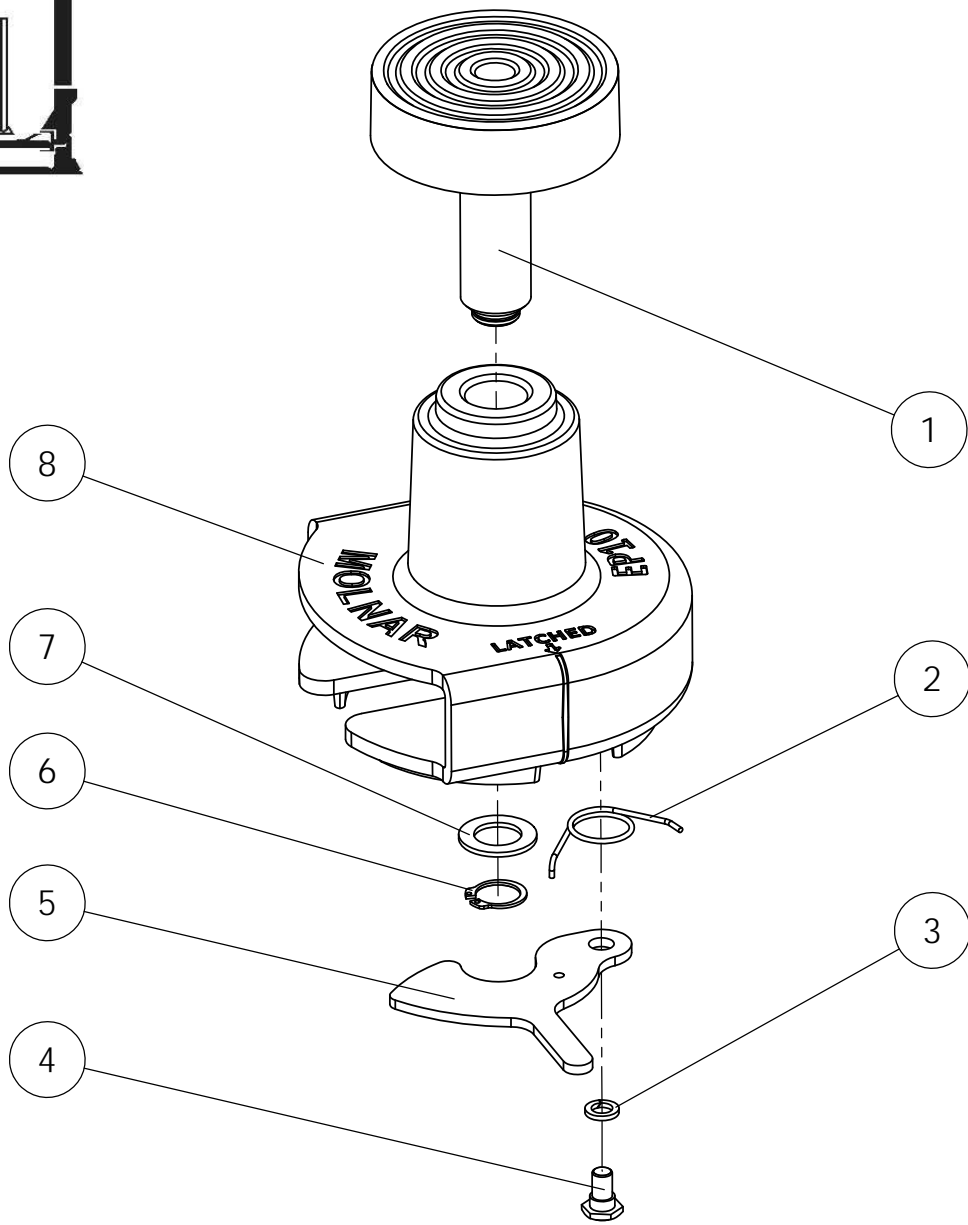
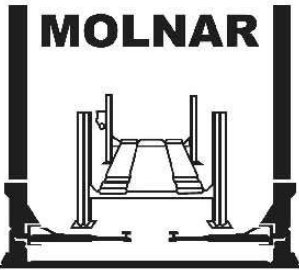
ITEM #	PART DESCRIPTION	SPARE PART #
1	COVER CABLE	OH93-C-272
2	BRACKET COVER MOUNTING	85A-B-151
3	WASHER FLAT M10	85A-D-132
4	BOLT M10x12mm	85A-C-41
5	COVER (ONE SIDE)	85A-B-14/1
	COVER SET (BOTH SIDES)	85A-B-14
6	BOLT M6x12mm	85A-D-11

STICKERS

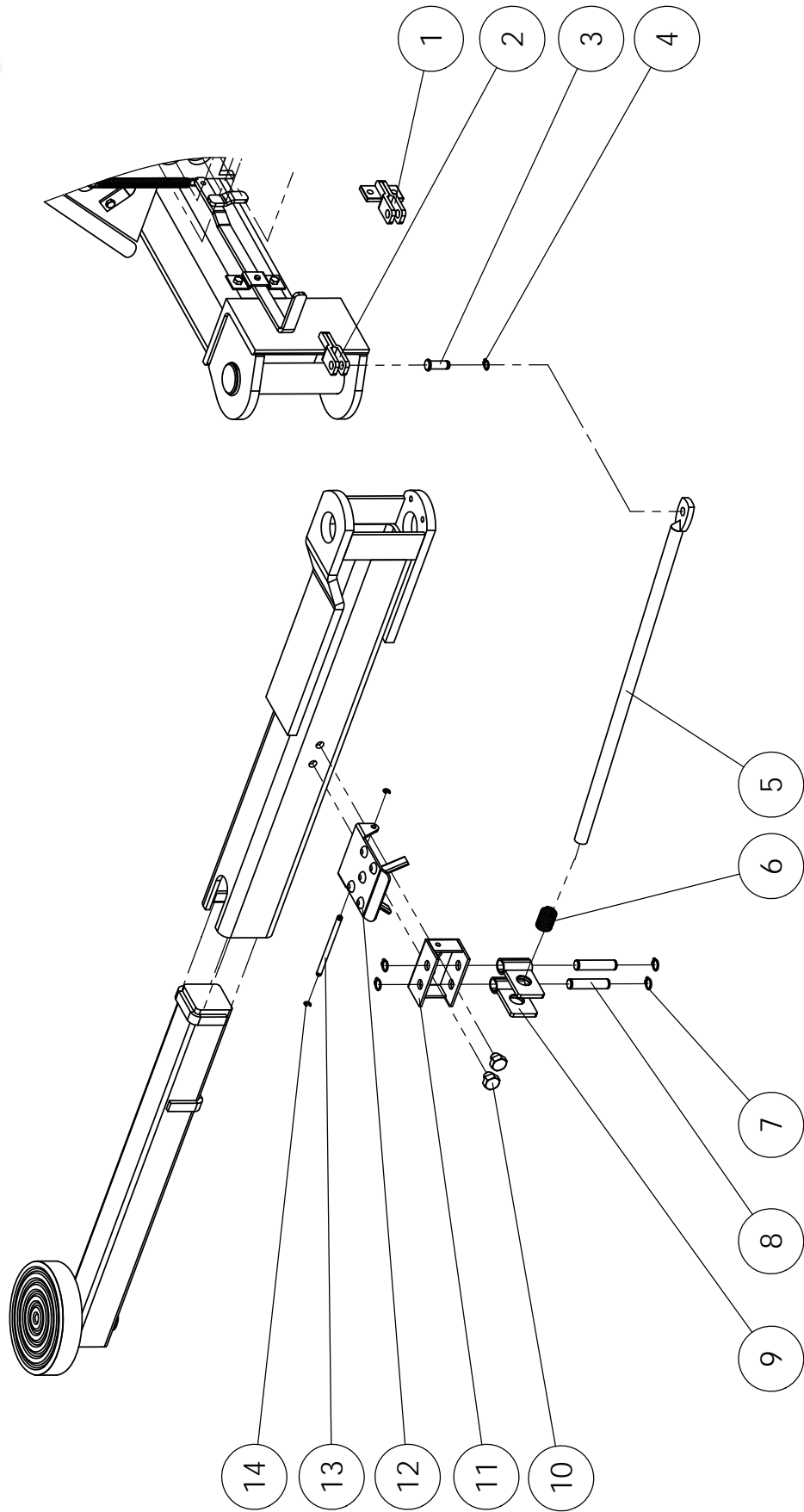
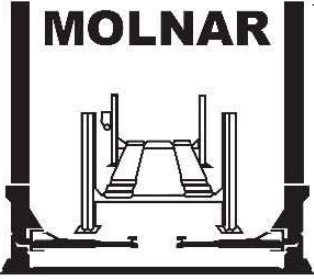
ITEM #	DESCRIPTION	SPARE PART #
1		STICKERS
2		STICKERS-H-THIN
3		OH93DECAL
4		ON/OFF
5		OH93MANUAL
6	 HOIST REQUIRES 5 LITRES OF OIL	OIL/H-5L



ITEM #	PART DESCRIPTION	SPARE PART #
1	EXTENSION PAD	EP10
2	STABILIZER PAD	J3AB

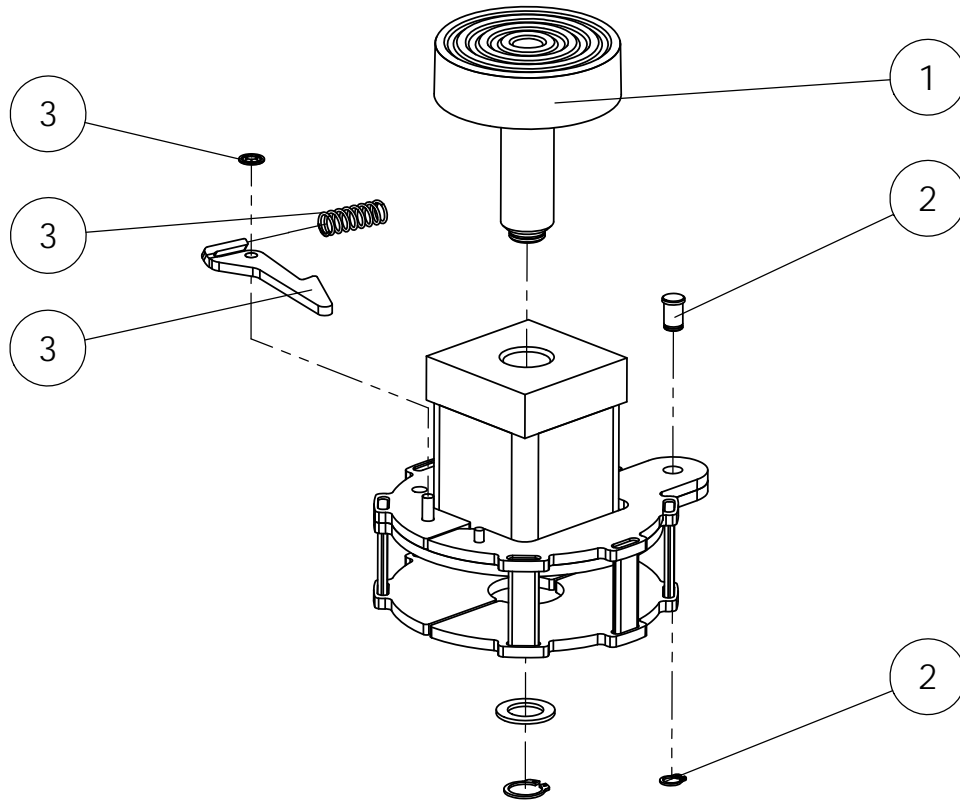
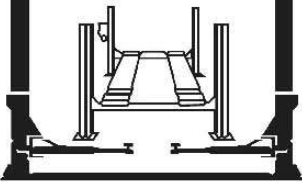


ITEM #	PART DESCRIPTION	SPARE PART #
1	PICK UP PAD (DIAMETER 100mm) SCREW IN	J3PUP
2	SPRING LATCH	5030001
3	WASHER SPRING M8	5017001
4	BOLT SHOULDER M8	5011001
5	LEVER LATCH	5006001
6	CIRCLIP 19mm (DIN 471-19)	JB87-10
7	WASHER (ZINC PLATED)	5017002
8	EP10 BODY	5013001
	LATCH ASSEMBLY EP10 (INCL. ITEMS # 2 SPRING (x1), # 3 WASHER (x1), # 4 BOLT (x1), # 5 LEVER (x1))	5026001



FOOT OPERATED ARM LOCK (SUPERSEDED)

ITEM #	PART DESCRIPTION	SPARE PART #
1	BRACKET PIVOT ARM (BOLT ON)	85A-J-48B
2	BRACKET PIVOT ARM (WELD ON)	85A-J-48W
3	PIN PIVOT LOCKING ARM ROD	85A-J-49
4	CIRCLIP 10mm (DIN 471-10)	85A-J-46
5	ROD LOCKING ARM	85A-J-61
6	SPRING	85A-J-59
7	CIRCLIP 12mm (DIN 471-12)	85A-J-56
8	PIN LOCKING PLATE PIVOT	85A-J-55
9	LOCKING PLATE	85A-J-58
10	BOLT 7/16" UNF X 3/8"	85A-J-60
11	BRACKET LOCKING ARM	85A-J-57
12	FOOT PEDAL	85A-J-354
13	PIN FOOT PEDAL	85A-J-356
14	E CLIP 4mm	85A-J-355
	ARM LOCKING KIT x4 (INCL. ITEMS # 2 BRACKET PIVOT (WELD ON) (x4), # 3 PIN PIVOT LOCKING ARM ROD (x4), # 4 CIRCLIP 10mm (x4), # 5 ROD LOCKING ARM (x4), # 6 SPRING (x4), # 7 CIRCLIP 12mm (x4), # 8 PIN LOCKING PLATE PIVOT (x8), # 9 LOCKING PLATE (x8), #10 BOLT (x8), # 11 BRACKET LOCKING ARM (x4))	85A-J-8550
	ARM LOCKING KIT x1 (INCL. ITEMS # 2 BRACKET PIVOT (WELD ON) (x1), # 3 PIN PIVOT LOCKING ARM ROD (x1), # 4 CIRCLIP 10mm (x1), # 5 ROD LOCKING ARM (x1), # 6 SPRING (x1), # 7 CIRCLIP 12mm (x1), # 8 PIN LOCKING PLATE PIVOT (x2), # 9 LOCKING PLATE (x2), #10 BOLT (x2), # 11 BRACKET LOCKING ARM (x1))	85A-J-85501/4
	ARM LOCKING KIT FOOT OPERATED x4 (INCL. ALL PARTS LISTED ABOVE PLUS ITEMS # 12 FOOT PEDAL (x4), # 13 PIN FOOT PEDAL (x4), # 14 E CLIP 4mm (x8))	85A-J-85357
	ARM LOCKING KIT FOOT OPERATED x1 (INCL. ALL PARTS LISTED ABOVE PLUS ITEMS # 12 FOOT PEDAL (x1), # 13 PIN FOOT PEDAL (x1), # 14 E CLIP 4mm (x2))	85A-J-853571/4



ITEM #	PART DESCRIPTION	SPARE PART #
1	PICK UP PAD (DIAMETER 100mm) SCREW IN	J3PUP
2	EP02 LATCH PIN ASSEMBLY INCLUDES PIVOT PIN AND CIRCLIP 10mm	EP02-L/P
3	EP02 LATCH ASSEMBLY INCLUDES LATCH, SPRING AND SPEED CLIP	EP02-L/A

415 VAC 3 PHASE to 240 VAC SINGLE PHASE CONVERSION

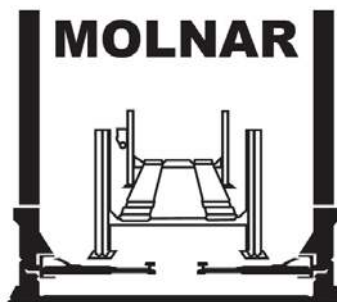
MOTOR 240V SINGLE PHASE (INCLUDES COUPLING). PART NO. 85A-F-101SP

USE EXISTING MOTOR MOUNT BOLTS

MOLNAR ENGINEERING STRONGLY ADVISES CONSULTING A QUALIFIED ELECTRICIAN BEFORE COMMENCING CONVERSION

ELECTRICIAN

- HOIST MUST BE WIRED BY A QUALIFIED ELECTRICIAN ACCORDING TO AS3000 OR SUPPLY AUTHORITY REGULATIONS
- MINIMUM SUPPLY CIRCUIT RATING REQUIRED 20 AMP
- MODIFY WIRING ON HOIST TO SUIT SINGLE PHASE (PART NO. OH93-HH-LOOMSP)
- EXCHANGE 415VAC CONTACTOR TO A 240VAC CONTACTOR INSIDE THE STARTER BOX OR REPLACE ENTIRE 415VAC STARTER BOX WITH 240VAC STARTER BOX (STARTER BOX-SP (240V SINGLE PHASE) PART NO. 85A-H-157SP)



MANUFACTURED BY:

MOLNAR ENGINEERING PTY. LTD.

A.B.N. 54 007 740 794

16-20 Coglin Street, Brompton, S.A. 5007 AUSTRALIA
Telephone: (08) 8346 6893, (08) 8346 6894, (08) 8346 8006
Fax: (08) 8346 0097, Web: www.molnarhoists.com.au
Email: spareparts@molnarhoists.com.au