

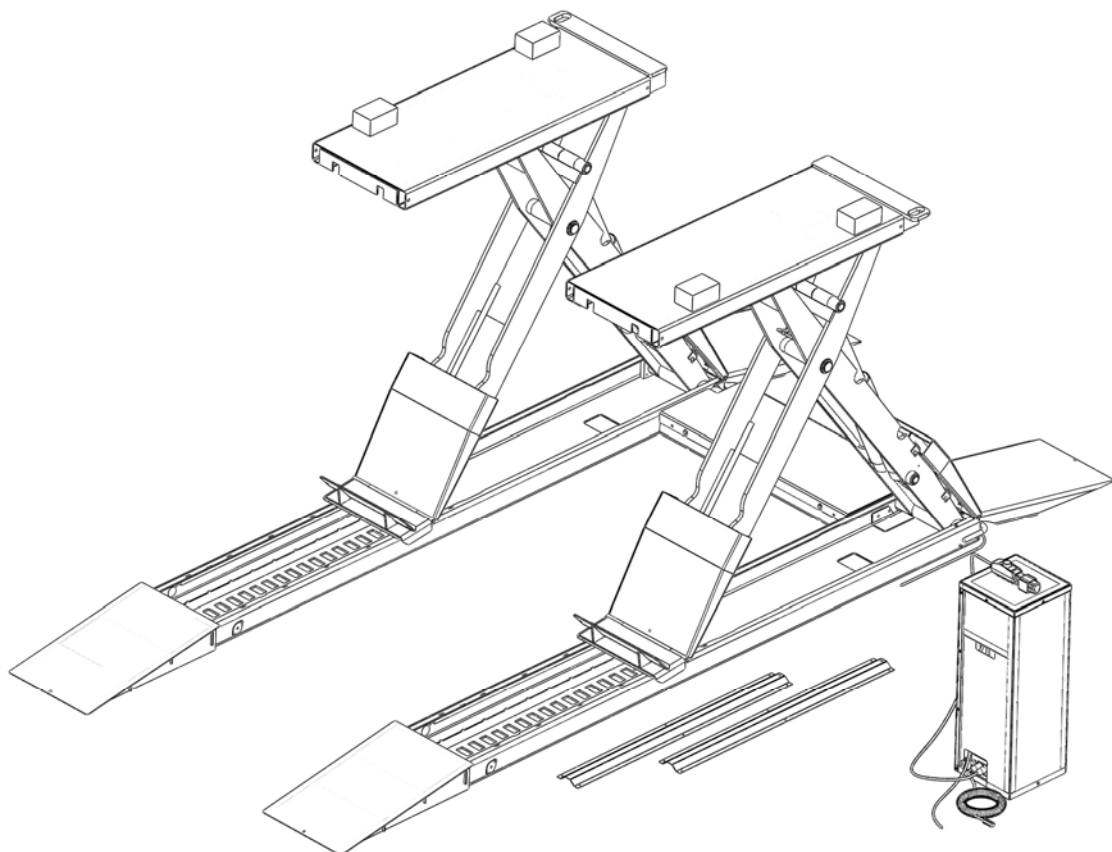
Makers of the famous
TWO-POST AND FOUR-POST
HOISTS & ACCESSORIES

MOLNAR ENGINEERING PTY. LTD.

SCISSOR LIFT

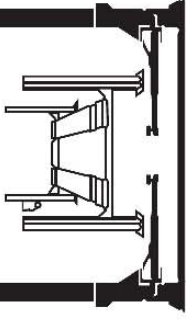
MODEL SL02

PARTS IDENTIFICATION MANUAL



Contents

Home Page	3
Base Assembly.....	4
Base Assembly Bill of Materials	5
Inner Scissor Assembly.....	6
Inner Scissor Assembly Bill of Materials	7
Outer Scissor Assembly.....	8
Outer Scissor Assembly Bill of Materials.....	9
Control Console Assembly	10
Control Console Assembly Bill of Materials.....	11
Control Console Components	12
Control Console Components Bill of Materials.....	13
Control Components	14
Control Components Bill of Materials.....	15
Motor and Tank Assembly	16
Motor and Tank Assembly Bill of Materials.....	17
Hydraulic Cylinder Assembly.....	18
Hydraulic Cylinder Assembly Bill of Materials	19
Top Plate and Run-Up	20
Top Plate and Run-Up Bill of Materials.....	21
Limit Switch Assembly	22
Limit Switch Assembly Bill of Materials	23
Stickers Bill of Materials.....	24
Run-Off (Optional)	25
Accessories.....	26
415VAC 3 Phase to 240VAC Single Phase Conversion	27



HYDRAULIC CYLINDER ASSEMBLY
(PAGE 18)

INNER SCISSOR ASSEMBLY
(PAGE 6)

LIMIT SWITCH ASSEMBLY (INSIDE)
(PAGE 22)

CONTROL COMPONENTS
(INSIDE)
(PAGE 14)

RUN-UP ASSEMBLY
(PAGE 20)

CONTROL CONSOLE
COMPONENTS
(PAGE 12)

MOTOR AND TANK
ASSEMBLY
(PAGE 16)

CONTROL CONSOLE
ASSEMBLY
(PAGE 10)

CABLE COVERS
(PAGE 4)

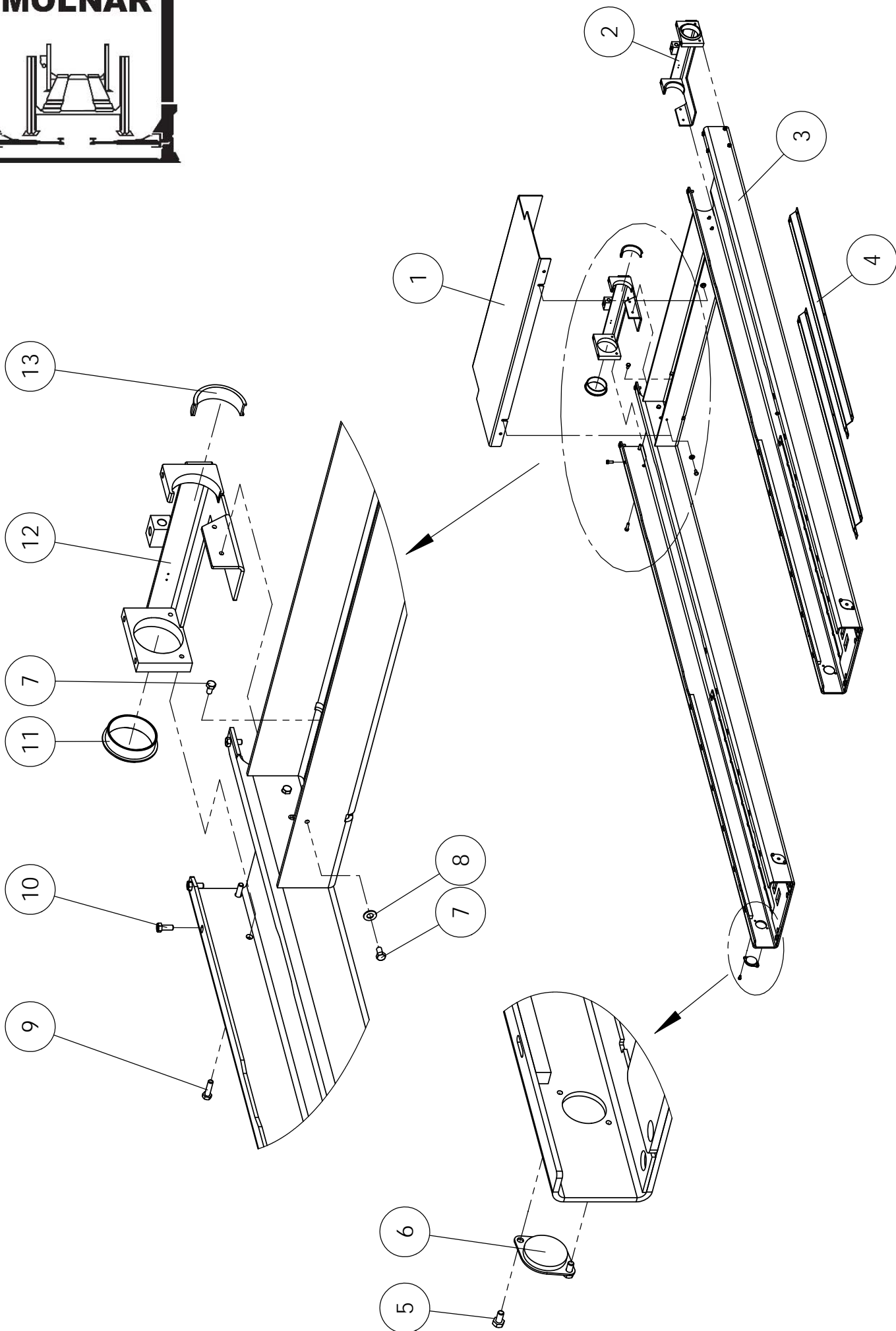
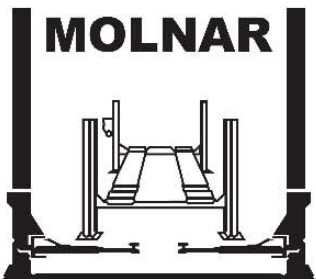
BASE ASSEMBLY
(PAGE 4)

RUN-OFF (OPTIONAL)
(PAGE 25)

TOP PLATE ASSEMBLY
(PAGE 20)

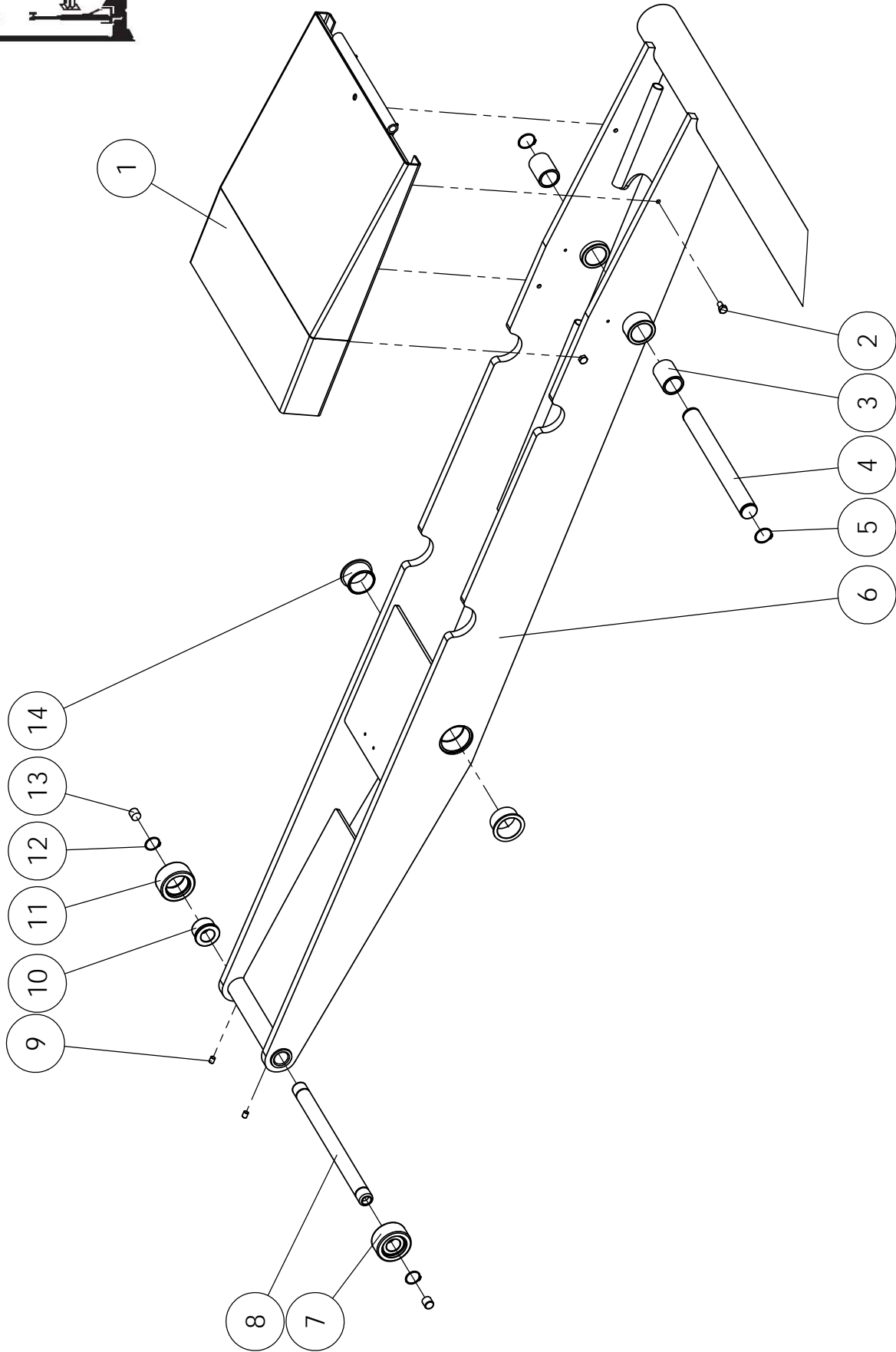
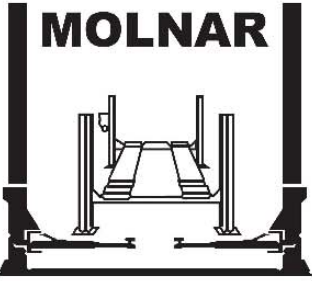
OUTER SCISSOR ASSEMBLY
(PAGE 8)

SCISSOR LIFT SL02



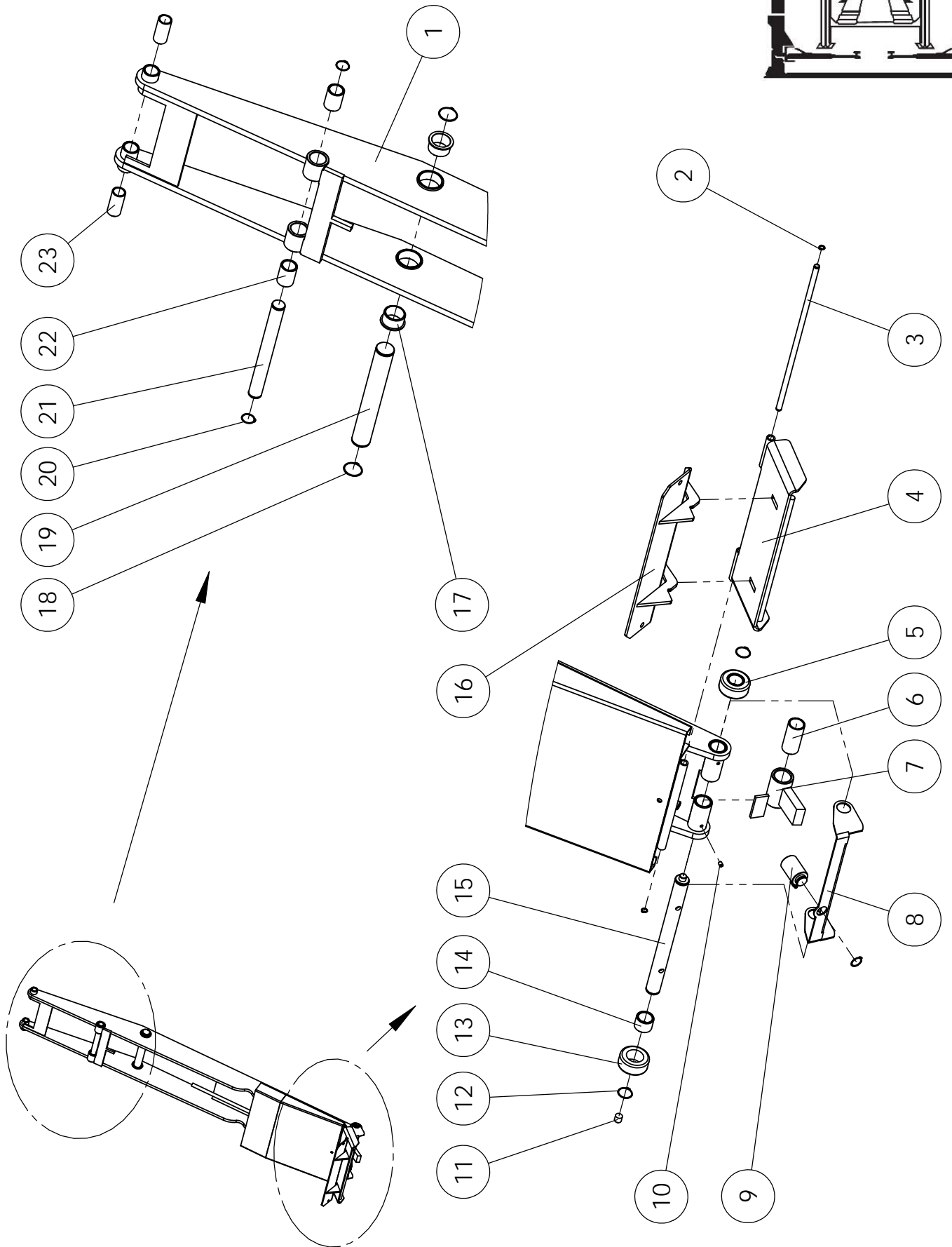
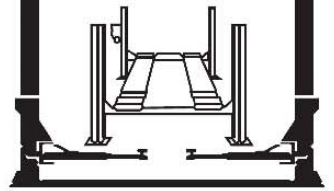
BASE ASSEMBLY

ITEM #	PART DESCRIPTION	SPARE PART #
1	COVER PLATE	SLO2-10
2	BRACKET PIVOT BLOCK L/H	SLO2-04
3	BASE ASSEMBLY	SLO2-01
4	COVER CABLE	SLO2-93
5	BOLT M6x12mm	85A-D-11
6	COVER BASE ROLLER SHAFT	SLO2-94
7	BOLT M8x16mm	SLO2-03
8	WASHER FLAT 8mm	4488-TB-28
9	BOLT M8x30mm	SLO2-02
10	BOLT M8x20mm	SLO2-09
11	BUSH PIVOT (FULL BUSH)	SLO2-05
12	BRACKET PIVOT BLOCK R/H	SLO2-68
13	BUSH PIVOT (1/2 BUSH)	SLO2-06



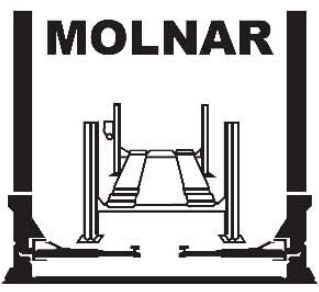
INNER SCISSOR ASSEMBLY

ITEM #	PART DESCRIPTION	SPARE PART #
1	RAMP INTERMEDIATE	SLO2-29
2	BOLT M8x16mm	SLO2-03
3	BUSH HYDRAULIC CYLINDER PIVOT	SLO2-26
4	SHAFT HYDRAULIC CYLINDER PIVOT	SLO2-19
5	CIRCLIP 30mm (DIN 471-30)	SLO2-20
6	SCISSOR INNER	SLO2-12
7	ROLLER ASSEMBLY (INCL. ITEM # 10 BUSH)	SLO2-51A
8	SHAFT TOP ROLLER	SLO2-52
9	GRUB SCREW M8x10mm	SLO2-120
10	BUSH ROLLER	SLO2-50
11	ROLLER	SLO2-51
12	CIRCLIP 25mm (DIN 471-25)	4488-TB-31
13	GUIDE ROLLER SHAFT	SLO2-49
14	BUSH PIVOT CENTRE	SLO2-23

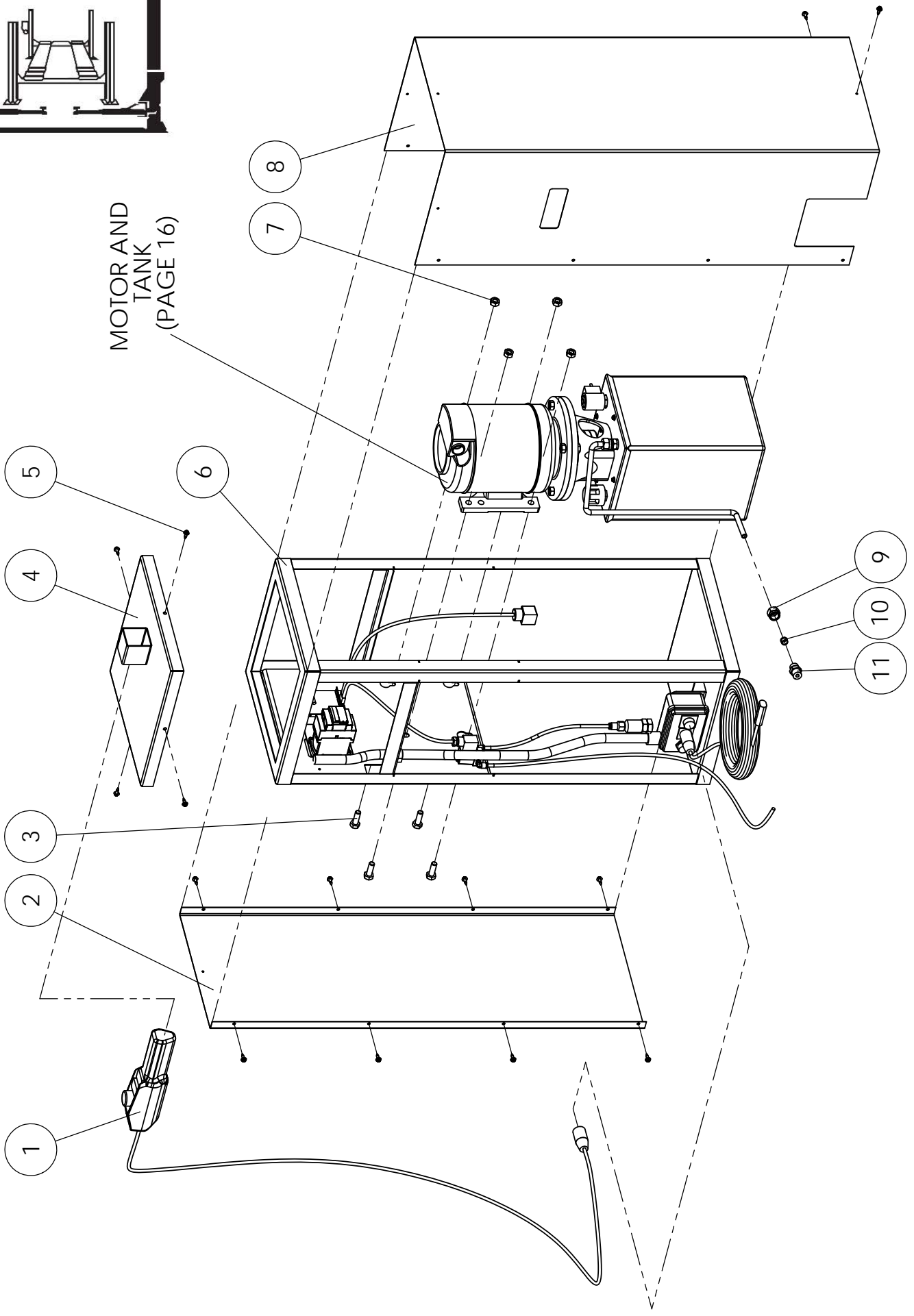


OUTER SCISSOR ASSEMBLY

ITEM #	PART DESCRIPTION	SPARE PART #
1	SCISSOR OUTER	SLO2-11
2	CIRCLIP 12mm (DIN 471-12)	85A-J-56
3	SHAFT RAMP PIVOT	SLO2-28
4	RUN OFF RAMP	SLO2-85
5	ROLLER LOWER ASSEMBLY (INCL. ITEM # 13 BUSH x1)	SLO2-56A
6	BUSH SAFETY TOGGLE	SLO2-67
7	SAFETY TOGGLE	SLO2-66
	SAFETY TOGGLE ASSEMBLY (INCL. ITEM # 6 BUSH x1)	SLO2-66A
8	BRACKET SAFETY TOGGLE	SLO2-65
9	AIR CYLINDER ASSEMBLY	SLO2-63A
10	GRUB SCREW M8x10mm	SLO2-72
11	GUIDE ROLLER SHAFT	SLO2-49
12	CIRCLIP 32mm (DIN 471-32)	SLO2-54
13	ROLLER (LOWER)	SLO2-56
14	BUSH ROLLER (LOWER)	SLO2-55
15	SHAFT LOWER ROLLER	SLO2-57
	SHAFT LOWER ROLLER ASSEMBLY (INCL. ITEM # 10 GUIDE x2)	SLO2-57A
16	STOP PLATE	SLO2-87
17	BUSH PIVOT CENTRE	SLO2-23
18	CIRCLIP 42mm (DIN 471-42)	SLO2-21
19	SHAFT CENTRE PIVOT	SLO2-22
20	CIRCLIP 30mm (DIN 471-30)	SLO2-20
21	SHAFT HYDRAULIC CYLINDER PIVOT	SLO2-19
22	BUSH HYDRAULIC CYLINDER PIVOT	SLO2-26
23	BUSH TOP PIVOT	SLO2-47

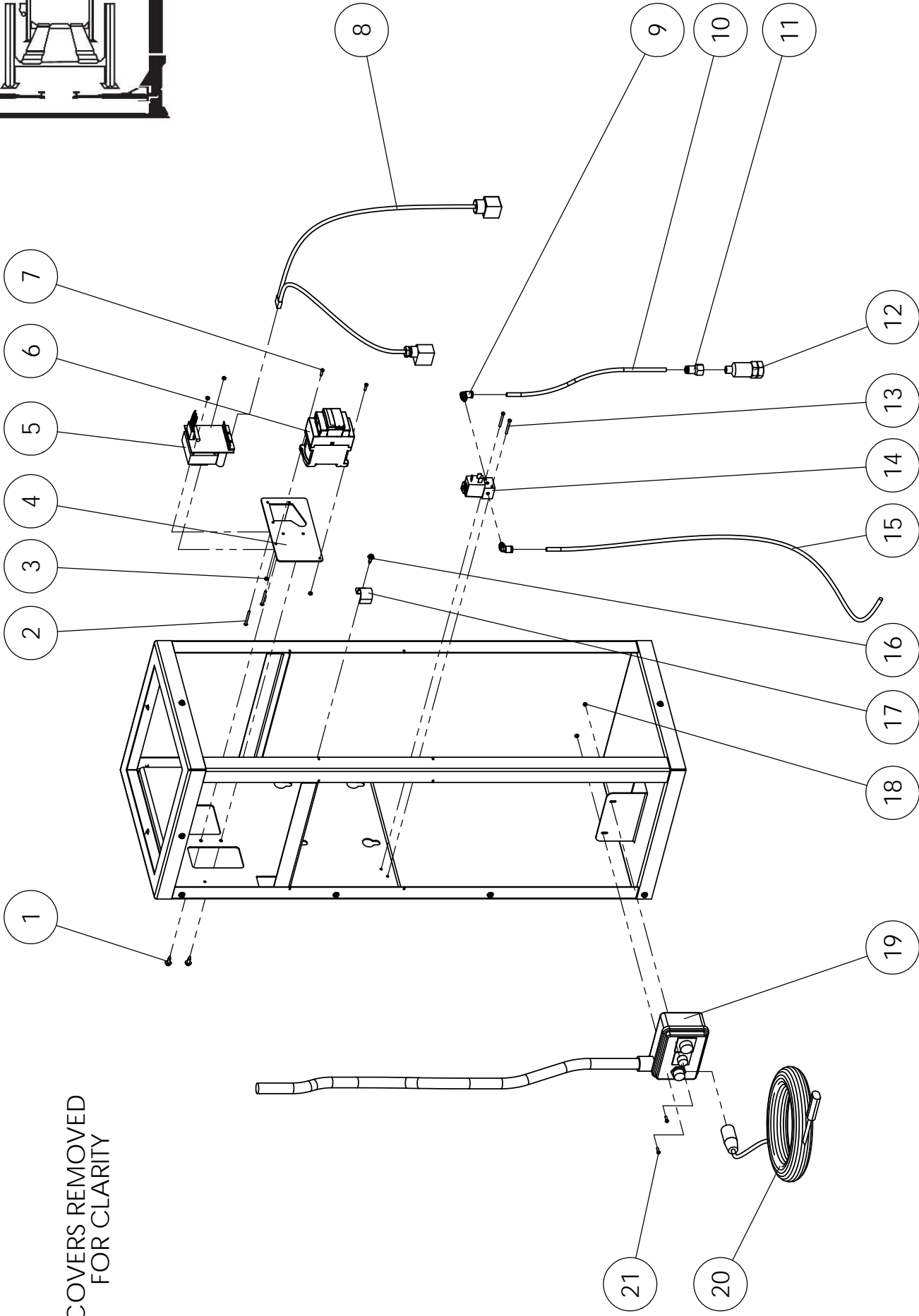
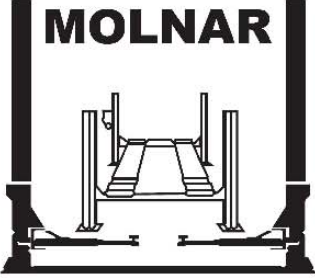


MOTOR AND
TANK
(PAGE 16)



CONTROL CONSOLE ASSEMBLY

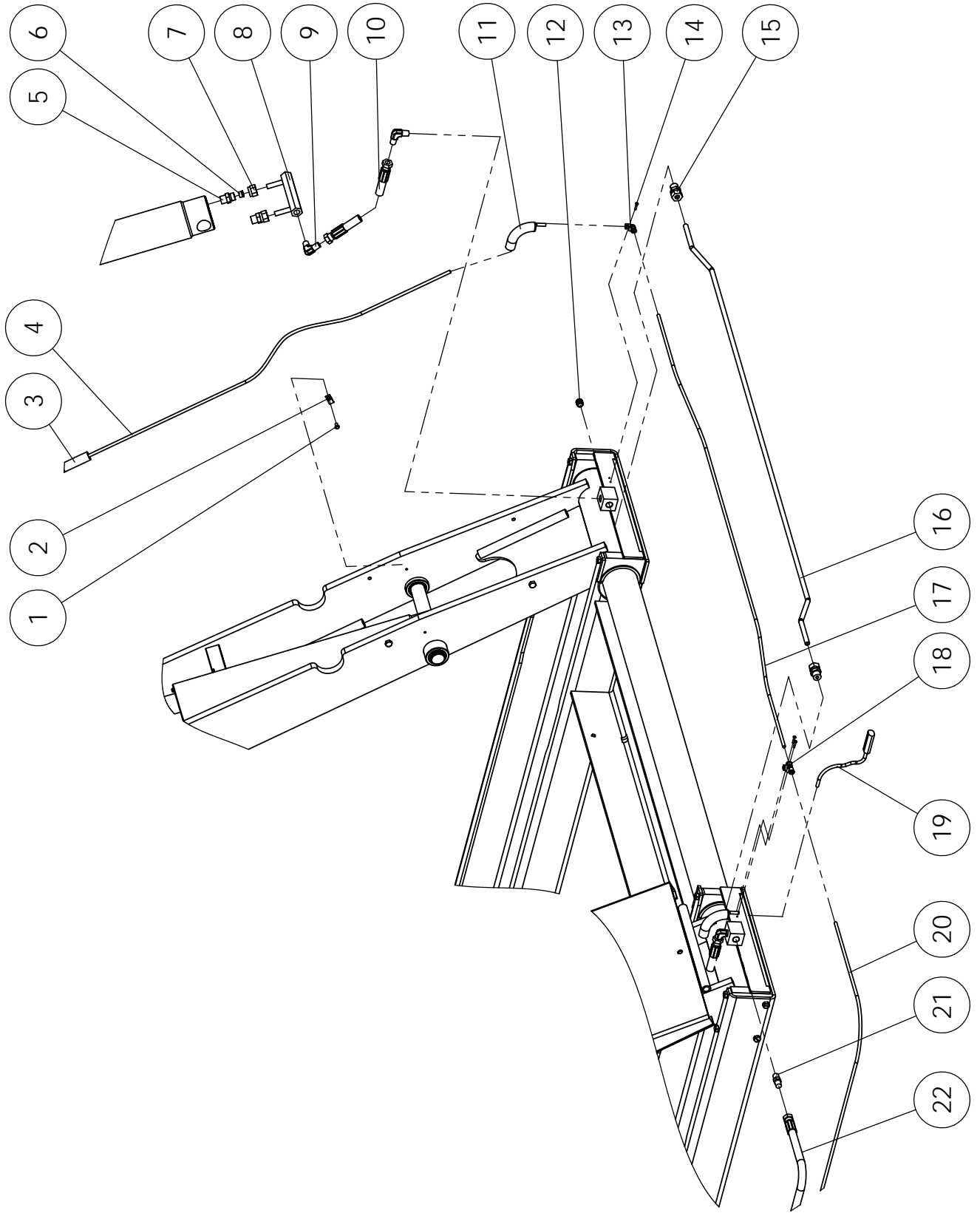
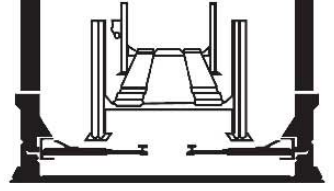
ITEM #	PART DESCRIPTION	SPARE PART #
1	HAND CONTROLLER (WITH CABLE)	SLO2-100
2	COVER REAR	SLO2-82
3	BOLT M10x25mm	4488-PP-168
4	COVER TOP	SLO2-83
5	SCREW TANK/LID 8Gx15mm	85A-F-161
6	CONSOLE FRAME	SLO2-84
7	NUT M10	85A-H-87
8	COVER FRONT	SLO2-81
9	NUT ADAPTOR HYDRAULIC MC6	85A-F-226
10	OLIVE 3/8"	85A-F-227
11	ADAPTOR HYDRAULIC STRAIGHT MC6-6T	85A-F-220



COVERS REMOVED
FOR CLARITY

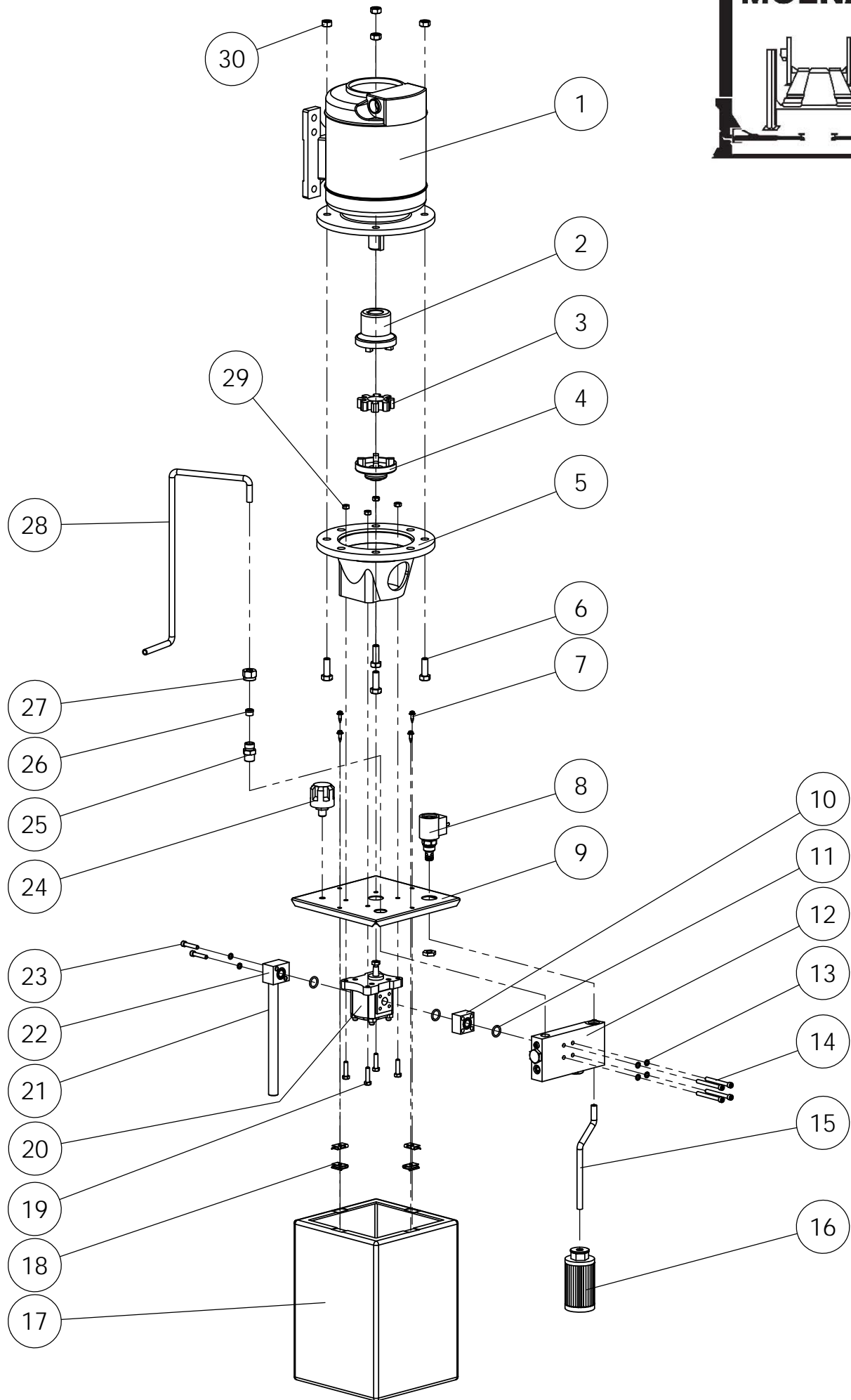
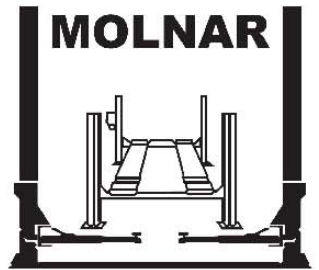
CONTROL CONSOLE COMPONENTS

ITEM #	PART DESCRIPTION	SPARE PART #
1	SCREW #8x15mm TEK	SLO2-138
2	SCREW M3x30mm	SLO2-134
3	NUT M3	SLO2-114
4	BRACKET CONTROL BOARD	SLO2-92
5	CONROL BOARD TRANSFORMER	SLO2-133
6	CONTACTOR	SLO2-101
7	SCREW M3x12mm PAN PHILIPS HEAD	SLO2-136
8	WIRING LOOM COMPLETE - L3 & L4	SLO2-106
9	AIR FITTING QSML-6 - ELBOW	SLO2-155
10	AIR LINE 580mm PNU 6 X 1	SLO2-149
11	AIR FITTING QSF - 1/4-6-B	SLO2-146
12	INLINE AIR FILTER COMPLETE	SLO2-147
13	SCREW M3x30mm	SLO2-134
14	AIR VALVE & COIL ASSEMBLY (INCL. SOLENOID)	SLO2-153-OA
15	AIR LINE 9500mm PNU-6 X 1	SLO2-150
16	SCREW #8x15mm TEK	SLO2-138
17	SADDLE CONDUIT	85A-H-155
18	NUT M3	SLO2-114
19	PLUG & WIRING LOOM ASSEMBLY SL1	SLO2-139
20	WIRING LOOM L1- LIMIT SWITCH	SLO2-104
21	SCREW M3x10mm	SLO2-158



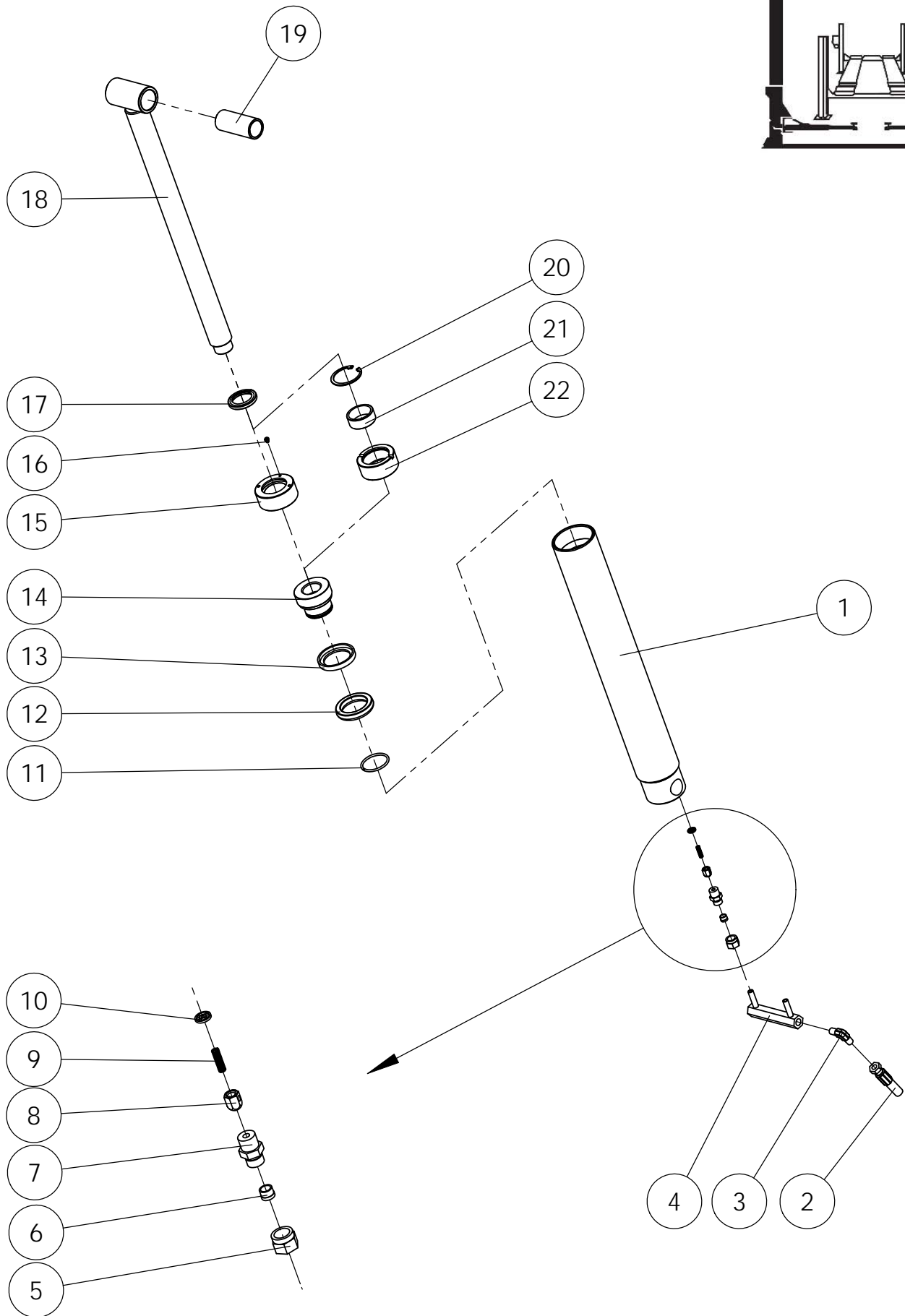
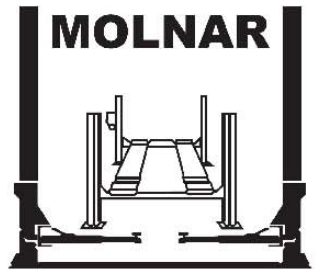
CONTROL COMPONENTS

ITEM #	PART DESCRIPTION	SPARE PART #
1	BOLT M5x10mm	85A-H-95
2	SADDLE AIR LINE	SLO2-98
3	SPRING CONDUIT 820mm	SLO2-75
4	AIR LINE 3000mm PNU-6 X 1	SLO2-152
5	ADAPTOR HYDRAULIC STRAIGHT MC6-6T	85A-F-220
6	OLIVE 3/8"	85A-F-227
7	NUT ADAPTOR HYDRAULIC MC6	85A-F-226
8	CYLINDER MANIFOLD	SLO2-96
9	ADAPTOR ELBOW HYDRAULIC	SLO2-166
10	HYDRAULIC HOSE (SHORT)	PL92-116
11	SPRING CONDUIT 185mm	SLO2-76
12	HYDRAULIC PLUG 1/4" BSP	SLO2-164
13	AIR FITTING QSML-6 - ELBOW	SLO2-155
14	SCREW M3x16mm	SLO2-113
15	ADAPTOR NIPPLE MC6-4T (INCL. NUT, OLIVE)	SLO2-174
16	LINK TUBE HYDRAULIC	SLO2-169
17	AIR LINE 1450mm PNU-6 X 1	SLO2-151
18	AIR FITTING QSMT-6 - TEE	SLO2-157
19	CABLE LIMIT SWITCH	SLO2-105
20	AIR LINE 9500mm PNU-6 X 1	SLO2-150
21	ADAPTOR NIPPLE HYDRAULIC 1/4"x1/4"	SLO2-168
22	HYDRAULIC HOSE (LONG)	SLO2-165



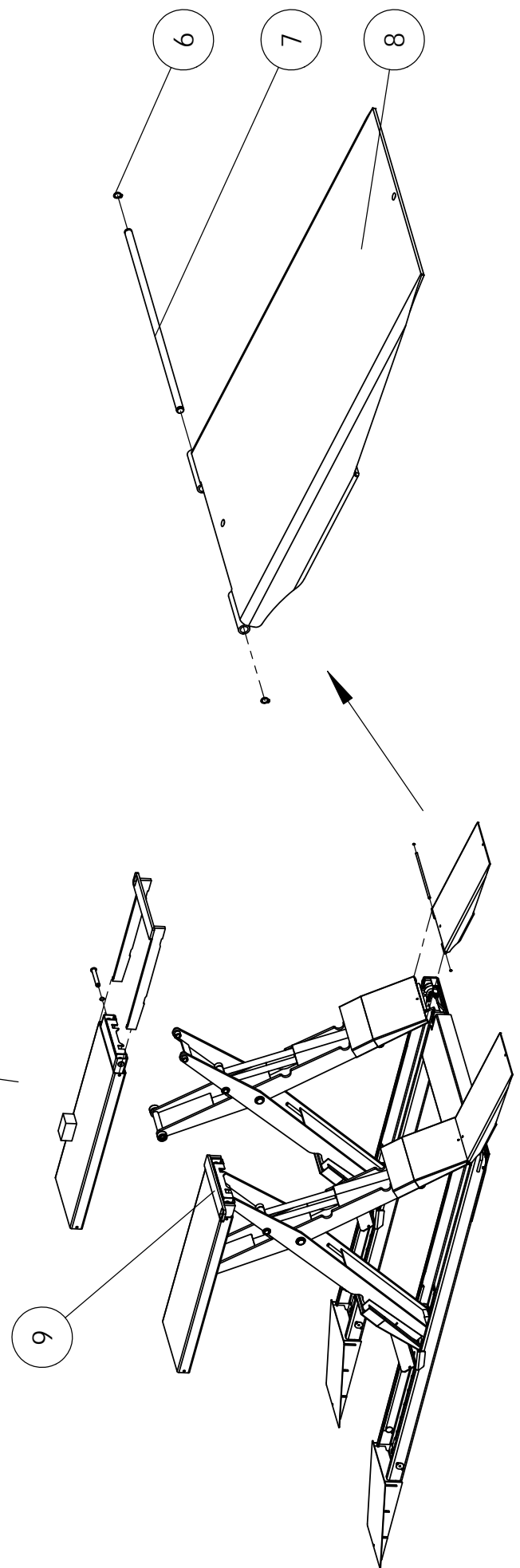
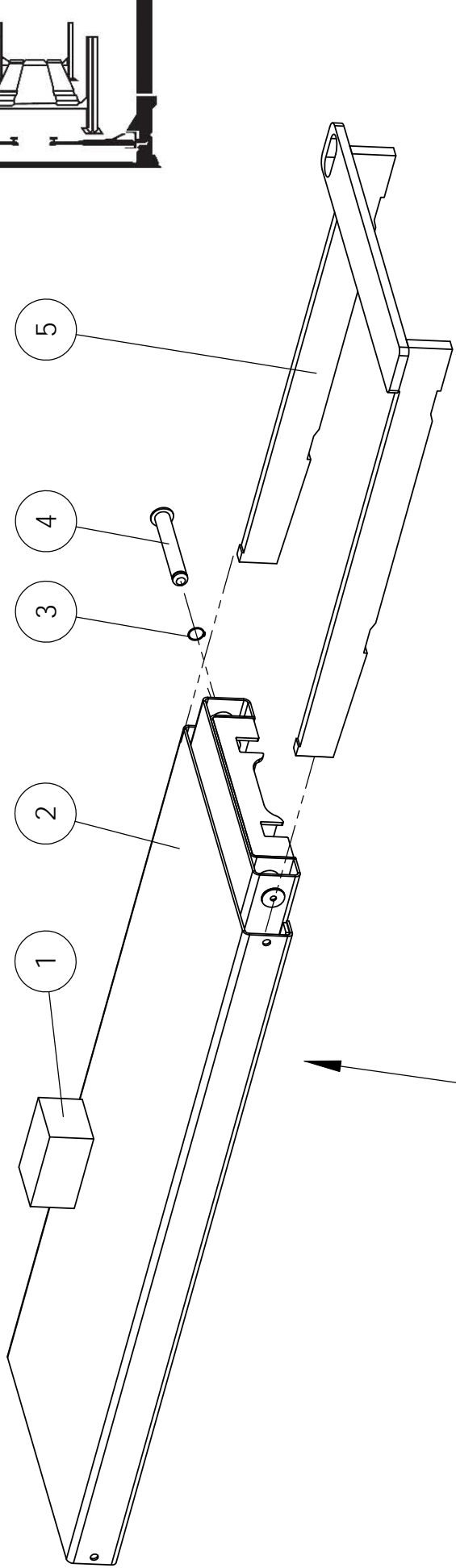
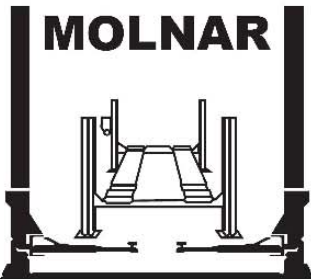
MOTOR AND TANK ASSEMBLY

ITEM #	PART DESCRIPTION	SPARE PART #
1	MOTOR 415V 3 PHASE (INCLUDES COUPLING)	85A-F-101TP
	MOTOR 240V SINGLE PHASE (INCLUDES COUPLING)	85A-F-101SP
2	COUPLING MOTOR	85A-F-96
3	COUPLING RUBBER	85A-F-97
4	COUPLING PUMP	85A-F-100
5	BELL HOUSING	85A-F-168
6	BOLT M10x35mm	85A-F-169
7	SCREW TANK/LID 8Gx15mm	85A-F-161
8	SOLENOID COIL & VALVE ASSEMBLY	SLO2-161A
9	TANK LID	SLO2-F-162
10	ADAPTOR PUMP/VALVE	85A-F-171
11	O RING 12mm	85A-F-170
12	VALVE ASSEMBLY	SLO2-90A
13	WASHER SPRING 1/4"x1/16"x1/16"	4488-PP-146
14	BOLT M6x55mm	85A-F-174
15	TUBE OIL RETURN	SLO2-172
16	FILTER	85A-F-266
17	TANK (EMPTY NO OIL)	2P4T-F-163
	TANK HYDRAULIC ASSEMBLY	SLO2-F-163A
	OIL CASTROL AWH 46 (8 LITRES)	OIL/H-8L
18	SPEED NUT	4488-PP-305
19	BOLT 1/4"x1" (ZINC)	85A-F-273
20	HYDRAULIC PUMP	85A-F-271
21	TUBE PICK UP	2P4T-PP-151
22	ADAPTOR PUMP/PICK UP	85A-F-165
23	BOLT M6x35mm	85A-F-164
24	BREATHER	85A-F-158
25	ADAPTOR HYDRAULIC STRAIGHT MC6-6T	85A-F-220
26	OLIVE 3/8"	85A-F-227
27	NUT ADAPTOR HYDRAULIC MC6	85A-F-226
28	HYDRAULIC PIPE	SLO2-173
29	NUT 1/4" ZINC	85A-F-274
30	NUT M10	85A-F-396
	POWER PACK ASSEMBLY 415VOLT	SLO2-FF-415
	POWER PACK ASSEMBLY 240VOLT	SLO2-FF-240



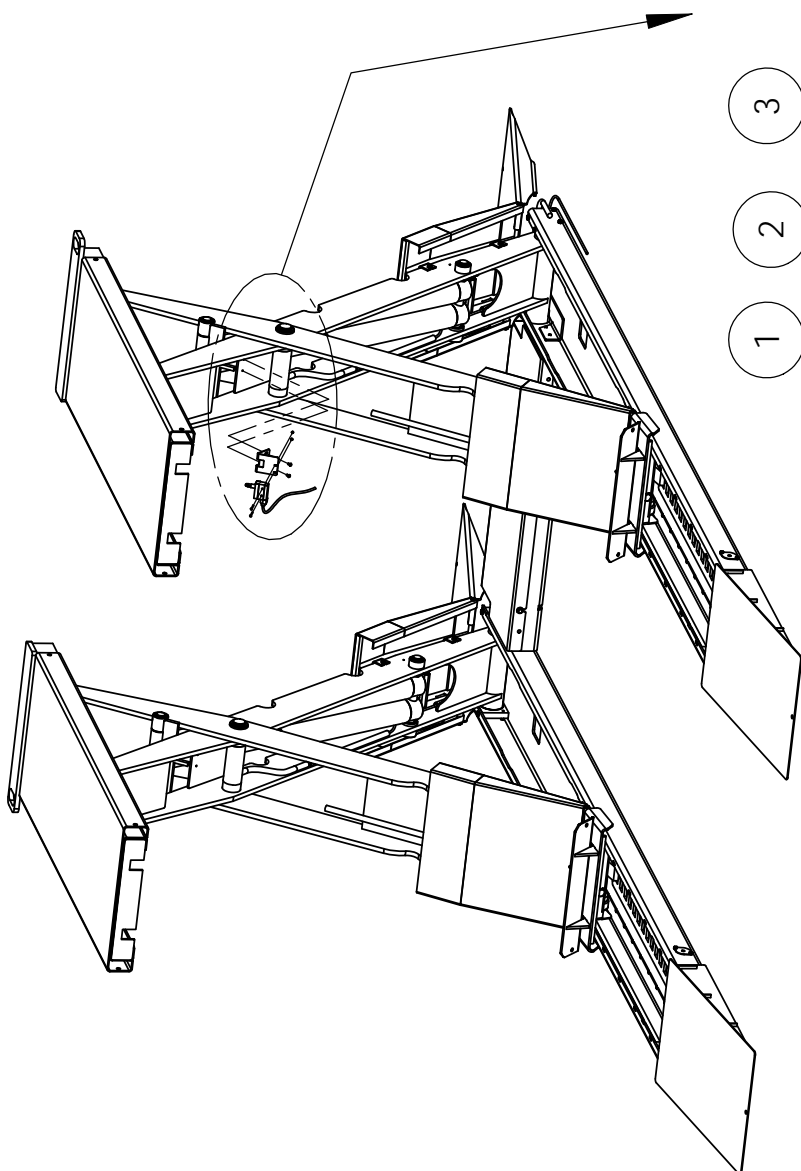
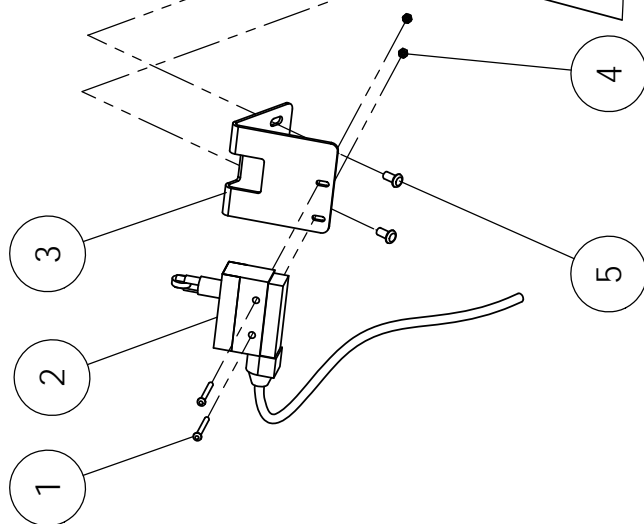
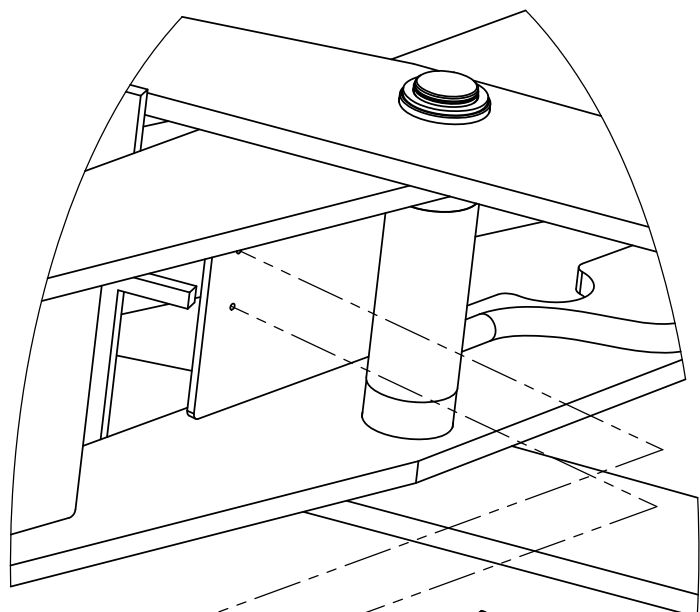
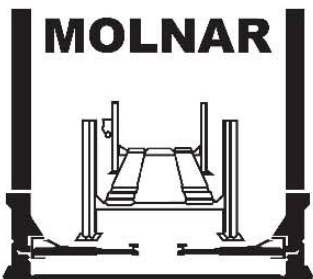
HYDRAULIC CYLINDER ASSEMBLY

ITEM #	PART DESCRIPTION	SPARE PART #
1	CYLINDER BARREL	SLO2-35
	HYDRAULIC CYLINDER ASSEMBLY (INCL. ITEMS # 1 BARREL (x1), # 11 RETAINER (x1), # 12 SEAL (x1), # 13 WEAR RING (x1), # 14 PISTON END (x1), # 15 GLAND (x1), # 16 BREATHER (x1), # 17 WIPER SEAL (x1), # 18 ROD (x1), # 19 BUSH (x1))	SLO2-35A
2	HYDRAULIC HOSE (SHORT)	PL92-116
3	ADAPTOR ELBOW HYDRAULIC	SLO2-166
4	CYLINDER MANIFOLD	SLO2-96
5	NUT ADAPTOR HYDRAULIC MC6	85A-F-226
6	OLIVE 3/8"	85A-F-227
7	ADAPTOR HYDRAULIC STRAIGHT MC6-6T	85A-F-220
8	THROTTLE VALVE	4488-C-112
9	SPRING THROTTLE VALVE	4488-C-113
10	SPRING RETAINER	SLO2-33
11	RETAINER	85A-E-112
12	SEAL	85A-E-111
13	WEAR RING	85A-E-110
14	PISTON END	SLO2-39
15	GLAND GUIDE NUT	SLO2-97
16	CYLINDER BREATHER (BRASS)	SLO2-170
17	WIPER SEAL	SLO2-167
18	PISTON ROD	SLO2-43
19	BUSH PISTON ROD	SLO2-44
20	CIRCLIP 52mm (DIN 472-52) (SUPERSEDED)	PL92-276
21	GLAND GUIDE BUSH (SUPERSEDED)	PL92-45
22	CYLINDER END PLUG (SUPERSEDED)	PL92-46
	CYLINDER SEAL KIT (INCL. ITEMS # 11 RETAINER (x1), # 12 SEAL (x1), # 13 WEAR RING (x1), # 17 WIPER SEAL (x1))	SLO2-37A



TOP PLATE & RUN-UP



ITEM #	PART DESCRIPTION	SPARE PART #
1	RUBBER BLOCK	SLO2-RB
2	PLATFORM	SLO2-48
3	CIRCLIP 25mm (DIN 471-25)	4488-TB-31
4	SHAFT TOP PIVOT	SLO2-46
5	EXTENSION R/H	SLO2-34
6	CIRCLIP 12mm (DIN 471-12)	85A-J-56
7	SHAFT RAMP PIVOT	SLO2-28
8	RUN UP RAMP	SLO2-30
9	EXTENSION L/H	SLO2-45

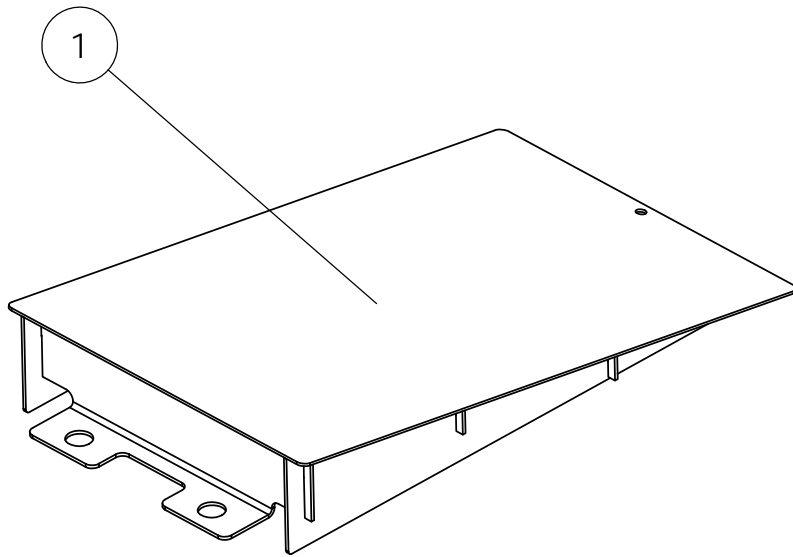
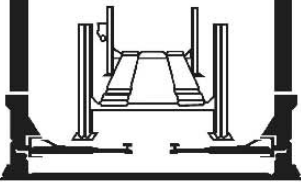


LIMIT SWITCH ASSEMBLY

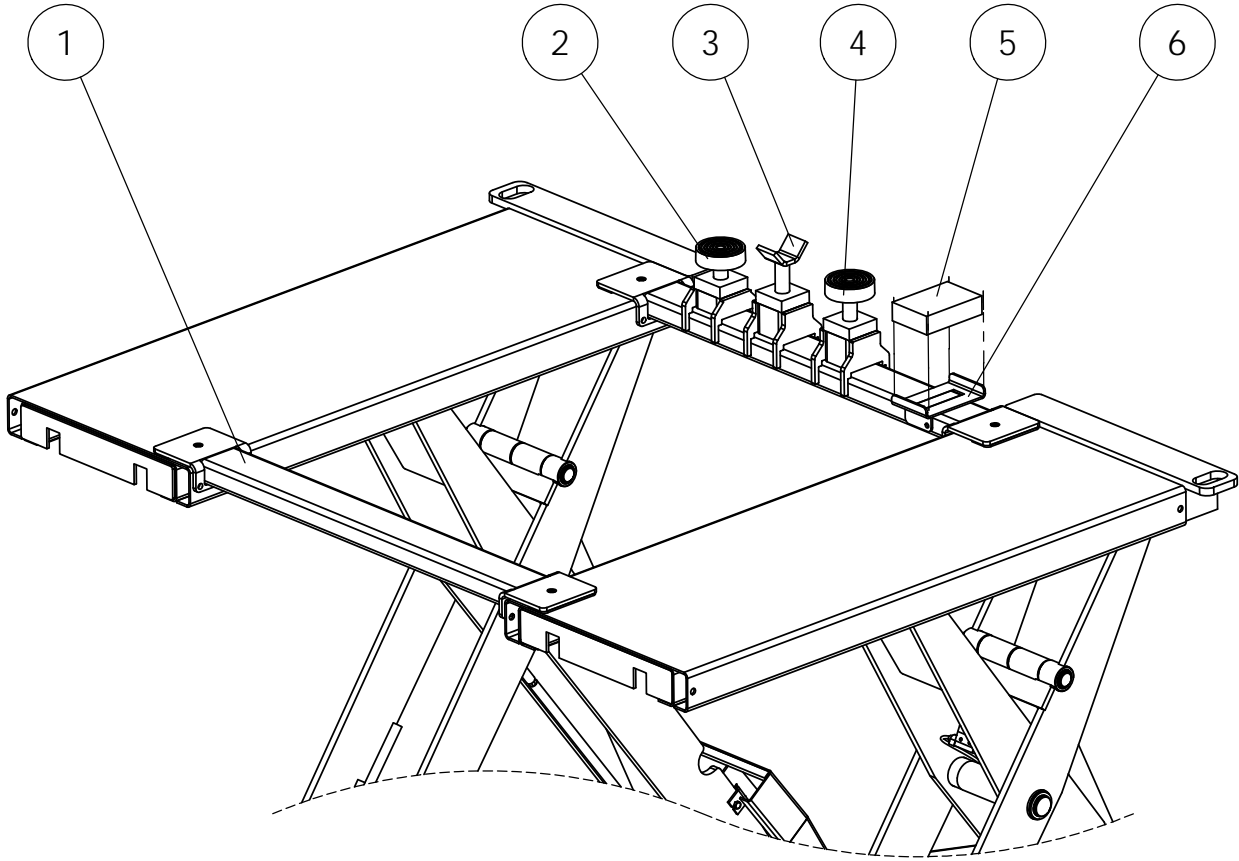
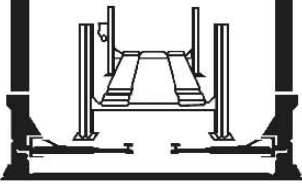
ITEM #	PART DESCRIPTION	SPARE PART #
1	SCREW M3x30mm	SLO2-134
2	LIMIT SWITCH	SLO2-135
3	BRACKET LIMIT SWITCH	SLO2-73
4	NUT M3	SLO2-114
5	BOLT M5x10mm	85A-H-95

STICKERS

ITEM #	DESCRIPTION	SPARE PART #
1		SL02STICKER
2		SL02DECAL
3		SL02CONTROL
4		SL02MANUAL
5	 <p data-bbox="499 1361 975 1391">SCISSOR LIFT REQUIRES 8 LITRES OF OIL</p>	OIL/H-8L



ITEM #	PART DESCRIPTION	SPARE PART #
1	RUN-OFF	SLO2-70



ITEM #	PART DESCRIPTION	SPARE PART #
1	SPREADER BEAM	90A-10-001A
2	EXTENSION PAD LOW	EXT PAD-LOW
3	AXLE PICK UP	AXLE-PU
4	EXTENSION PAD	EXT-PAD
5	RUBBER BLOCK 40mm	PL92-RB-40
6	CRADLE RUBBER BLOCK	90B-10-001A

415 VAC 3 PHASE to 240 VAC SINGLE PHASE CONVERSION

MOTOR 240V SINGLE PHASE (INCLUDES COUPLING). PART NO. 85A-F-101SP

USE EXISTING MOTOR MOUNT BOLTS

MOLNAR ENGINEERING STRONGLY ADVISES CONSULTING A QUALIFIED ELECTRICIAN BEFORE COMMENCING CONVERSION

ELECTRICIAN

- HOIST MUST BE WIRED BY A QUALIFIED ELECTRICIAN ACCORDING TO AS3000 OR SUPPLY AUTHORITY REGULATIONS
- MINIMUM SUPPLY CIRCUIT RATING REQUIRED 20 AMP
- REALIGN 6 PIN BRIDGE PLUG ON CONTROL BOARD TO ENSURE ALL PINS ARE CONNECTED. (NORMAL 3 PHASE CONFIGURATION HAS ONE PIN EXPOSED)

FIGURE 1. 415 VAC 3 PHASE

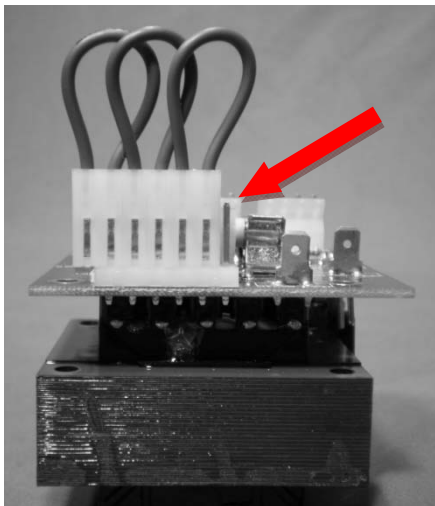
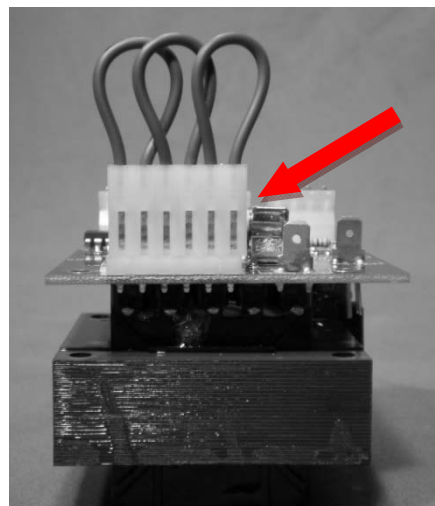
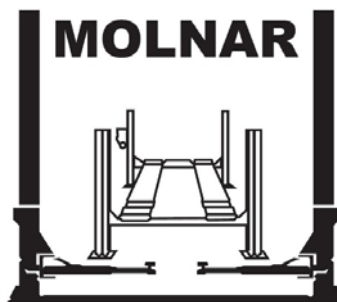


FIGURE 2. 240 VAC SINGLE PHASE





MANUFACTURED BY:

MOLNAR ENGINEERING PTY. LTD.

A.B.N. 54 007 740 794

16-20 Coglin Street, Brompton, S.A. 5007 AUSTRALIA
Telephone: (08) 8346 6893, (08) 8346 6894, (08) 8346 8006
Fax: (08) 8346 0097, Web: www.molnarhoists.com.au
Email: spareparts@molnarhoists.com.au