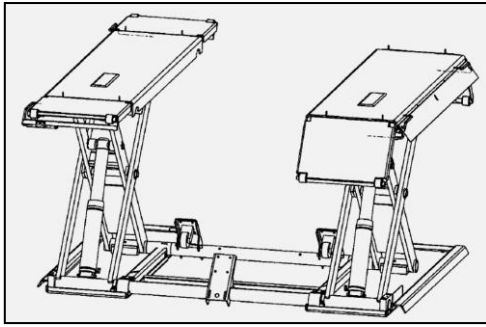


⚡ Electrician Wiring Guide ⚡

Nussbaum Sprinter Mobil 3000



Supplied Control Power Type	<input type="checkbox"/> 3 PHASE	<input type="checkbox"/> SINGLE PHASE
Supplied Control Unit Lead Wiring Specifications	<ul style="list-style-type: none"> • 4 Core & Earth (Requires Neutral) • Marked to European Coding Rules; NEUTRAL Line is BLUE 	<ul style="list-style-type: none"> • Active, Neutral & Earth • Marked to European Coding Rules; ACTIVE marked 1 NEUTRAL marked 2 EARTH Line is GREEN
Circuit Breaker Type & Rating	<ul style="list-style-type: none"> • Circuit Breaker Type: Motor Start (D Curve) • Circuit Breaker Rating: 16 Amp 	<ul style="list-style-type: none"> • Circuit Breaker Type: Motor Start (D Curve) • Circuit Breaker Rating: 20 Amp
<p><i>Control Unit can be permanently wired (hardwired) or left mobile instead by wiring a plug & socket connection; plug & socket specifications are shown below.</i></p>		
Plug & Socket Type & Rating	5 Pin 20 Amp	3 Pin 20 Amp
<u>NOTE:</u>	After wiring, check operation of 3 phase units to confirm <u>Phase Rotation</u>	To prevent overheating of single phase units, allow a minimum of <u>10 minutes</u> between complete run cycles when hoist is loaded

⚡ Wiring should only be performed by a qualified electrician in accordance with local regulations.

For more information contact Molnar Hoists – Australian Agents for Nussbaum Automotive Workshop Equipment

Call 1300 MOLNAR (665 627) or visit www.molnarhoists.com.au