

Lifting Britain since 1896

H2401B 4.0 Tonne Two Post Lift

Product Description

This Bradbury H2401B two post lifts are electro hydraulically operated and are suitable for lifting most cars and small vans. With a low pad height of just 95mm and screw adjustable lifting pads, this lift is very versatile.

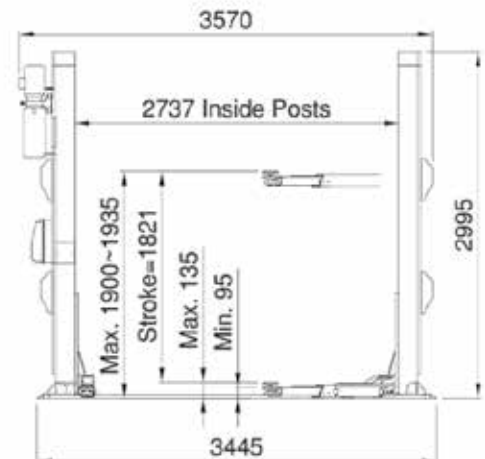
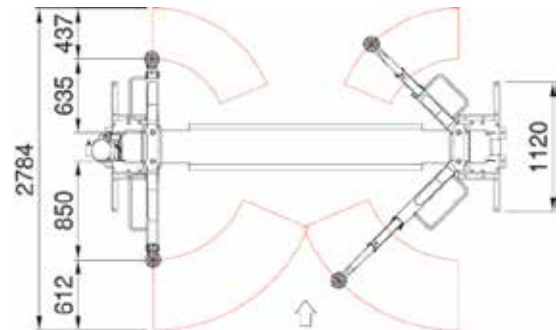
This lift is available in single phase only.

Key Features

- 4.0 tonne
- Hydraulic lifting application
- Full base frame for support
- Single phase
- Symmetrical multi-purpose lift
- 1 Year Warranty

Technical Specifications

Lifting capacity	4000 kg
Lifting & lowering time	50 seconds
Minimum height	95mm – 135mm
Maximum height	1900mm – 1935mm
Front minimum arm length	635mm
Front maximum arm length	1,072mm
Rear minimum arm length	850mm
Rear maximum arm length	1,462mm
Motor size	1 Phase 1.8kw
Power Requirements	1 – 16a Isolator Required
Operation	Electro-hydraulic



Specifications/Images subject to change without prior notice. E&OE Images are for illustration purposes only. To validate warranty, proof of a valid maintenance contract will be required.