



Lifts for passenger cars & transporters

SMART LIFT

SPINDLE 2-POST LIFTS

SMART LIFT – THE PROVED TECHNOLOGY

The robust construction of SMART LIFT as well as its fully developed technique are the results of more than 10.000 units produced per year and more than 30 years experience in the manufacturing of lifts.



Nylatron-nut: 5 years warranty

LONG LIFE-CYCLE

- low wear Nylatron-nut guarantees a quiet operation
- 5 years warranty on spindle and spindle-nut
- two motors integrated into columns
- resistant Poly-V belt – a guarantee for almost wearfree
- complete quality control at all stages

LIFTS FOR PASSENGER CARS AND TRANSPORTERS – FOR ALL TYPES OF WORKS AROUND THE CAR



Resistant Poly-V belt

SMART LIFT 2.30 SL – lifting capacity of 3.000kg, available in versions: DT and MM

SMART LIFT 2.35 SL – lifting capacity of 3.500kg, available in versions: DT, MM and SC

SMART LIFT 2.40 SL – with reinforced steel and extended lifting arms for lifting vehicles up to Mercedes Sprinter with center wheelbase at the alternative pick-up points. With a lifting capacity of 4.000kg and **UNIVERSAL** carrying arms.



OPTION: ENERGY SET

- electricity and compressed air at the working place
- 230V plug and air connection are integrated in the column



SMART LIFT – THE RIGHT SOLUTION FOR ANY WORKSHOP



SMART LIFT 2.30 SL – lift for vehicles up to VW T5 with short wheelbase



MINI MAX lifting arms easy and convenient to lift off-road vehicles and for cars with pressed side skirts



Vehicles's door can be opened completely (2.30 SL DT)



Telescopic lifting arms and very low lifting point

3.000kg | 3.500kg | 4.000kg



FLEXIBLE SET UP HEIGHT AND WIDTH

no ground connection between columns

Flexible top connection – adjustable height of top connection without static function

ASYMMETRIC LIFTING ARMS AND CARRIAGE FOR OPTIMAL DOOR CLEARANCE

- lifting wide range of vehicles
- automatic arm adjustment
- lowest pick-up point from 75mm
- short lifting arms with swivelling 180°
- maximum door clearance thanks to the corner position of the carriage

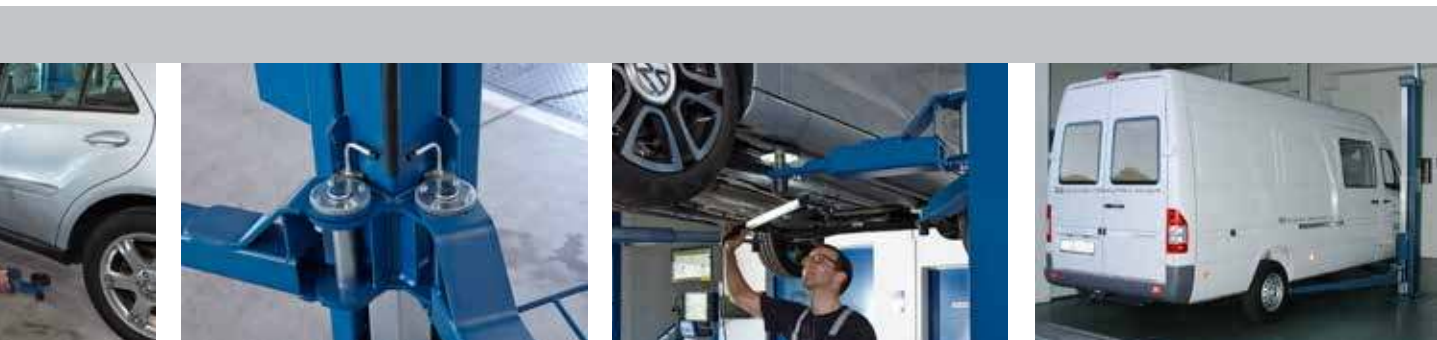
DOUBLE TELESCOPIC LIFTING ARM (DT)

The short lifting arm is 2-times telescopic, providing a large adjustable range and therefore enabling to lift short and wide vehicles.

Extremely low construction of the carrying arms make this lift ideal for sports cars with very low clearance.

MINI-MAX LIFTING ARM (MM)

Adapter for low clearance vehicles as well as for deep-drawn side skirt and off-road vehicles. Adjustable with an enormous range of 75–185mm. Quick vertical multilevel adjustment with the foot.



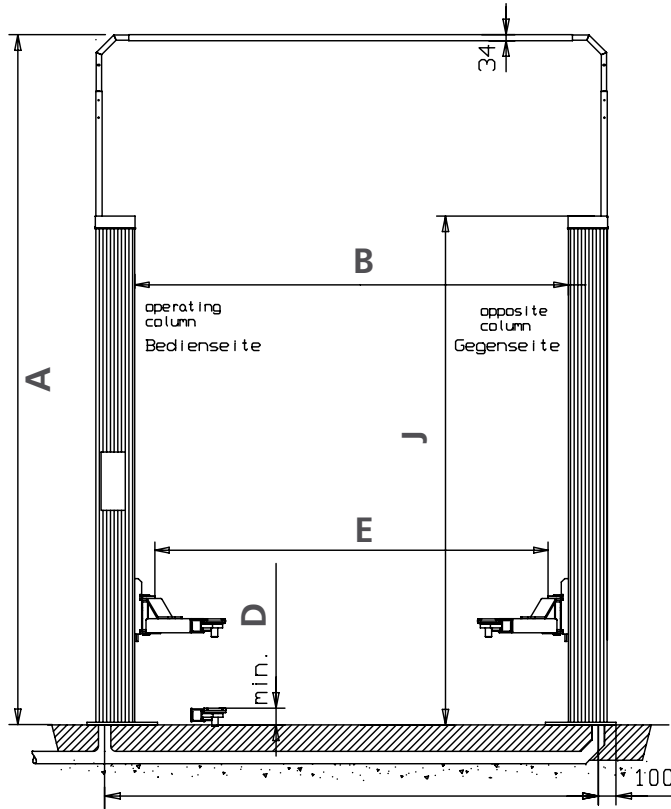
Automatic locking of the arms

SMART LIFT 2.30 SL DT – short lifting arm with 2-times telescopic provides more adjustable range and simplifies lifting of shorter and wider vehicles

SMART LIFT 2.40 SL – lift for passenger cars and transporters, for universal application

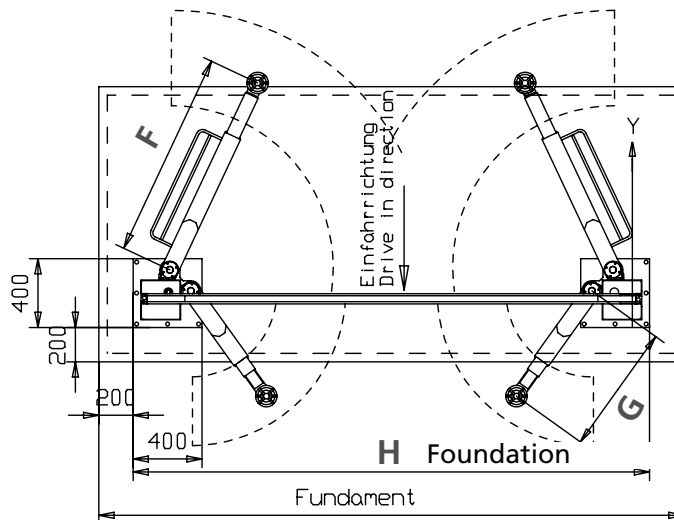


Technical drawings for SMART LIFT



Foundation

HYMAX S 3000 - 4000



Technical data

SMART LIFT		2.30 SL	2.35 SL	2.40 SL
Lifting capacity (kg)		3000	3500	4000
Lifting/ lowering time approx. (sec)		40 / 40	46 / 40	46 / 40
Lifting height (mm)		1983	2010	2060
Lowest pick-up point (mm)	D	95–140	95–140	115–190
Version: SC		–	82–122	–
Version: MINI-MAX		75–185	75–185	75–185
Total height column (mm)	J	2887	2890	2890
Top connection (mm)	A	3716–4167	3715–4115	3685–4170
Total width (mm)	H	3100	3230	3350
Version: MINI-MAX		3300	3350	3350
Drive-through width (mm)	E	2350	2400	2514
Version: MINI-MAX		2504	2400	2514
Distance between columns (mm)	B	2460	2770	2770
Version: MINI-MAX		2560	2650	2770
Arm extraction long (mm)	F	940–1495	940–1495	1130–1840
Version: SC		–	840–1380	–
Version: MINI-MAX		1000–1480	1000–1480	1130–1840
Arm extraction short (mm)	G	480–870	570–1160	570–1160
Version: SC		–	590–865	–
Version: MINI-MAX		600–980	600–1000	635–1065
Motor (kW)		2 x 1,5	2 x 1,5	2 x 1,5
Power supply (V/Hz)		400 / 50	400 / 50	400 / 50

SMART LIFT	2.30 SL	2.35 SL / 2.40 SL
TO BE PREPARED BY CUSTOMER		
Foundation min. (mm)	200	200
Concrete quality min. (normal reinforcement)	C20/25	C20/25
Bolts (pcs)	12	16
Type of bolt (depends on foundation, see manual)	Hilti-V-5.8, M12	Hilti-V-5.8, M12
Power supply (V / Hz / Amp.)	400 / 50 / 16	400 / 50 / 16
Time-lag fuse (mm ²)	5 x 2,5	5 x 2,5
Air supply for energy set	optional	optional
Unloading (fork lift)	required	required