



LASER-2.2 CP

Stand alone or shared column car stacker – 3 tonne capacity



MOLNAR LASER-2.2 CP is a hydraulic 2-post premium car stacker which can work stand alone or multiple units with shared column.

MOLNAR Parking system will create twice as much parking space.

The parking system serves as dependent parking. Space below has to be free to park on the platform above.

Ideal locations

- › Car repair workshops
- › Car dealerships
- › Private car parking
- › Car rental area
- › Valet parking

Features

- › 100% more parking space
- › 3000 kg lifting capacity
- › Maximising the number of available car spots
- › Easy to install for private or commercial
- › Low requirements on the installation area
- › Above-ground without pit
- › Safe, low maintenance
- › Operation via key-switch
- › Small footprint allows multiple installs in limited space

Optional Extras

- › Single phase
- › Custom colors

Service and Support

- › 3 year Molnar warranty
- › National service network

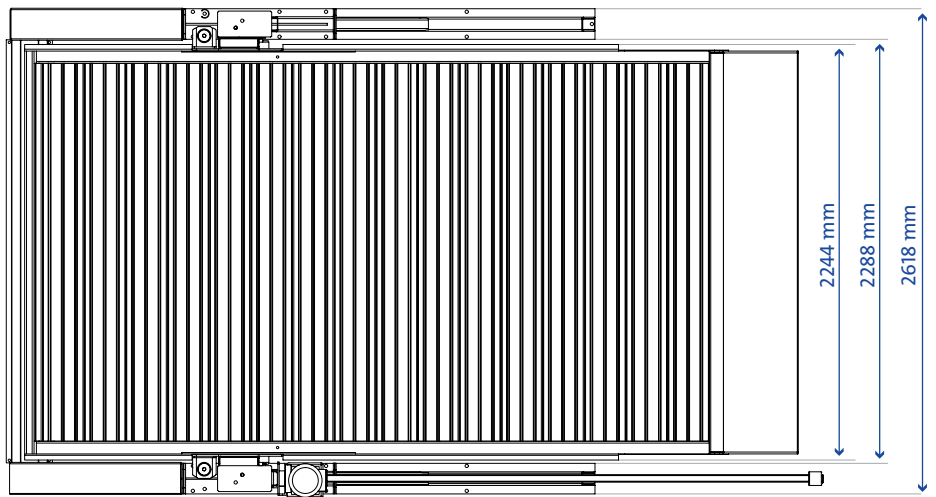
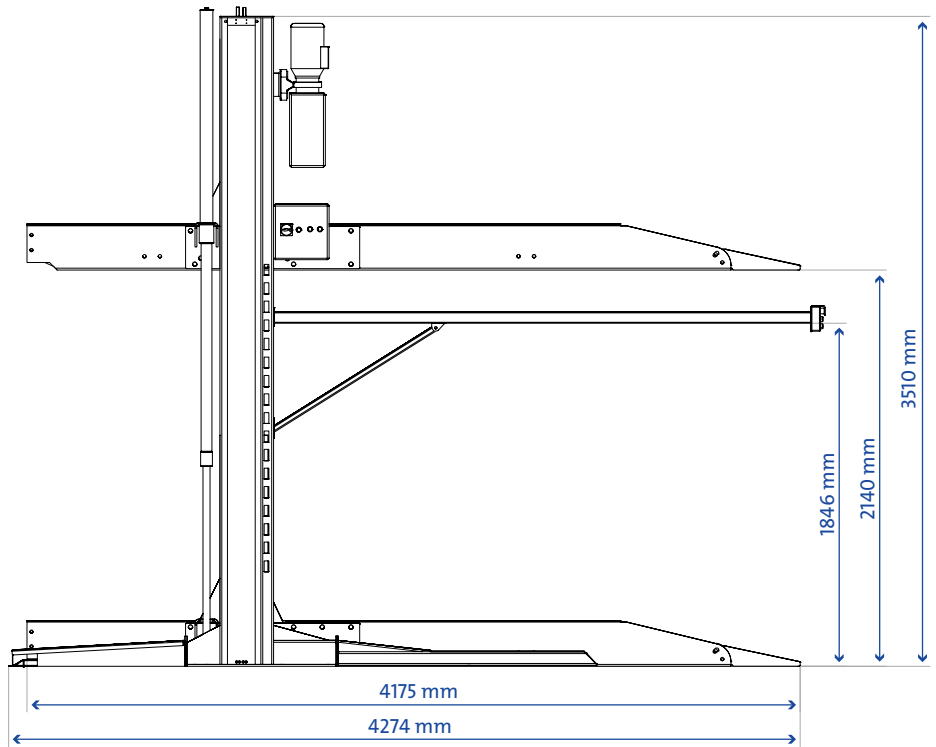


Application



Space saving

Specifications	Lifting capacity	3,000 kg
	Clearance below	2,140 mm
	Overall width	2,618 mm for stand alone 2,453 mm if sharing column
	Overall length	4,274 mm
	Overall height	3,510 mm
	Platform width	2,244 mm
	Clearance between columns	2,288 mm
	Platform length	4,175 mm
	Lifting time	50 seconds
	Voltage	415V 3 Phase + Earth (Neutral NOT required) 50Hz / 10A



Specifications/Images subject to change without prior notice. To validate warranty, proof of a valid maintenance contract will be required. Images and Illustrations are indicative and may be modified without notice

**Lifting
the Level**

For more information, please
contact MOLNAR or your
local MOLNAR Representative

☎ 1300 MOLNAR (1300 665 627)
☎ 08 8234 3611 📠 08 8234 4322
✉ sales@molnarhoists.com.au

www.molnarhoists.com.au

🌐 📘 MolnarAustralia