

*Lifting Britain since 1896*

## SB40 4.0 Tonne Two Post Hoist

### Product Description

The Bradbury SB40 two post hoists are electric hydraulic operated and are suitable for lifting most cars and small vans. With a low pad height of just 95mm and screw adjustable lifting pads, this hoist is very versatile.

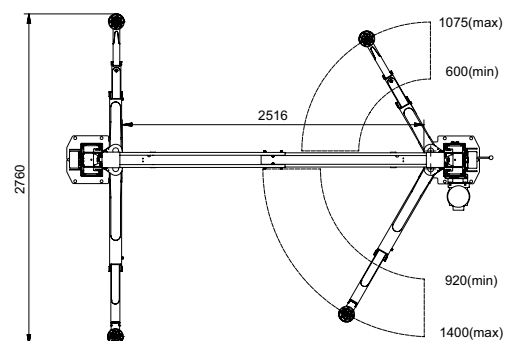
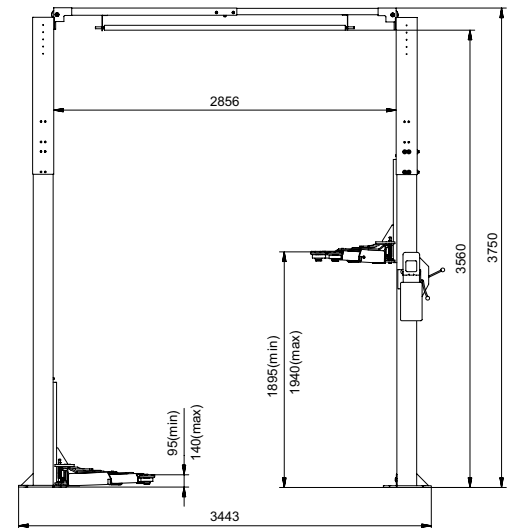
This hoist is available in single or three phase.

### Key Features

- 4,000 kg lifting capacity
- 100 mm pad extensions included
- Hydraulic lifting application
- Clear floor frame design
- Symmetrical multi-purpose lift
- Two hand operation with manual release lock lever
- Three phase (optional Single phase)
- 1 Year Warranty (25 year structural design life)

### Technical Specifications

Lifting Capacity	4,000 kg
Lifting Time	50 seconds <i>approximately</i>
Lowering Time	40 seconds <i>approximately</i>
Minimum Height	95 mm – 140 mm
Maximum Height	1,895 mm – 1,940 mm
Front Minimum Arm Length	600 mm
Front Maximum Arm Length	1,075 mm
Rear Minimum Arm Length	920 mm
Rear Maximum Arm Length	1,400 mm
Motor Size	2.2 kW/10A (single phase 20A)
Power Requirements	Single <i>or</i> Three Phase + Earth
Operation	Electro-Hydraulic
Floor requirements	125mm/25 MPA
Minimum Ceiling Height Required	3,800 mm



Specifications/Images subject to change without prior notice. E&OE Images are for illustration purposes only. To validate warranty, proof of a valid maintenance contract will be required.

**Lifting  
the Level**

For more information, please contact STENHOJ Australia or your local STENHOJ Representative

☎ 1300 665 627  
✉ sales@stenhøj.com.au

www.molnarhoists.com.au  
www.stenhøj.com.au