



SM460-A

Electro-Hydraulic Four Post Wheel Alignment Hoist – 6 Tonne Capacity



The MOLNAR SM460-A is a 6 tonne electro-hydraulic four post vehicle hoist, ideally suited to wheel alignment for industrial or commercial workshops. With integrated slip plates, long run up ramps and ample provision for the addition of turntables, this product is ideally suited passenger cars to light commercial vehicles.

The product has been designed to optimise operator access and workshop space, making it one of the most versatile four post hoist on the market.

Features

POSTS

- › Integrated eccentric brake system
- › Large diameter pulleys
- › Motor and control unit located on rear right post
- › Push button control unit
- › Emergency stop and lowering valve
- › Hydraulic cylinder under right platform

PLATFORMS / RAMPS

- › Platforms suited to Micro 3000 – MOLNAR Jacking Beam
- › Long run up ramps for easy vehicle approach
- › Double slip plates included
- › Large provision for turntables
- › 600mm wide platforms
- › Platform length of 5445 mm

Options

- › Single Phase Motor
- › Custom colours

Accessories

- › Installation kit – oil and bolts
- › Micro 3000 – 3 Tonne air-hydraulic Jacking Beam

Service & Support

- › 3 year warranty
- › Available spare parts; shipped within 24 working hours



Application



Check-in



Repair and maintenance



Testing



Wheel alignment



Technical Data

| | |
|---------------------------------------|--|
| Lifting capacity | 6000 kg |
| Max lock height | 1750mm |
| Lifting / lowering time | 55seconds / 30 seconds |
| Pump unit | 3 kW Motor |
| Voltage | 3 Phase + Earth 415V 50Hz Optional single phase |
| Platforms | |
| Total length | 6854 mm |
| Platform length | 5445 mm |
| Wheel base | Variable |
| Platform width | 600 mm |
| Distance between platforms | 945 mm |
| Minimum height | 246 mm |
| Width between posts | 3010 mm |
| Total width (outer edges base plates) | 3412mm |

UNIQUE FEATURES



Long recess for customised positioning of Turntable



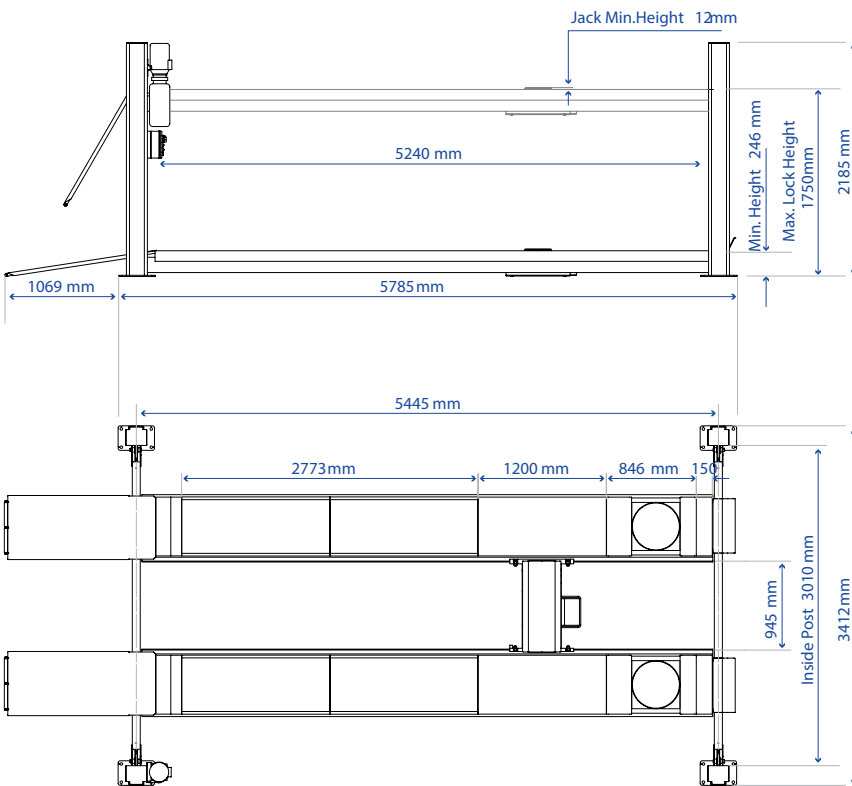
Control Unit / Pump



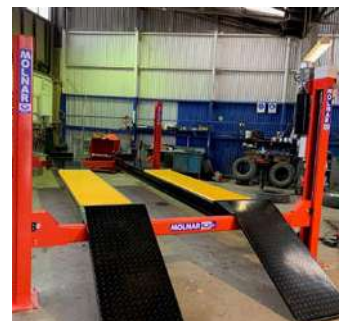
Micro 3000 Jacking Beam Optional



Caterpillar Hose Included with optional Micro 3000



Double Slip Plates



Long Run-up Ramps

Specifications/Images subject to change without prior notice. To validate warranty, proof of a valid maintenance contract will be required. Images and Illustrations are indicative and may be modified without notice