

# CM245-A

## TWO POST HOIST



**MOLNAR**  
By NEXION

|                |  |   |
|----------------|--|---|
| Technical Data | Lifting capacity                         | 4500 kg                                   |
|                | Lifting height                           | 1990 mm                                   |
|                | Working height                           | 90 - 1990 mm                              |
|                | Lifting / lowering time                  | approx. 30 seconds                        |
|                | Motor unit                               | 3.0 kW                                    |
|                | Voltage                                  | 400V 50Hz 16A<br>(single phase available) |
| Arm Structure  | Lifting pad                              | 90 – 113 mm adjustable                    |
|                | Minimum height                           | 90 mm                                     |
|                | Drive-through width                      | 2520 mm                                   |
|                | Total width - outer edges<br>base plates | 3500 mm                                   |
|                | Total height including post              | 4050 mm                                   |
|                | Arm length front,<br>minimum – maximum   | 600– 1250 mm                              |
|                | Arm length rear,<br>minimum – maximum    | 600 – 1250 mm                             |



### Posts:

- Symmetric post installation, vehicles can be positioned far to the rear, for better door-opening angle
- Very stable bent posts
- Without base frame, therefore free drive-in situation
- One power pack with low power consumption
- Carriage with optimized sliding block bearing for low friction
- Double door-stop mounted on carriage
- Electrically operated safety ratchet system, no expensive compressed air required
- Pushbutton control unit with parking button and alarm signal
- Mechanic synchronization via steel cables
- Single post construction for easy install

### Arms:

- Double telescopic front and rear arms as standard
- 105° arm swing; eases pad positioning
- Automatic arm locking system
- Very low minimum height
- Suitable for small to large passenger cars
- Pad Extensions included

### Standard Colours:

- Arms, posts and carriage: RAL 2002
- Custom colours available

### Extras & Accessories

- Range of lifting pads
- single phase

### Service & Support

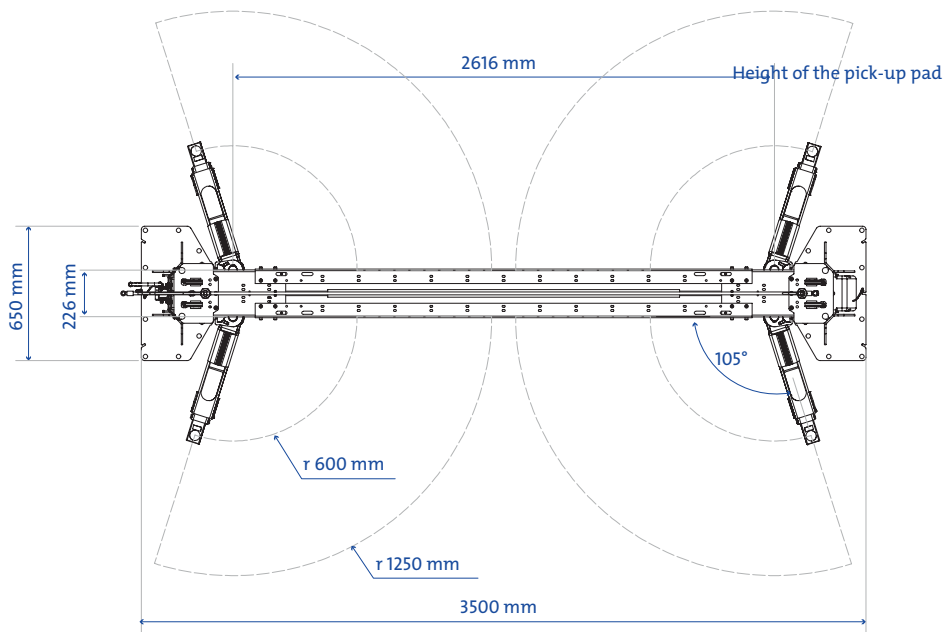
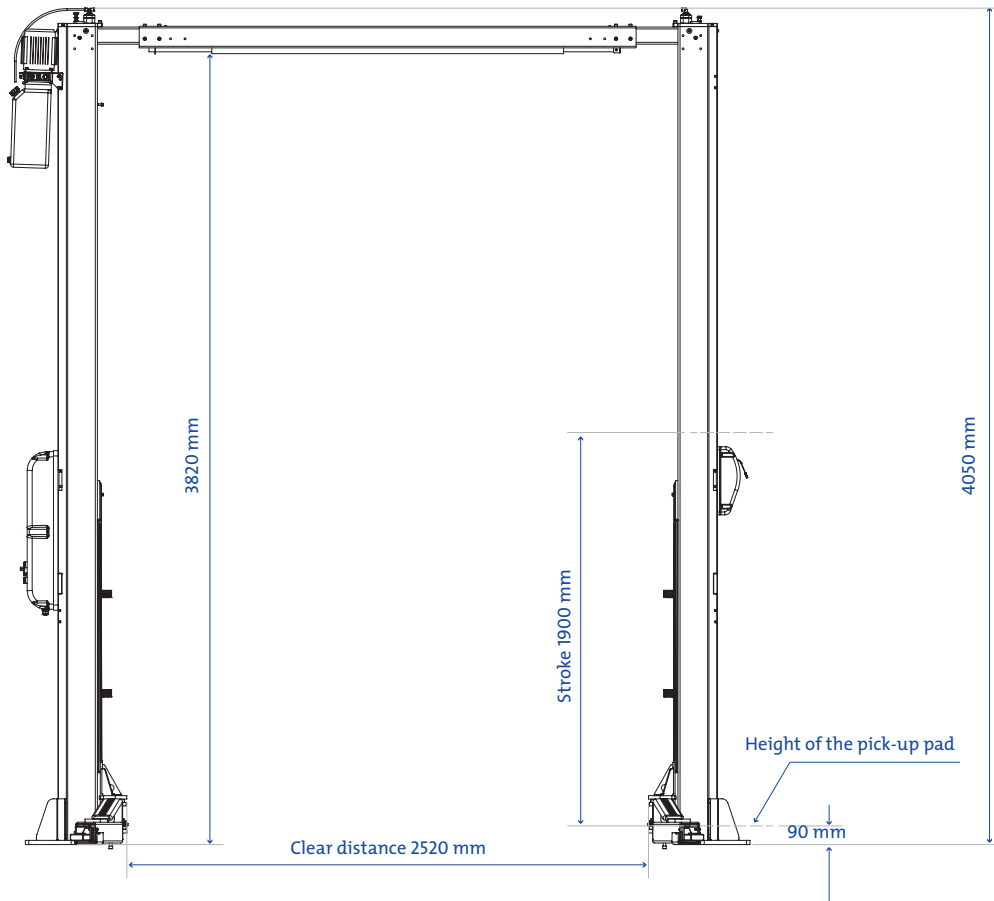
- 3 year warranty
- Spare parts stocked locally in Australia for 24 working hour dispatch

*Specifications/Images subject to change without prior notice. To validate warranty, proof of a valid maintenance contract will be required. Images and Illustrations are indicative and may be modified without notice*

# CM245-A

Universal Full Symmetric Electro-Hydraulic Two Post Vehicle Hoist - 4.5 Tonne Capacity





Specifications/Images subject to change without prior notice. To validate warranty, proof of a valid maintenance contract will be required. Images and Illustrations are indicative and may be modified without notice

**Lifting  
the Level**

For more information,  
please contact MOLNAR or your  
local MOLNAR representative

[www.molnarhoists.com.au](http://www.molnarhoists.com.au)

☎ 1300 MOLNAR (1300 665 627)  
☎ 08 8234 3611 📠 08 8234 4322  
✉ [sales@molnarhoists.com.au](mailto:sales@molnarhoists.com.au)

🌐 📘 MolnarAustralia