



# MICRO 225

The Micro 225 Air Jacking Beam for use with Molnar CM5500 Scissor hoists



The Micro 225 Air Jacking Beam is for use with Molnar CM5500 Scissor hoists. Using a pair of Jacking Beams in tandem provides total 'wheel free' servicing options.

Designed to address the operational constraints of the modern vehicle servicing workplace, the Air Jacking Beam utilises an air-over-hydraulic pump unit for quick, simple, strong and reliable lifting. The top beam includes sliding extension arms to suit a wide range of vehicles and pick-up points.

The unit is simple to operate and includes a range of features to maximise workshop safety and efficiency

## Description

- › Mechanical parking system
- › Arm extensions
- › Standard Colour RAL 2002
- › Custom colours available
- › Micro includes pads and extension

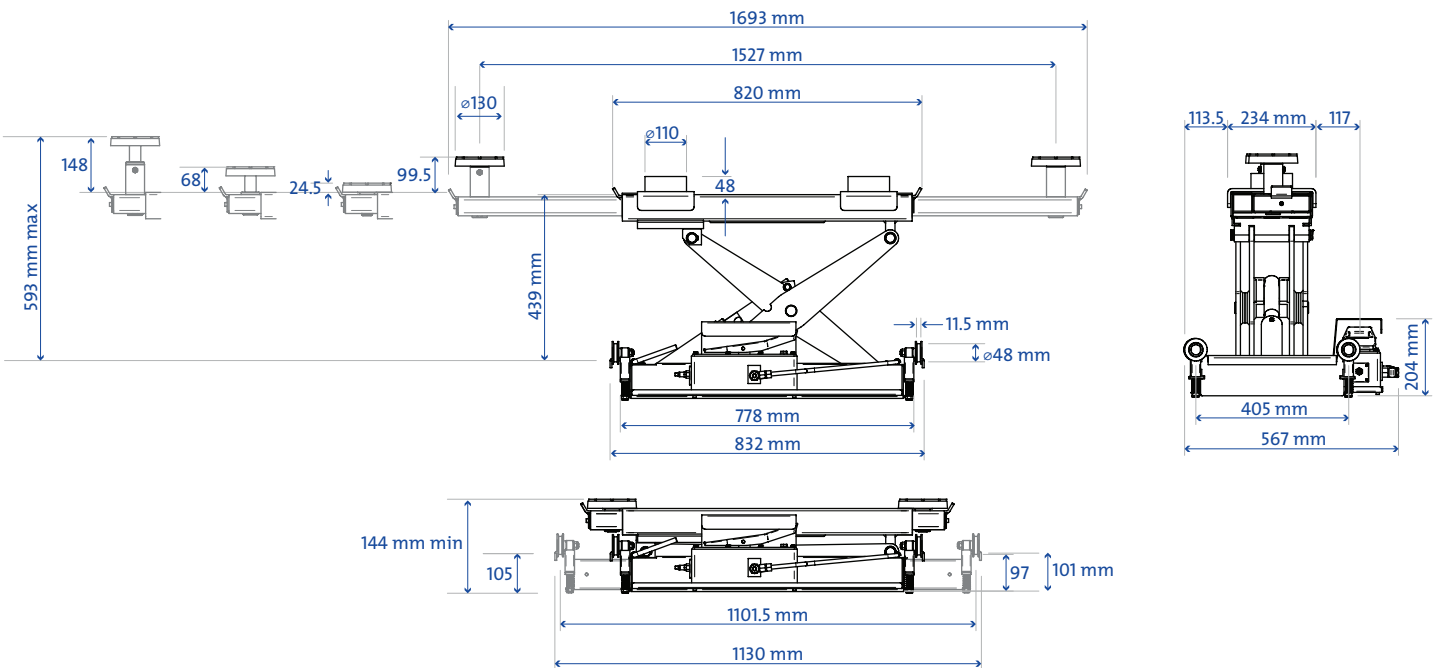
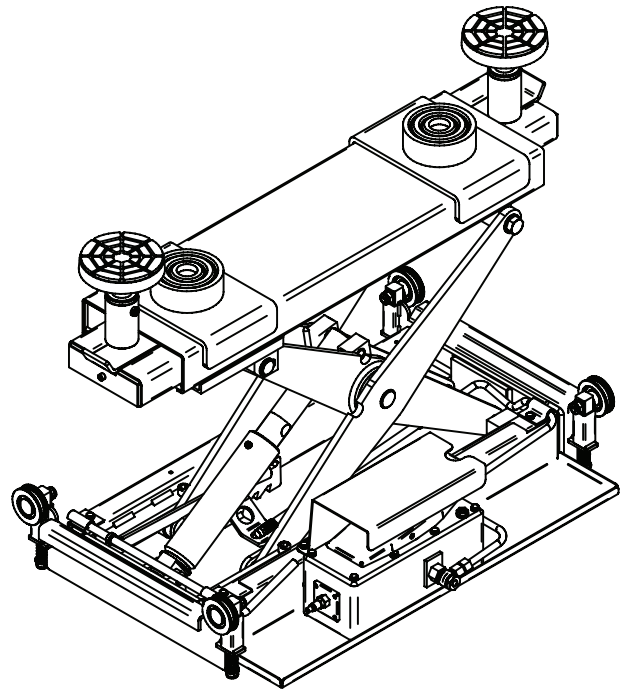
## Service & Support

- › 3 year warranty
- › Available spare parts; shipped within 24 working hours





Lifting capacity	2200 kg
Lifting height	593 mm
Minimum height	144 mm
Operation	Air-hydraulic
Extension	820-1693 mm



Specifications/Images subject to change without prior notice. To validate warranty, proof of a valid maintenance contract will be required. Images and illustrations are indicative and may be modified without notice

**Lifting  
the Level**

For more information,  
please contact MOLNAR or your  
local MOLNAR representative

[www.molnarhoists.com.au](http://www.molnarhoists.com.au)

☎ 1300 MOLNAR (1300 665 627)  
☎ 08 8234 3611 📠 08 8234 4322  
✉ [sales@molnarhoists.com.au](mailto:sales@molnarhoists.com.au)

🌐 [www.molnarhoists.com.au](https://www.molnarhoists.com.au) MolnarAustralia