

CM245-AS

TWO POST HOIST



MOLNAR
By NEXION

Technical Data	Lifting capacity	4500 kg
	Lifting height	1990 mm
	Working height	1900 mm – 2013 mm
	Lifting / lowering time	approx. 30 seconds
	Motor unit	3.0 kW
	Voltage	400V 50-60Hz 16A (single phase available)
Arm Structure	Lifting pad	90 – 113 mm adjustable
	Minimum height	90 mm
	Drive-through width	2160 mm (+250mm optional)
	Total width - outer edges base plates	3250 mm (+250mm optional)
	Total height including post	4220 mm or optional 3995 mm low setting
	Arm length front, minimum – maximum	600– 1250 mm
	Arm length rear, minimum – maximum	600 – 1250 mm



Posts:

- Asymmetric post installation, vehicles can be positioned far to the rear, for better door-opening angle
- Very stable bent posts
- Without base frame, therefore free drive-in situation
- One power pack with low power consumption
- Carriage with optimized sliding block bearing for low friction
- Double door-stop mounted on carriage
- Electrically operated safety ratchet system, no expensive compressed air required
- Pushbutton control unit with parking button and alarm signal
- Adjustable limit switch for top stop and CE-stop, as well as upper protection switch rail
- Mechanic synchronization via steel cables
- Post is height adjustable during installation
- Choice of install width during installation

Arms:

- Double telescopic front and rear arms as standard
- Ability to parallel park arms; eases pad positioning
- Automatic arm locking system
- Very low minimum height
- Suitable for small to large passenger cars
- 80mm and 180mm Pad Extensions included

Standard Colours:

- Arms, posts and carriage: RAL 2002
- Custom colours available

Extras & Accessories

- Range of lifting pads
- Single phase

Service & Support

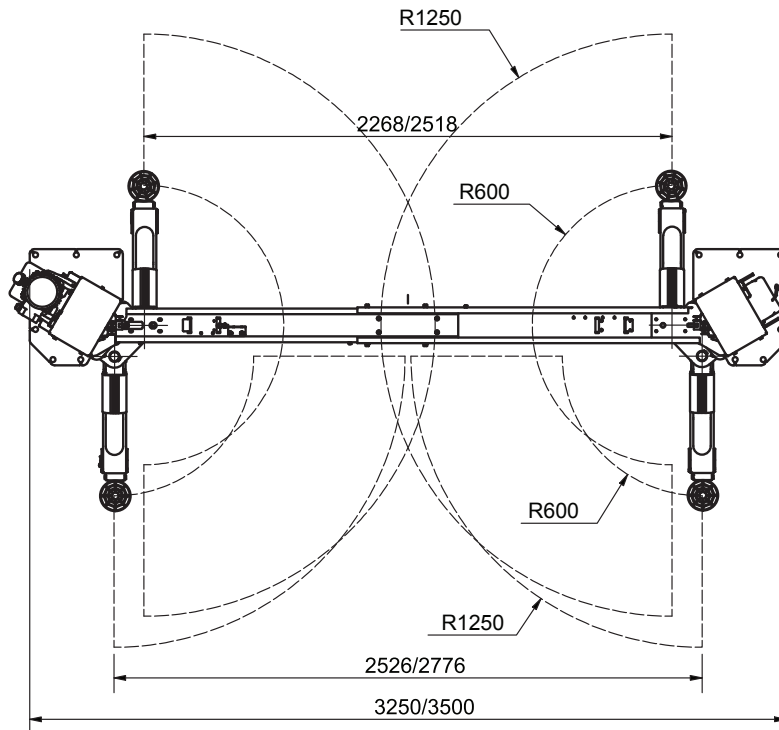
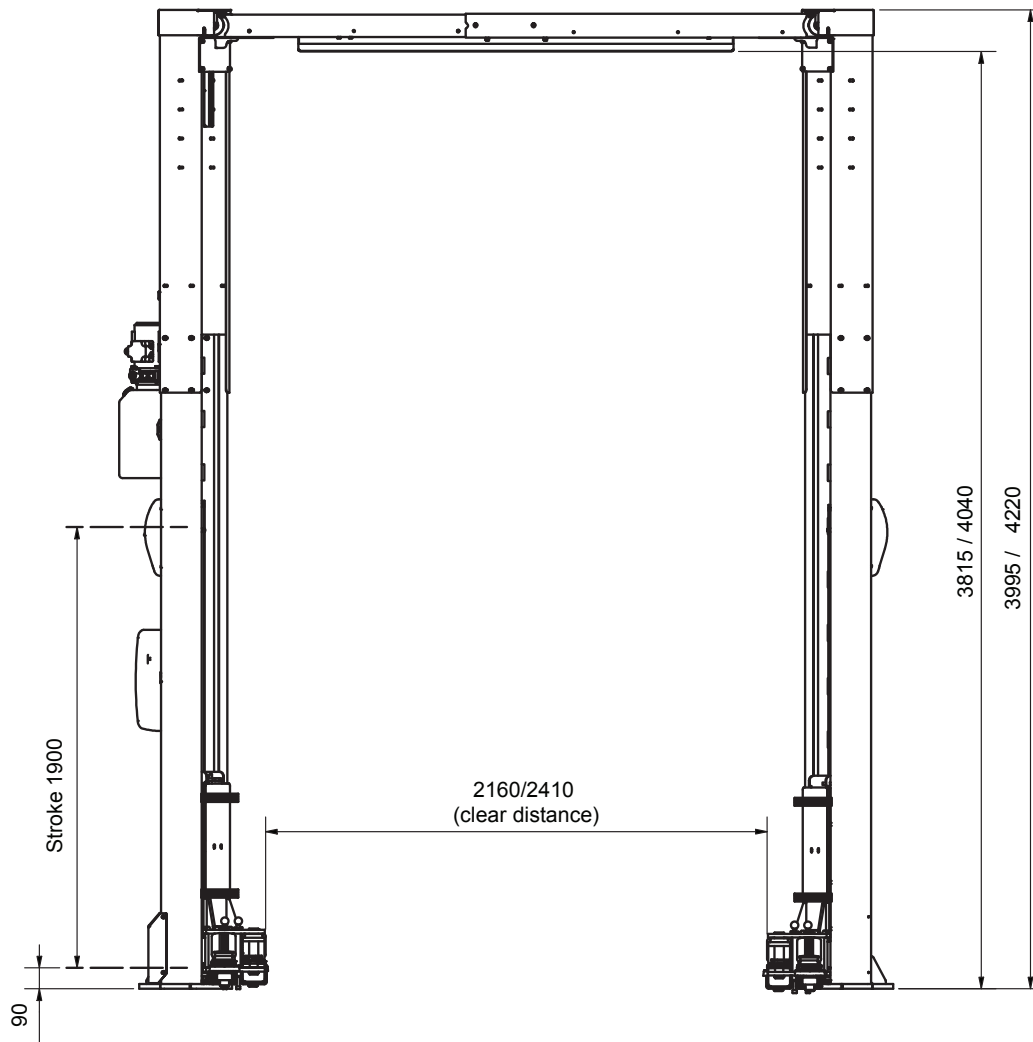
- 3 year warranty
- Spare parts stocked locally in Australia for 24 working hour dispatch

Specifications/Images subject to change without prior notice. To validate warranty, proof of a valid maintenance contract will be required. Images and Illustrations are indicative and may be modified without notice

CM245-AS

Universal Full Assymmetric Electro-Hydraulic Two Post Vehicle Hoist - 4.5 Tonne Capacity





Specifications/Images subject to change without prior notice. To validate warranty, proof of a valid maintenance contract will be required. Images and Illustrations are indicative and may be modified without notice

**Lifting
the Level**

For more information,
please contact MOLNAR or your
local MOLNAR representative

www.molnarhoists.com.au

☎ 1300 MOLNAR (1300 665 627)
☎ 08 8234 3611 📠 08 8234 4322
✉ sales@molnarhoists.com.au

🌐 www.molnarhoists.com.au MolnarAustralia