



**MOLNAR**  
BY NEXION

# SM440 **FOUR POST HOIST**

## 4 TONNE FOUR POST HOIST

### Spare Parts Manual



**Before  
taking into operation  
check system compo-  
nents, control, emer-  
gency stop and safety  
equipment for condi-  
tion, damage and  
correct function!**



# **MOLNAR**

By NEXION

3 Graham Street  
Export Park  
South Australia  
5950

Tel.: + 61 (0)8 8346 6893

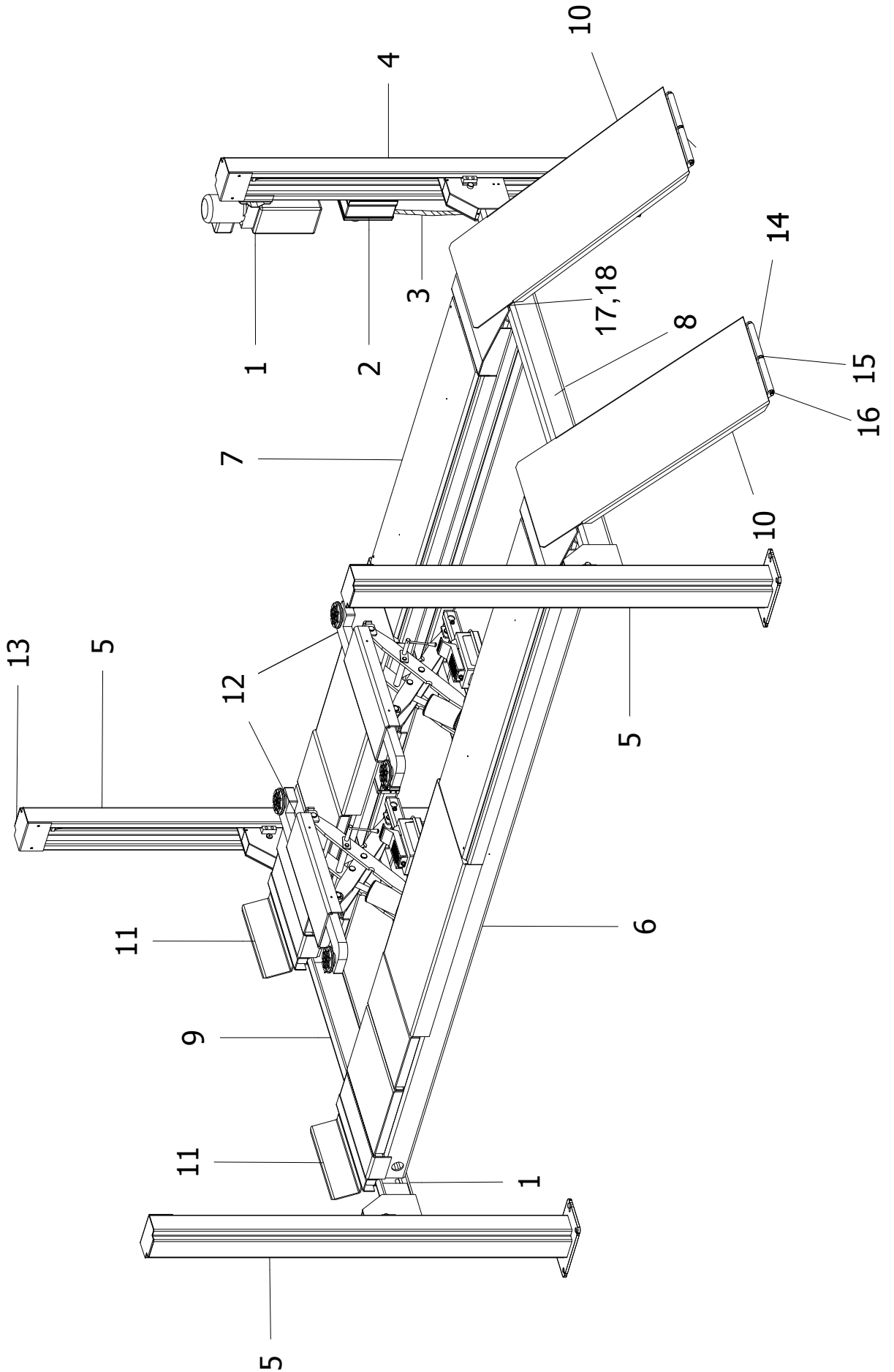
Fax.: + 61 (0)8 8346 0097

E-mail: [sales@molnarhoists.com.au](mailto:sales@molnarhoists.com.au)

**TABLE OF CONTENTS**

STRUCTURE.....	4
POST.....	6
CYLINDER.....	9
TRANSVERSE BEAM.....	11
POWER PACK.....	13
CONTROL UNIT.....	15
PLATFORM.....	17
BLANK.....	18

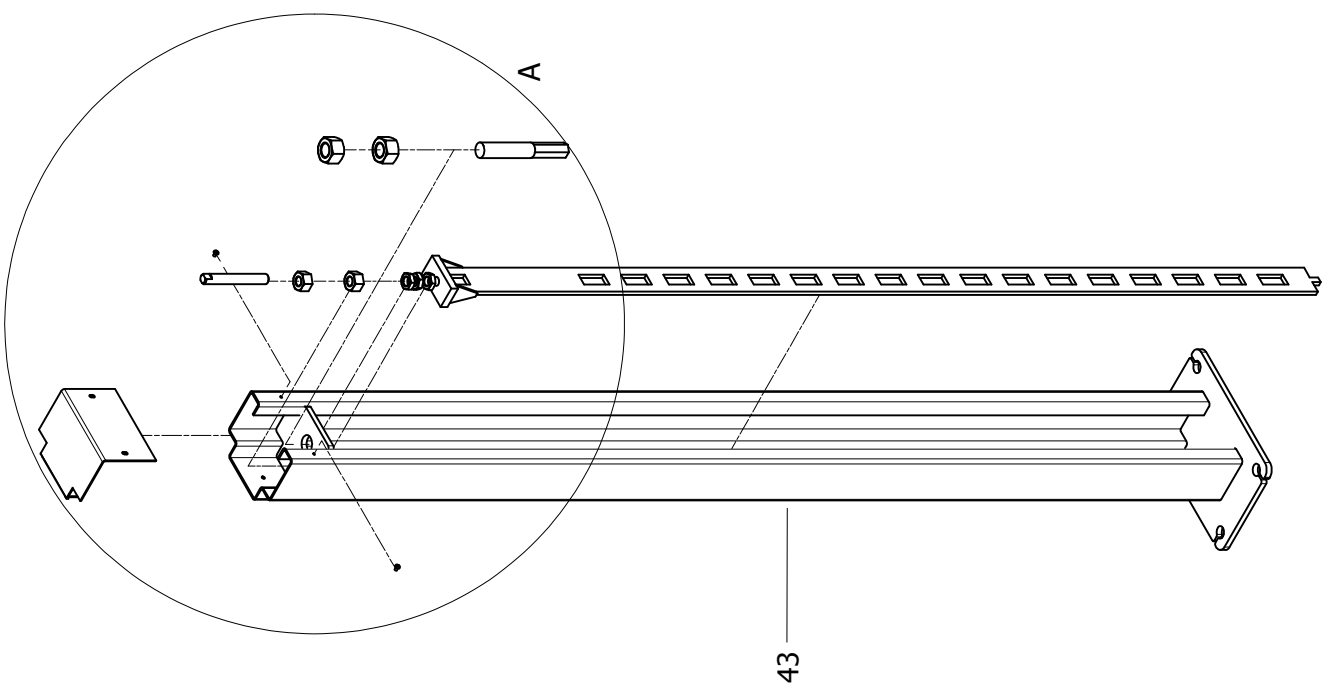
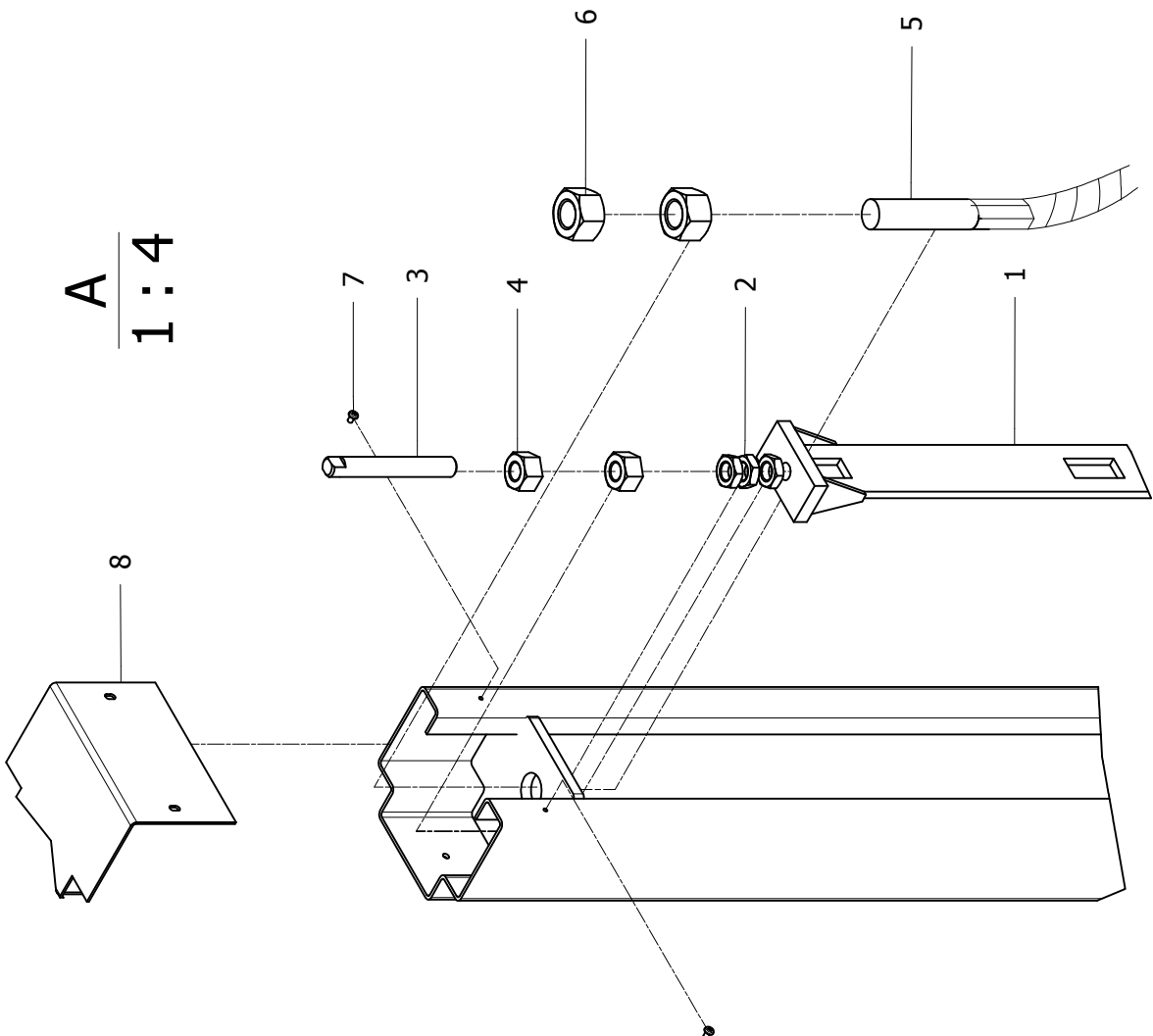
STRUCTURE



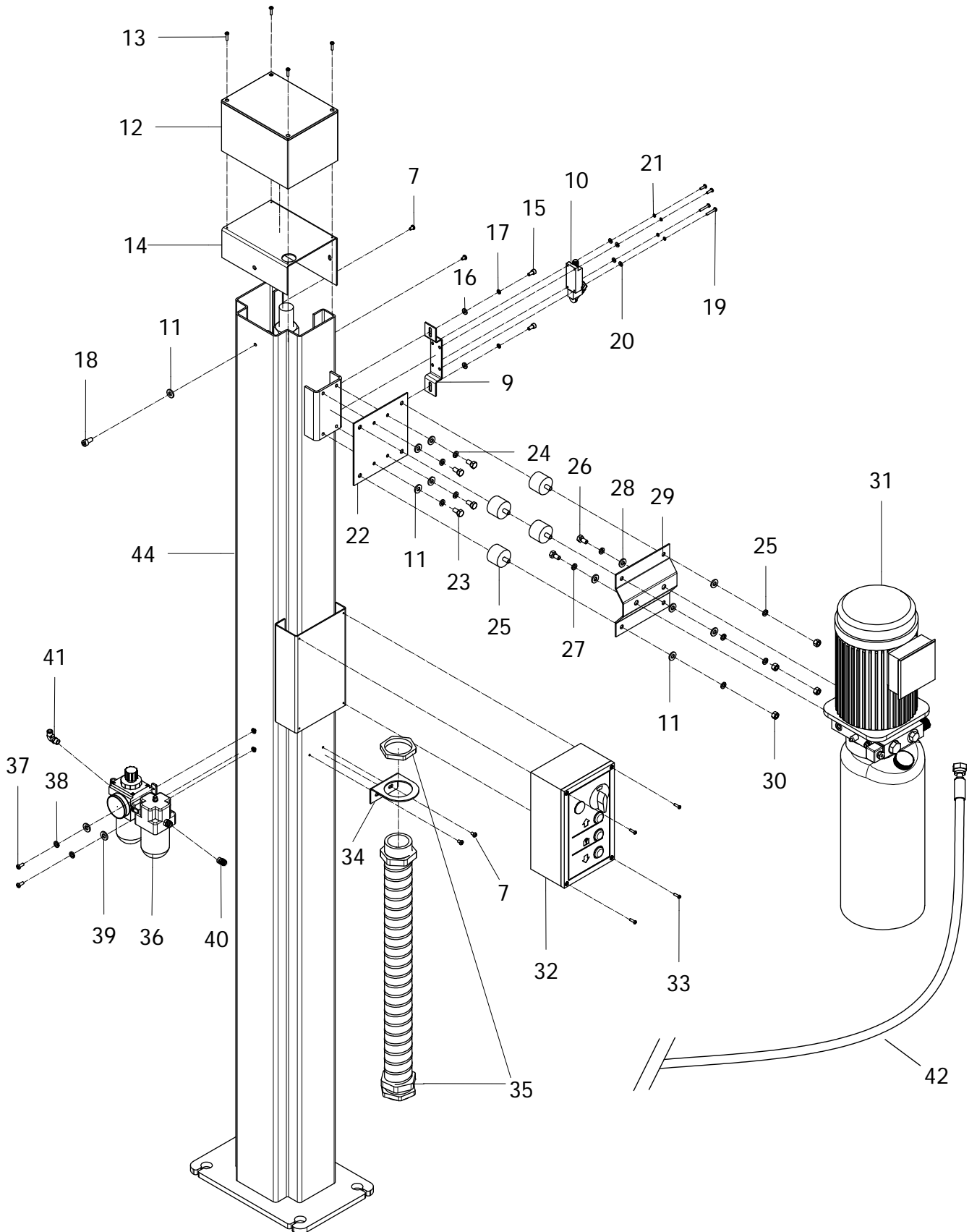
SM440		Molnar 4 Post Hoist		05/20
STRUCTURE				
ITEM	QTY.	NO.	DESIGNATION	SPECIFICATIONS
1	1	SEE PAGE 13	Power pack	
2	1	SEE PAGE 15	Control Box	
3	1	SM450-S-3	Service hose	
4	1	SM450-S-4	Control post	
5	3	SM450-S-5	Non-control post	
6	1	SM440-S-6	Slave platform -SM440-A	
	1	SM440-S-6A	Slave platform -SM440-S	
7	1	SM440-S-7	Drive platform -SM440-A	
	1	SM440-S-7A	Drive Platform -SM440-S	
8	1	SM440-S-8	Rear transverse beam	
9	1	SM440-S-9	Front transverse beam	
10	2	SM440-S-10	Run-up ramps	
11	2	SM440-S-11	Wheel Stops	
12	1	MICRO 2000	Jacking beam	
13	4	SM450-S-13	Post cover	
14	4	SM450-S-14	Run up ramp roller	
15	2	SM450-S-15	Run up ramp roller pin	
16	2	SM450-S-16	Circlip	
17	2	SM450-S-17	Run up ramp pin	
18	2	SM450-S-18	Circlip	

SLAVE POST

A  
1:4



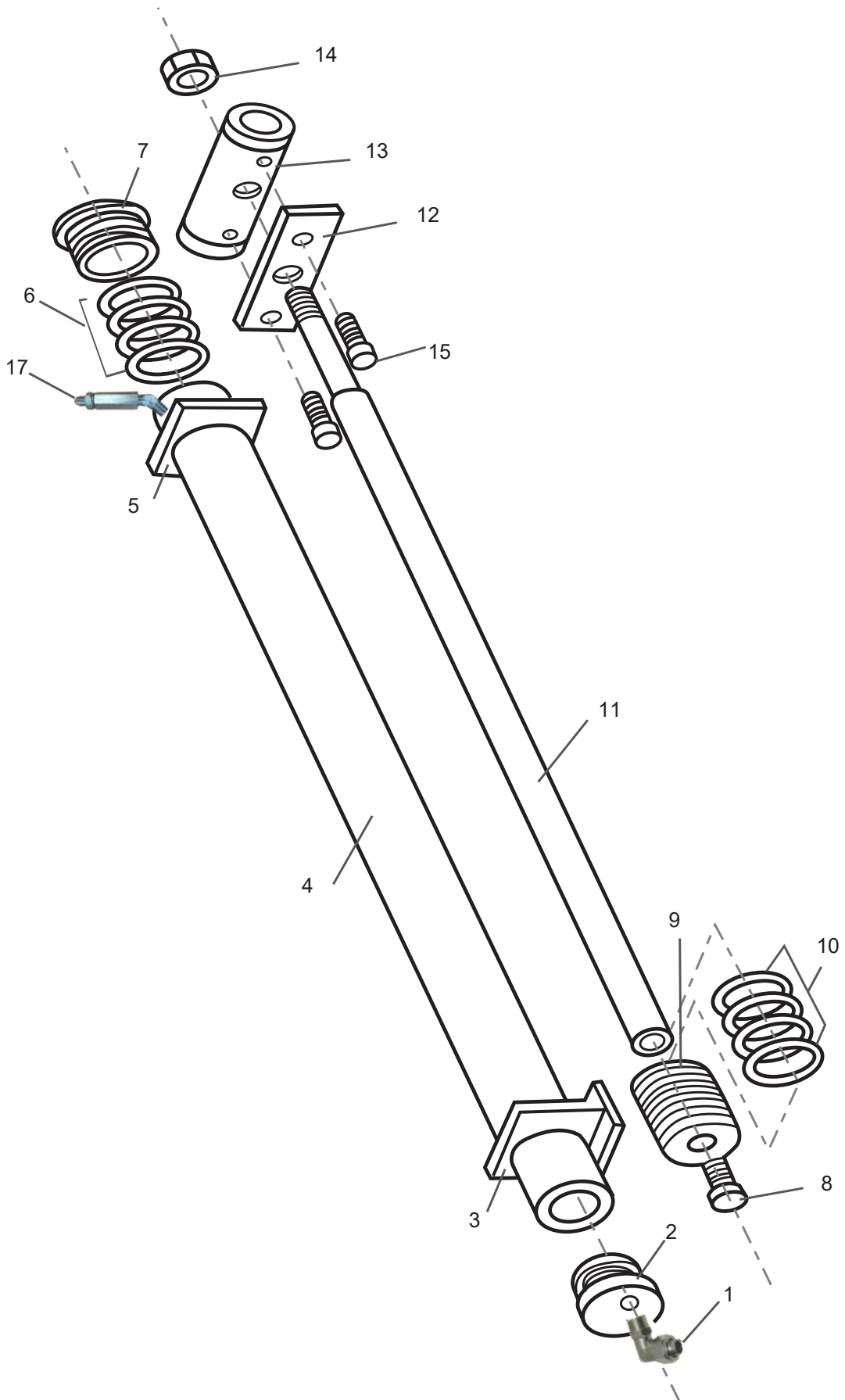
DRIVE POST



SM440		Molnar 4 Post Hoist		08/20
POST				
ITEM	QTY	NO.	DESIGNATION	SPECIFICATIONS
1	4	SM450-P-1-A SM450-P-1	Safety Bar (Old version) Safety Bar (New version)	S/N before 4P5D0142 S/N 4P5D0142 onwards
2	12	SM450-P-2	Adjusting nut (Thin)	M20 (S=30,M=10)
3	4	SM450-P-3	Adjusting stud	
4	8	SM450-P-4	Adjusting nut (Thick)	M20 (S=30,M=18)
5	2	SM440-R-10	Cable	L=13070
6	8	SM450-R-7	Cable nut	
7	8	SM450-P-5	Cross head screw	M5x8L
8	3	SM450-P-6	Salve post covers	
9	1	SM450-P-7A SM450-P-7	Mounting bracket for limit switch - NEW Mounting bracket for limit switch - OLD	
10	1	SM450-P-8	Limit switch	
11	1	SM450-P-9	Plain washer	φ8
12	1	SM450-PC-12	Transformer Housing	S/N 4P5D0142 onwards
13	4	SM450-P-11	Cross head screw	M5
14	1	SM450-P-12	Drive post cover	
15	2	SM450-P-13	Hex socket head screws	M6X12
16	2	SM450-P-14	Plain washer	φ6
17	2	SM450-P-15	Spring washer	φ6
18	1	SM450-P-16	Screw	M8x15L
19	4	SM450-P-17	Cross Head Screw	M4x16
20	4	SM450-P-18	Plain washer	φ4
21	4	SM450-P-19	Spring washer	φ4
22	1	SM450-P-20	Mounting Plate	125X125
23	4	SM450-P-21	Hex head full thread bolt	M8X15
24	4	SM450-P-22	Spring washer	φ8
25	4	SM450-P-23	Anti vibration rubber for powerpack	
26	2	SM450-M-20	Hex socket head screws	M10*20
27	2	SM450-P-25	Spring washer	φ10
28	2	SM450-P-26	Plain washer	φ10
29	1	SM450-M-19	Mounting plate for powerpack	
30	4	SM450-P-28	Hex nut	M8
31	1	SM450-M-22	SEE PAGE 14	
32	1	SM450-PC-11	SEE PAGE 16	
33	4	SM450-P-31	Cross head screw	M4x10
34	1	SM450-P-32	Bracket for service hose	
35	1	SM450-S-3	Service hose	L=1600
36	1	SM450-P-34	Oil-water Separator	AL2000-02
37	2	SM450-P-35	Cross head screw	M5x12L
38	2	SM450-P-36	Spring washer	φ5
39	2	SM450-P-37	Plain washer	φ5
40	1	SM450-P-38	Push-in Fitting	PC8-02 1/4-φ8
41	2	SM450-P-39	Push-in Fitting	PL8-02 1/4-φ8
42	1	SM440-M-21	Hydraulic hose	L=4520
43	3	SM450-S-5	Slave post	
44	1	SM450-S-4	Drive post	

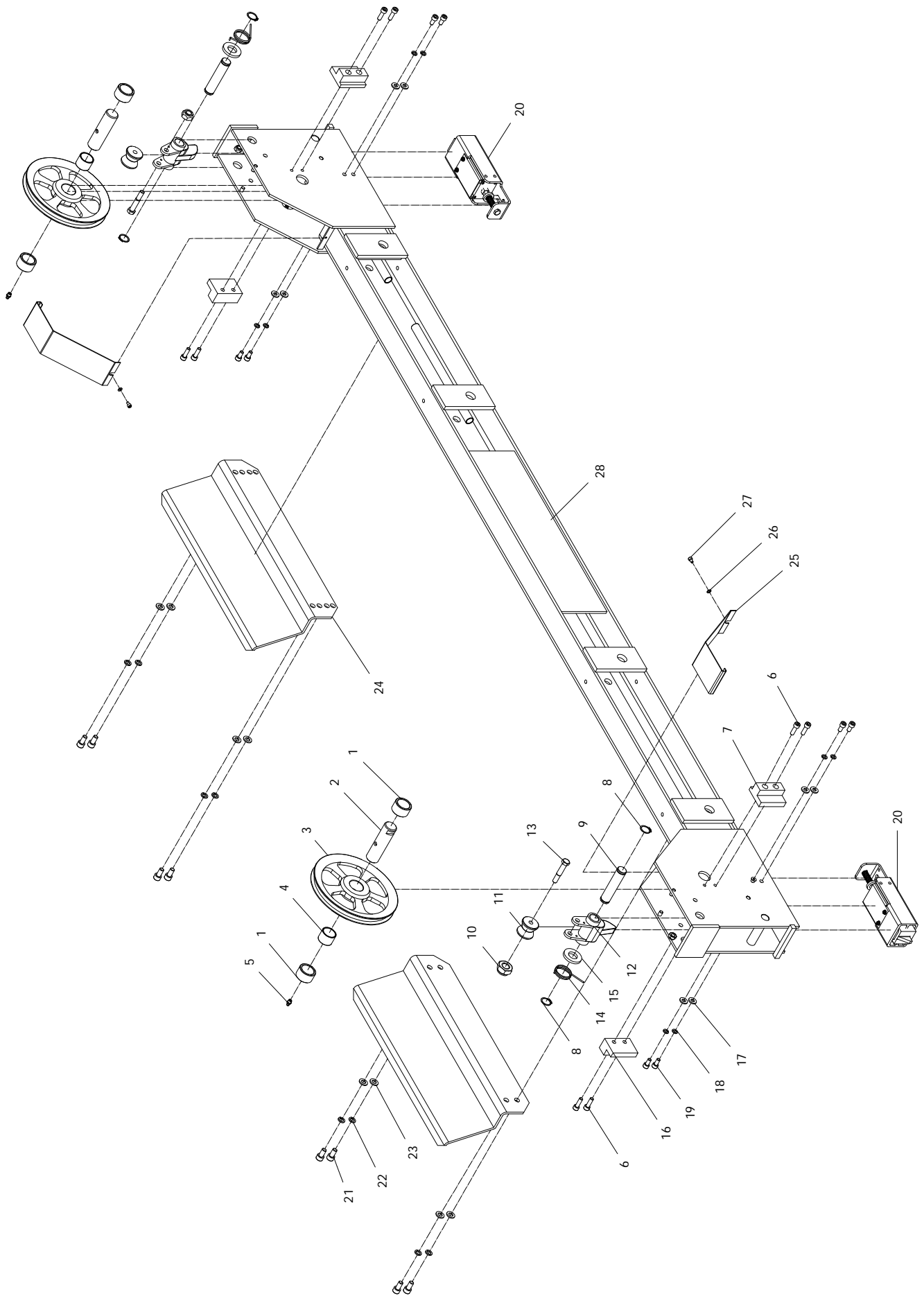


CYLINDER



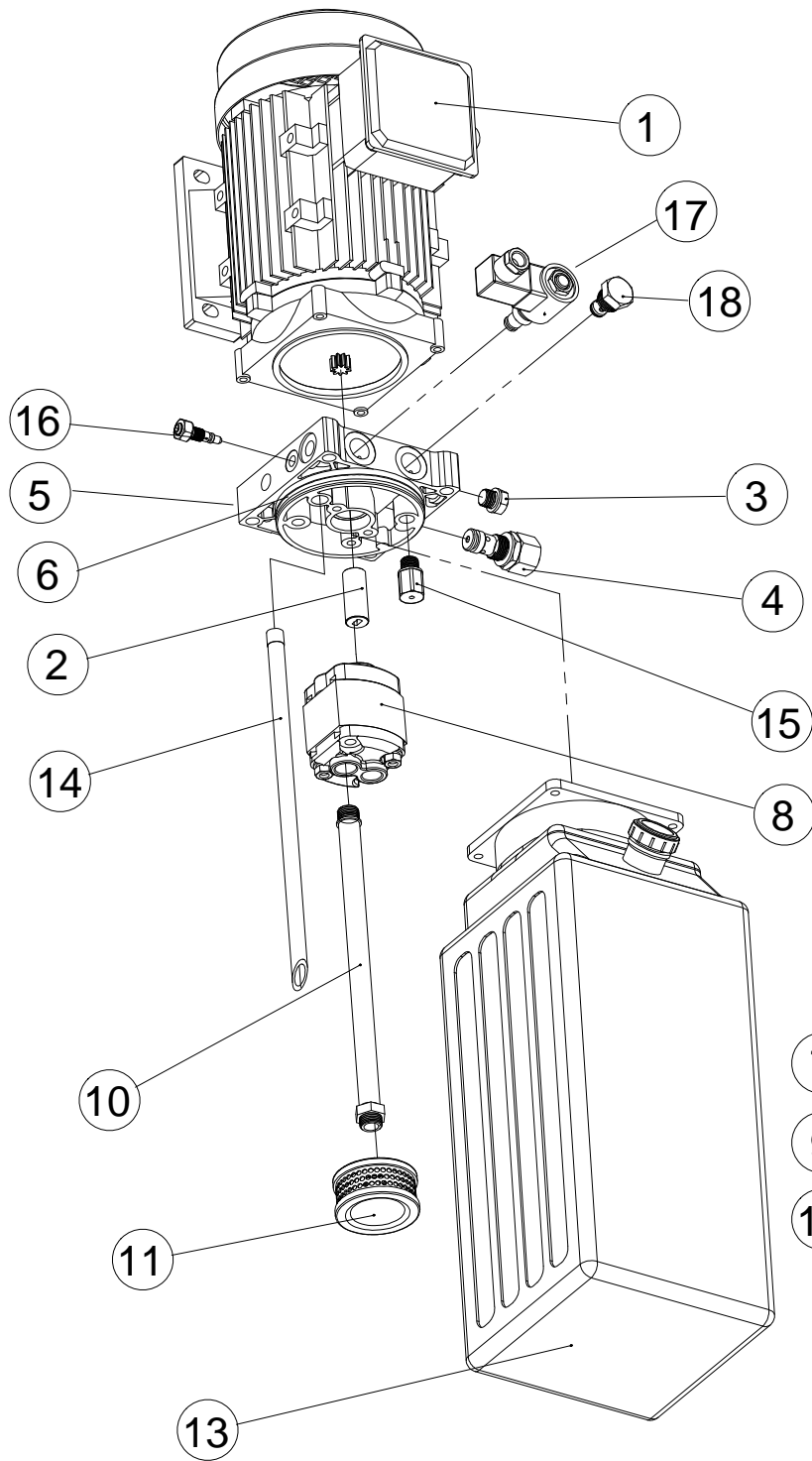
SM440		Molnar 4 Post Hoist		10/20
CYLINDER				
ITEM	QTY.	NO.	DESIGNATION	SPECIFICATIONS
1	1	SM450-C-1	Elbow fitting	
2	1	SM450-C-2	Cylinder tail cover	
3	1	SM450-C-3	Tail bracket	
4	1	SM450-C-4	Barrel	
5	1	SM450-C-5	Head bracket	
6	1	SM450-C-6	Gland seal kit	
7	1	SM450-C-7A	Cylinder gland - NEW	S/N 4P5D0333 onwards
		SM450-C-7B	Cylinder gland - OLD	S/N before 4P5D0333
8	1	SM450-C-8	Bolt	
9	1	SM450-C-9	Piston	
10	1	SM450-C-10	Piston seal kit	
11	1	SM450-C-11	Piston rod	
12	1	SM450-C-12	Cable clamp plate	
13	1	SM450-C-13	Cable clamp yoke	
14	1	SM450-C-14	Nut	
15	1	SM450-C-15	Bolt	
16	1	SM450-C-16A	Cylinder complete - NEW	
		SM450-C-16B	Cylinder complete - OLD	
		SM450-C-16C	Cylinder complete - OLDER	
17	1	SM450-C-17	Cylinder connector	

TRANSVERSE BEAM



SM440		Molnar 4 Post Hoist		12/20
TRANSVERSE BEAM				
ITEM	QTY.	NO.	DESIGNATION	SPECIFICATIONS
1	8	SM450-T-1	Pulley Spacer	φ40xφ30.4x24L
2	4	SM450-T-2	Pulley Pin - transverse beam	φ30x107L
3	4	SM450-T-3	Pulley Single Groove	φ210xφ34x25t
4	4	SM450-T-4	Bush	φ34xφ30x25t
5	4	SM450-T-5	Grease Nipple	PT1/8XST
6	8	SM450-T-6	Bolt	M8X25
7	8	SM450-T-7	Guide Block/Pin Retainer	
8	4	SM450-T-8	Circlip	φ20.5x1
9	4	SM450-T-9	Safety Shaft	φ22x100L
10	4	SM450-T-10	Nut	M10
11	4	SM450-T-11	Safety Roller	φ40x35L
12	4	SM450-T-12	Safety Toggle	
13	4	SM450-T-13	Bolt	M10X60
14	4	SM450-T-14	Spring	φ35xφ2.5x47L
15	4	SM450-T-15	Washer	
16	4	SM450-T-16	Guide block 2	
17	16	SM450-T-17	Washer	φ16xφ9x1.6
18	16	SM450-T-18	Locking Washer	φ8.1x2.1
19	16	SM450-T-19	Bolt	M8X16
20	4	SM450-T-20	Safety Lock Assembly -24V	(S/N 4P5D0142 onwards)
		SM450-T-20HV	Safety Lock Assembly -220V	(S/N before 4P5D0142)
21	8	SM450-T-21	Hex socket head screw	M10x20
22	8	SM450-T-22	spring Washer	φ10.2x2.6
23	8	SM450-T-23	Plain Washer	φ20xφ11x2
24	2	SM440-S-11	Wheel Stop	
25	4	SM450-T-25	Pulley Cover	
26	2	SM450-T-26	Plain Washer	Φ10xΦ5.3x1
27	2	SM450-T-27	Hex Screw With Flat Round Head	M5x8L
28	1	SM440-S-9	Front transverse beam	

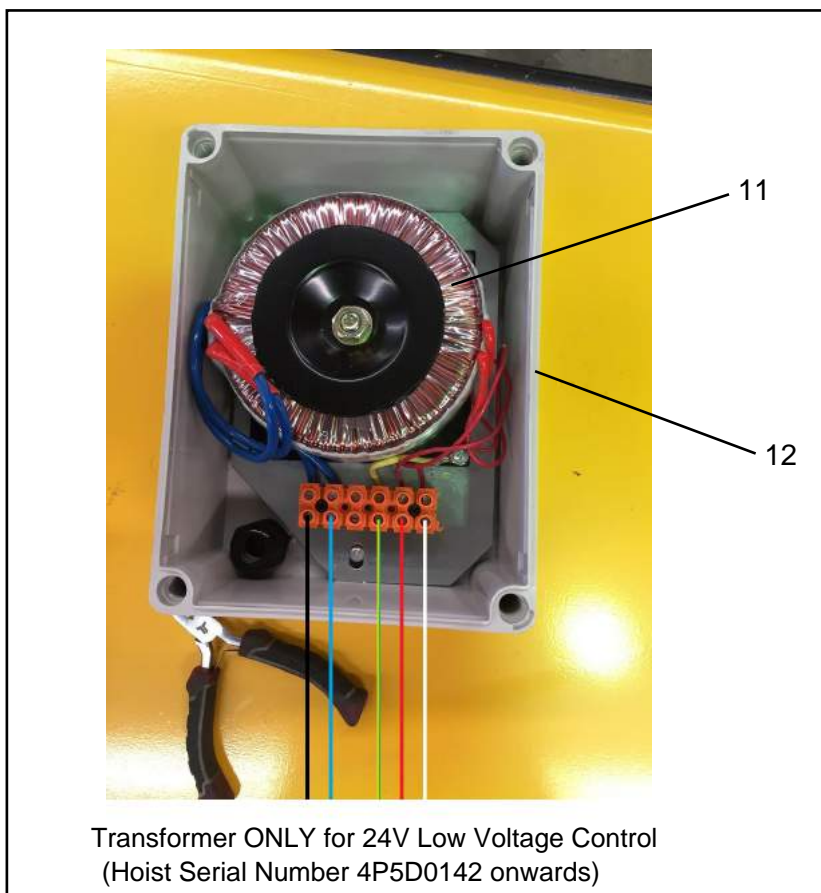
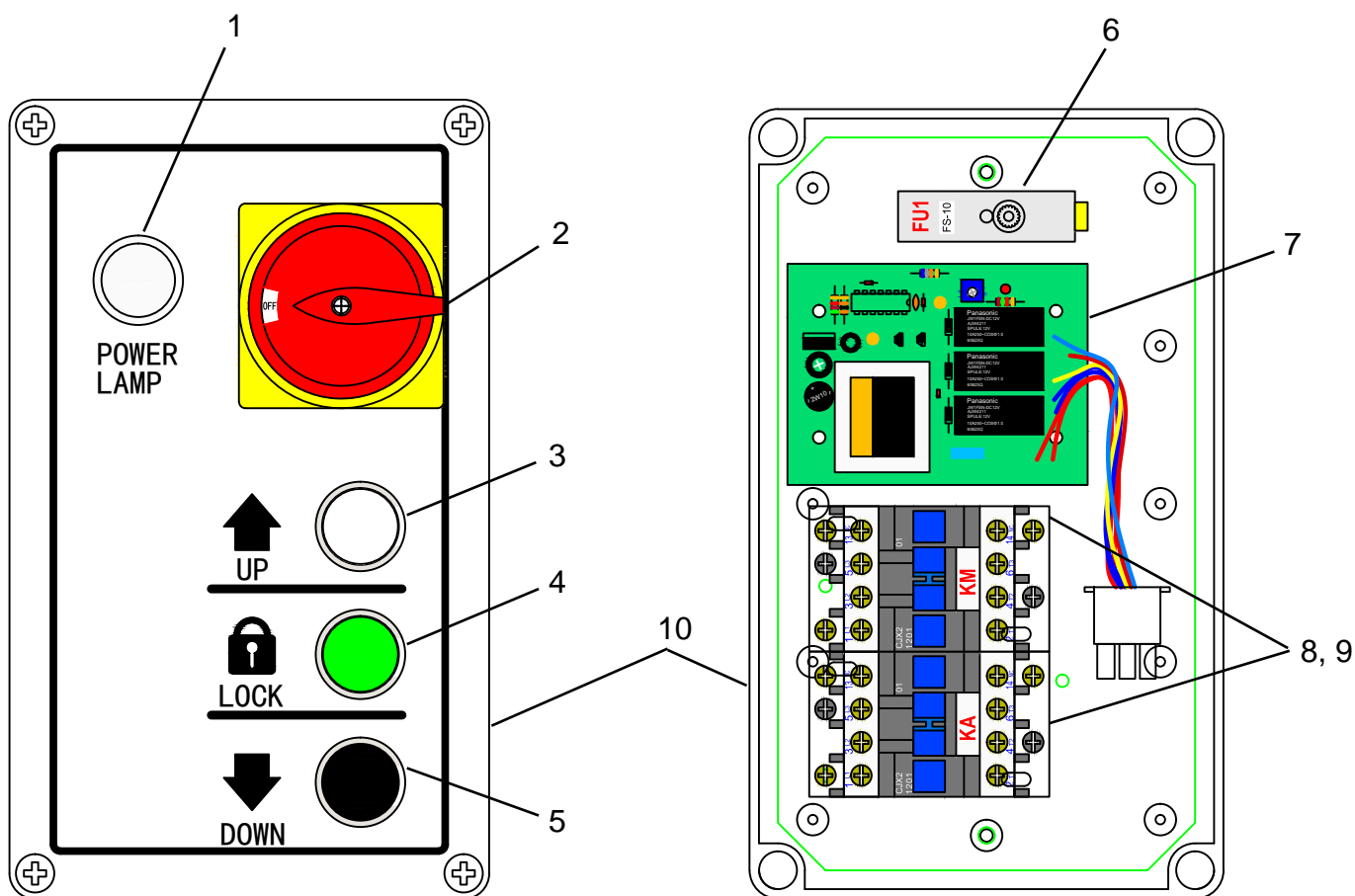
POWER PACK



- 7 Bolts for manifold block
- 9 Bolts for pump
- 12 Screws for tank

SM440		Molnar 4 Post Hoist		14/20
POWER PACK				
ITEM	QTY.	NO.	DESIGNATION	SPECIFICATIONS
1	1	SM450-M-1	motor 3 phase	S/N 4P5D0142 onwards S/N before 4P5D0142
		SM450-M-1A	motor 1 phase	
2	1	SM450-M-2	shaft adaptor	
3	2	SM450-M-3	stopper	
4	1	SM450-M-4	pressure valve	
5	1	SM450-M-5	manifold block	
6	1	SM450-M-6	seal ring	
7	4	SM450-M-7	bolt for block	
8	1	SM450-M-8	pump 2.5cc/rev - 3 phase power pack	
		SM450-M-8A	pump 2.0cc/rev - 1 phase power pack	
9	2	SM450-M-9	bolt for pump	
10	1	SM450-M-10	suction pipe	
11	1	SM450-M-11	filter	
12	4	SM450-M-12	screw for tank	
13	1	SM450-M-13	oil tank	
14	1	SM450-M-14	oil return pipe	
15	1	SM450-M-15	cushion valve	
16	1	SM450-M-16	throttle valve - Lowering control valve	
17	4	SM450-M-17	solenoid valve set(valve + coil) - 24V	
		SM450-M-17HV	solenoid valve set(valve + coil) - 220V	
18	1	SM450-M-18	one-way valve	
	1	SM450-M-22	complete hydraulic power pack 3 phase	
		SM450-M-22A	complete hydraulic power pack 1 phase	

CONTROL UNIT

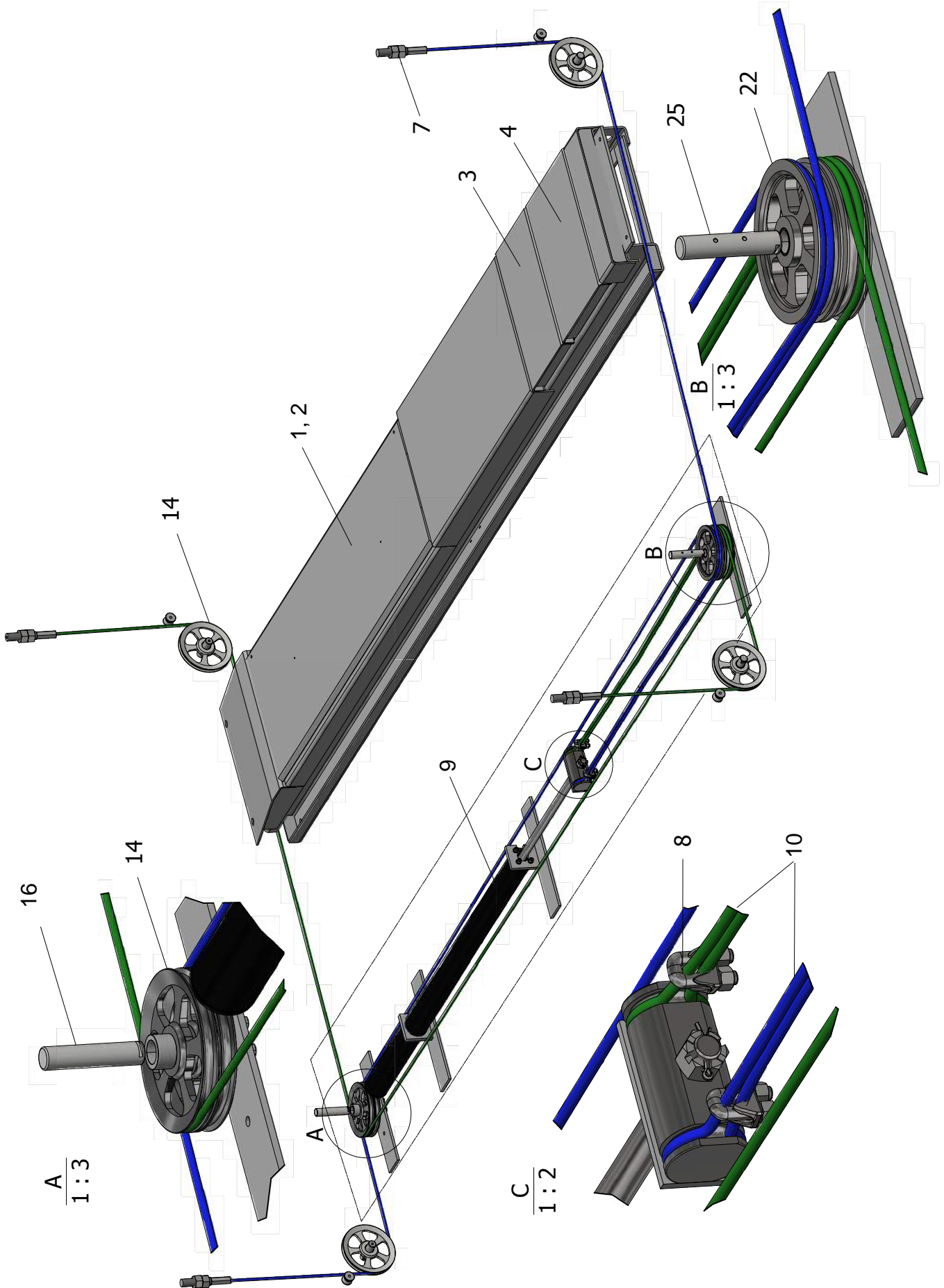


Transformer ONLY for 24V Low Voltage Control  
(Hoist Serial Number 4P5D0142 onwards)




SM440		Molnar 4 Post Hoist		16/20
CONTROL UNIT				
ITEM	QTY.	NO.	DESIGNATION	SPECIFICATIONS
	1	SM450-PC-HV3	240V Control Unit complete - 3 phase	S/N before 4P5D0142
	1	SM450-PC-HV1	240V Control Unit complete - 1 phase	S/N before 4P5D0142
	1	SM450-PC-00	24V Control Unit complete - 3 phase	S/N 4P5D0142 onwards
	1	SM450-PC-00A	24V Control Unit complete - 1 phase	S/N 4P5D0142 onwards
1	1	SM450-PC-1	Power lamp	
2	1	SM450-PC-2	Main switch	
3	1	SM450-PC-3	Push button up	
4	1	SM450-PC-4	Push button lock	
5	1	SM450-PC-5	Push button down	
6	1	SM450-PC-6	Fuse holder	
7	1	SM450-PC-7	PCB	
8/9	1+1	SM450-PC-8	Contactator	
10	1	SM450-PC-10	Control box housing	
11	1	SM450-PC-11	Transformer	S/N 4P5D0142 onwards
12	1	SM450-PC-12	Transformer housing	S/N 4P5D0142 onwards

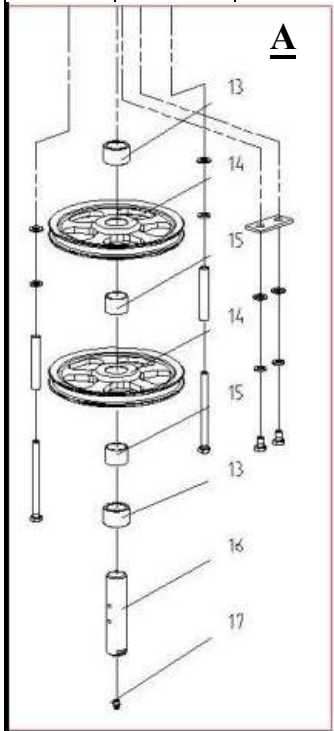


PLATFORM



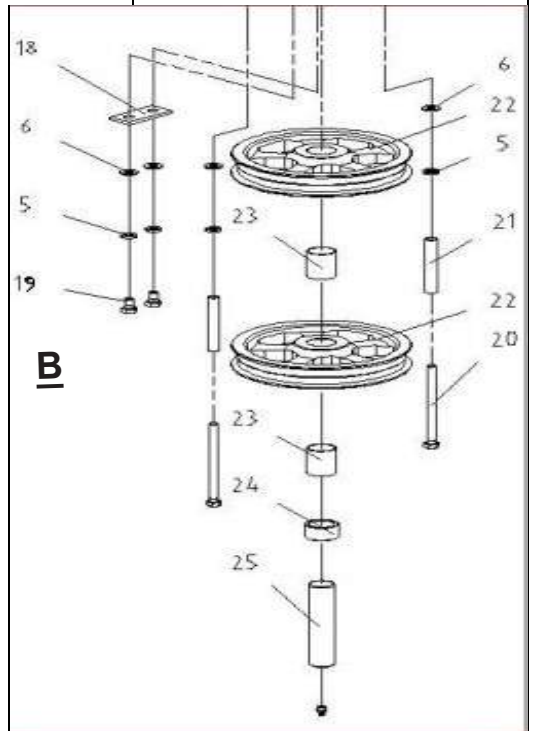
PLATFORM				
----------	--	--	--	--

ITEM	QTY.	NO.	DESIGNATION	SPECIFICATIONS
1	2	SM450-R-1	side slip plate - SM440-A ONLY	
2	16	SM450-F10	roller plate - SM440-A ONLY	
3	2	SM450-R-3	filling plate 1	374mm
4	2	SM450-R-4	filling plate 2	464mm
5	4	SM450-R-8	spring washer	
6	4	SM450-R-9	plain washer	
7	8	SM450-R-7	cable nut	
8	4	SM450-R-5	cable grips	
9	1	SM450-R-6	cylinder	
10	2	SM450-R-10	cable	
13	4	SM450-R-13	single groove pulley spacer (platform)	dia.40 x dia.30.4 x 26L
14	6	SM450-T-3	pulley single groove	
15	4	SM450-T-4	bush - DU bearing	
16	2	SM450-R-3S1	single groove pulley pin (platform) - NEW	L=136 (S/N 4P5D0142 onwards)
		SM450-R-3S2	single groove pulley pin (platform) - OLD	L=131 (S/N before 4P5D0142)
17	4	SM450-T-5	grease nipple	
18	4	SM450-R-18	shaft locking plate	
19	4	SM450-R-19	screw	
20	4	SM450-R-20	retaining bolt	
21	4	SM450-R-21	retaining bolt tube	
22	2	SM450-R-2	pulley Double groove	
23	4	SM450-R-23	bush - DU bearing	
24	4	SM450-R-24	double groove pulley spacer	dia.40 x dia.30.4 x 22L
25	2	SM450-R-3D1	double groove pulley pin (platform) - NEW	L=136 (S/N 4P5D0142 onwards)
		SM450-R-3D2	double groove pulley pin (platform) - OLD	L=131 (S/N before 4P5D0142)
26	4	SM450-R-RB	cable retaining bolt assembly	
		SM450-A-1	Air Line T Piece 	
		SM450-A-2	Air Line Pump Connector 	
		SM450-A-3	Air Line 	



**A**

A: Requires 2 Single Groove Pulleys  
 B: Requires 2 Double Groove Pulleys



**B**

19/20

Molnar 4 Post Hoist

SM440

BLANK


BLANK
