



**MOLNAR**  
By NEXION

# SM460 **FOUR POST HOIST**

## **6 TONNE FOUR POST HOIST**

### **Spare Parts Manual**



**Before  
taking into operation  
check system compo-  
nents, control, emer-  
gency stop and safety  
equipment for condi-  
tion, damage and  
correct function!**



**MOLNAR**  
BY NEXION

3 Graham Street  
Export Park  
South Australia  
5950

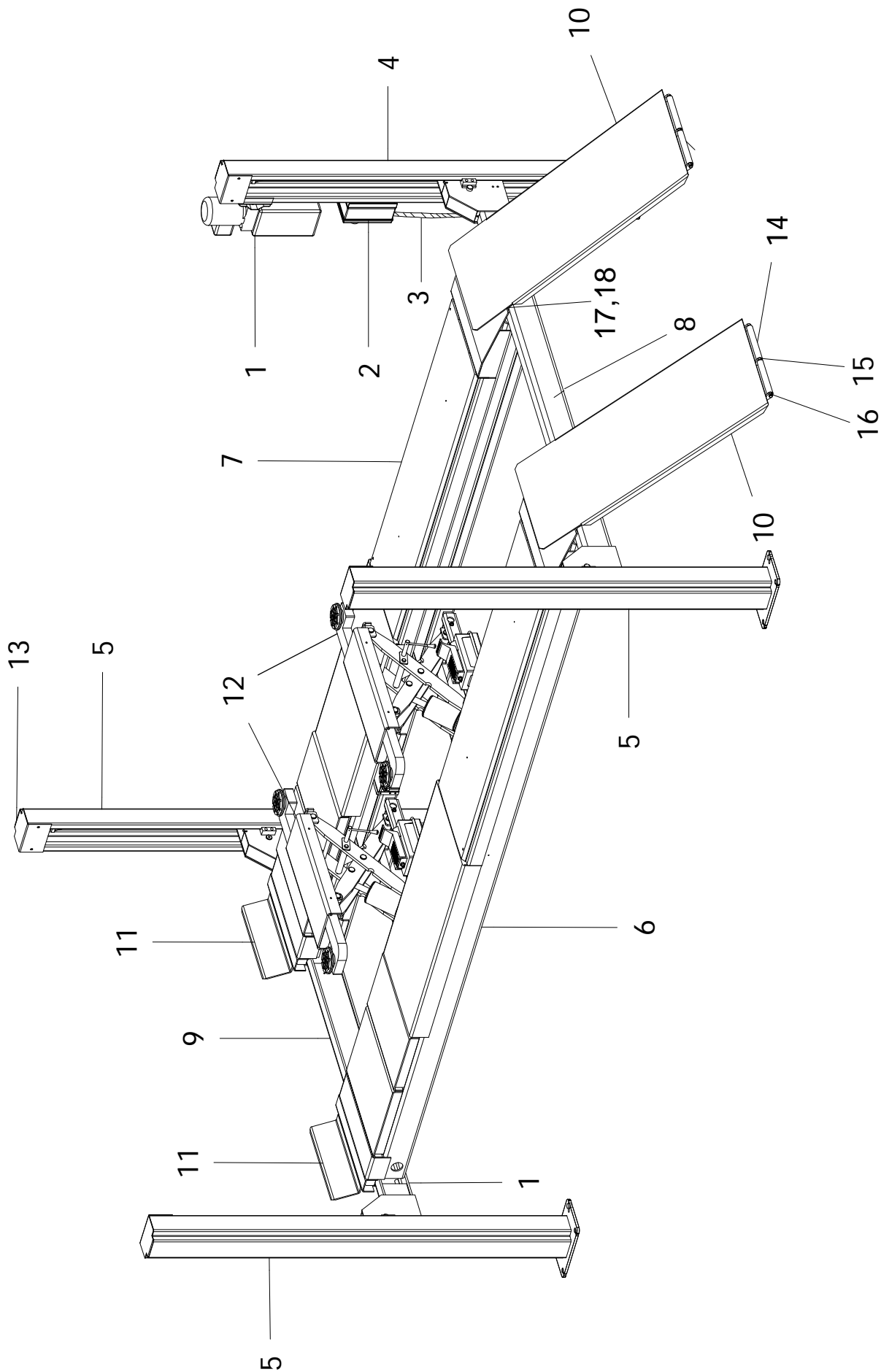
Tel.: + 61 (0)8 8346 6893  
Fax.: + 61 (0)8 8346 0097

E-mail: [sales@molnarhoists.com.au](mailto:sales@molnarhoists.com.au)

**TABLE OF CONTENTS**

|                      |    |
|----------------------|----|
| STRUCTURE.....       | 4  |
| POST.....            | 6  |
| CYLINDER.....        | 9  |
| TRANSVERSE BEAM..... | 11 |
| POWER PACK.....      | 13 |
| CONTROL UNIT.....    | 15 |
| PLATFORM.....        | 17 |
| BLANK.....           | 18 |

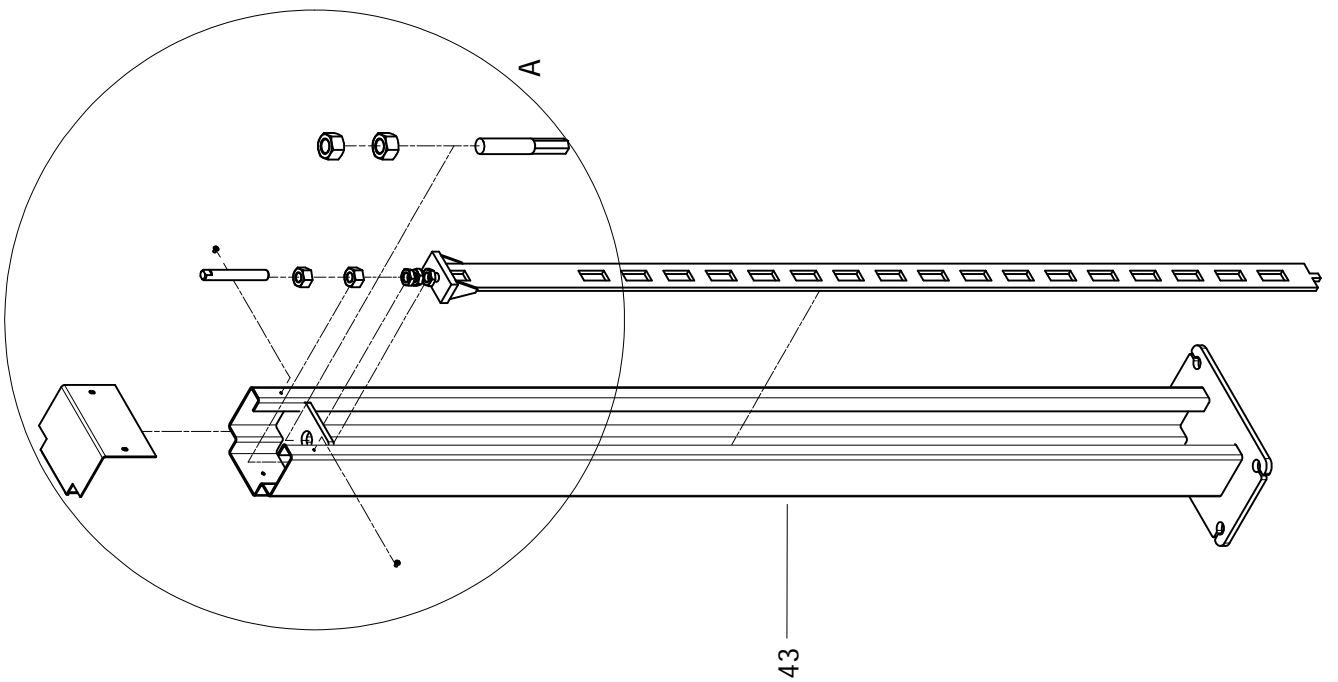
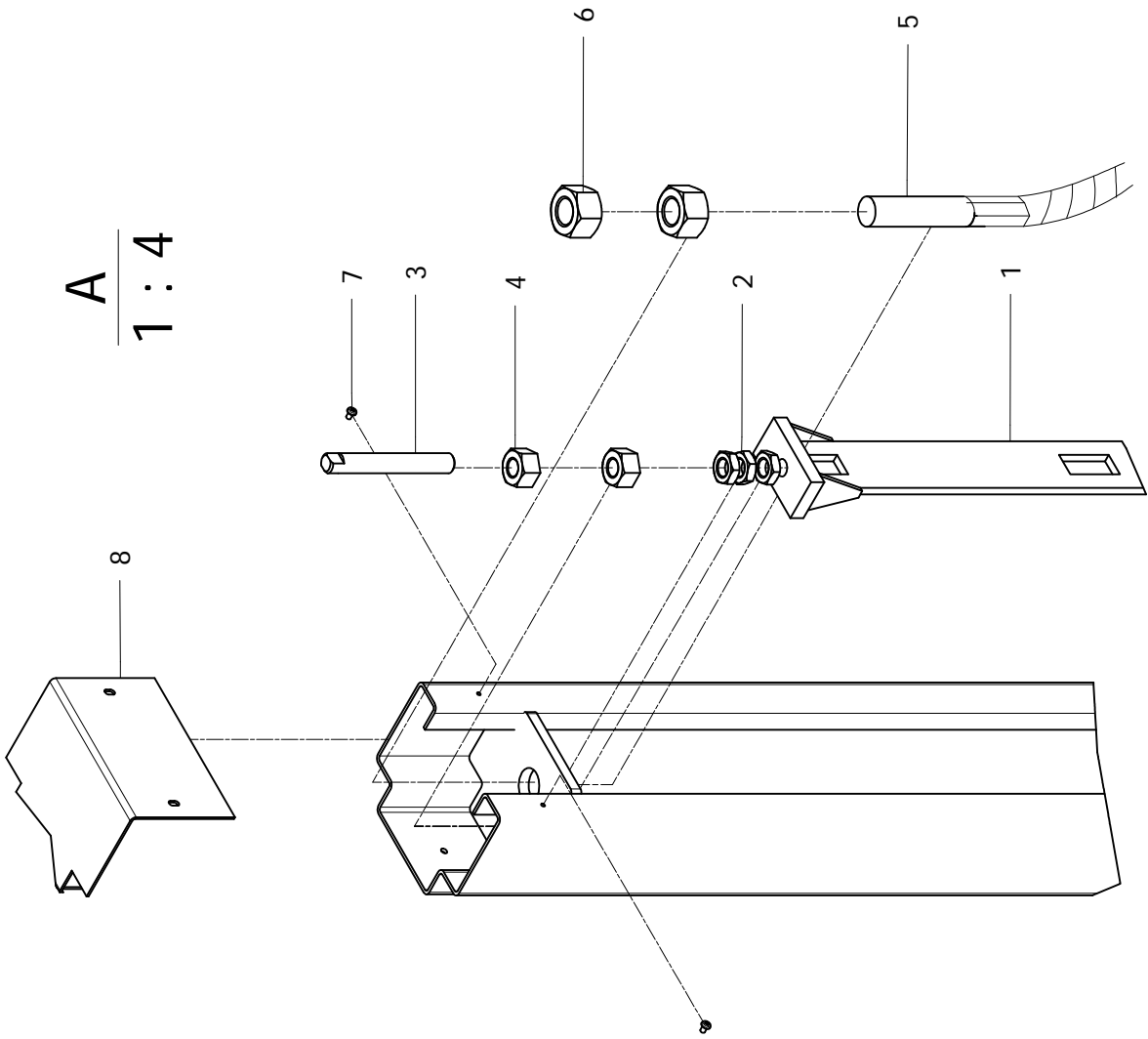
STRUCTURE



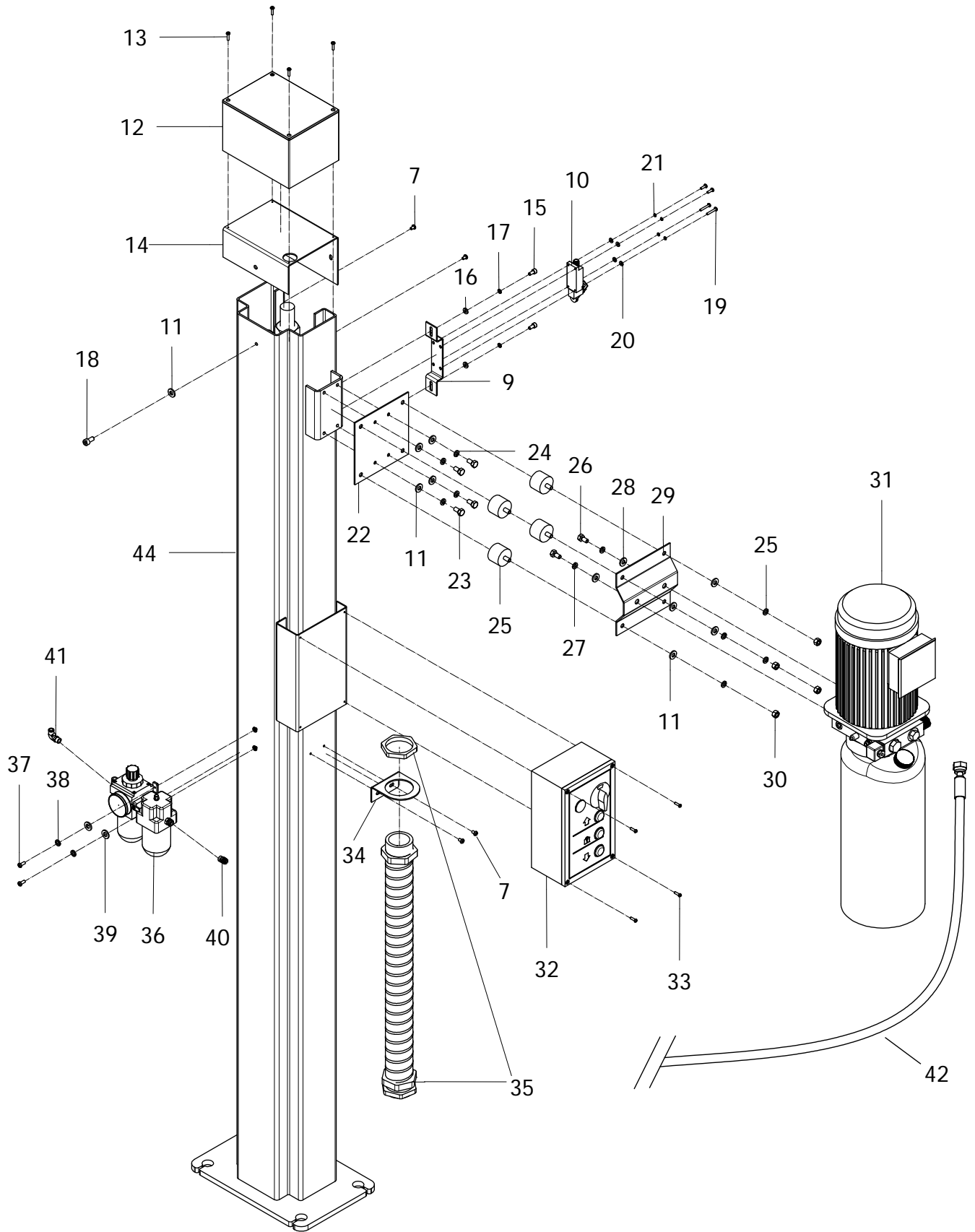
| SM460     |      | Molnar 4 Post Hoist |                          | 05/20                |
|-----------|------|---------------------|--------------------------|----------------------|
| STRUCTURE |      |                     |                          |                      |
| ITEM      | QTY. | NO.                 | DESIGNATION              | SPECIFICATIONS       |
| 1         | 1    | SEE PAGE 13         | Power pack               |                      |
| 2         | 1    | SEE PAGE 15         | Control Box              |                      |
| 3         | 1    | SM450-S-3           | Service hose             |                      |
| 4         | 1    | SM460-S-4           | Control post             |                      |
| 5         | 3    | SM460-S-5           | Non-control post         |                      |
| 6         | 1    | SM460-S-6           | Slave platform - SM460-S |                      |
|           |      | SM460-A-6           | Slave platform - SM460-A |                      |
| 7         | 1    | SM460-S-7           | Drive Platform - SM460-S |                      |
|           |      | SM460-A-7           | Drive Platform - SM460-A |                      |
| 8         | 1    | SM460-S-8           | Rear transverse beam     |                      |
| 9         | 1    | SM460-S-9           | Front transverse beam    |                      |
| 10        | 2    | SM450-S-10          | Run-up ramps             |                      |
| 11        | 2    | SM450-S-11          | Wheel Stops              |                      |
| 12        | 1    | MICRO 3000-B        | Jacking beam - NEW       | S/N JB3D0504 onwards |
| 12        | 1    | MICRO 3000          | Jacking beam - OLD       | S/N before JB3D0504  |
| 13        | 4    | SM460-S-13          | Post cover               |                      |
| 14        | 4    | SM450-S-14          | Run up ramp roller       |                      |
| 15        | 2    | SM450-S-15          | Run up ramp roller pin   |                      |
| 16        | 2    | SM450-S-16          | Circlip                  |                      |
| 17        | 2    | SM450-S-17          | Run up ramp pin          |                      |
| 18        | 2    | SM450-S-18          | Circlip                  |                      |

SLAVE POST

A  
1:4



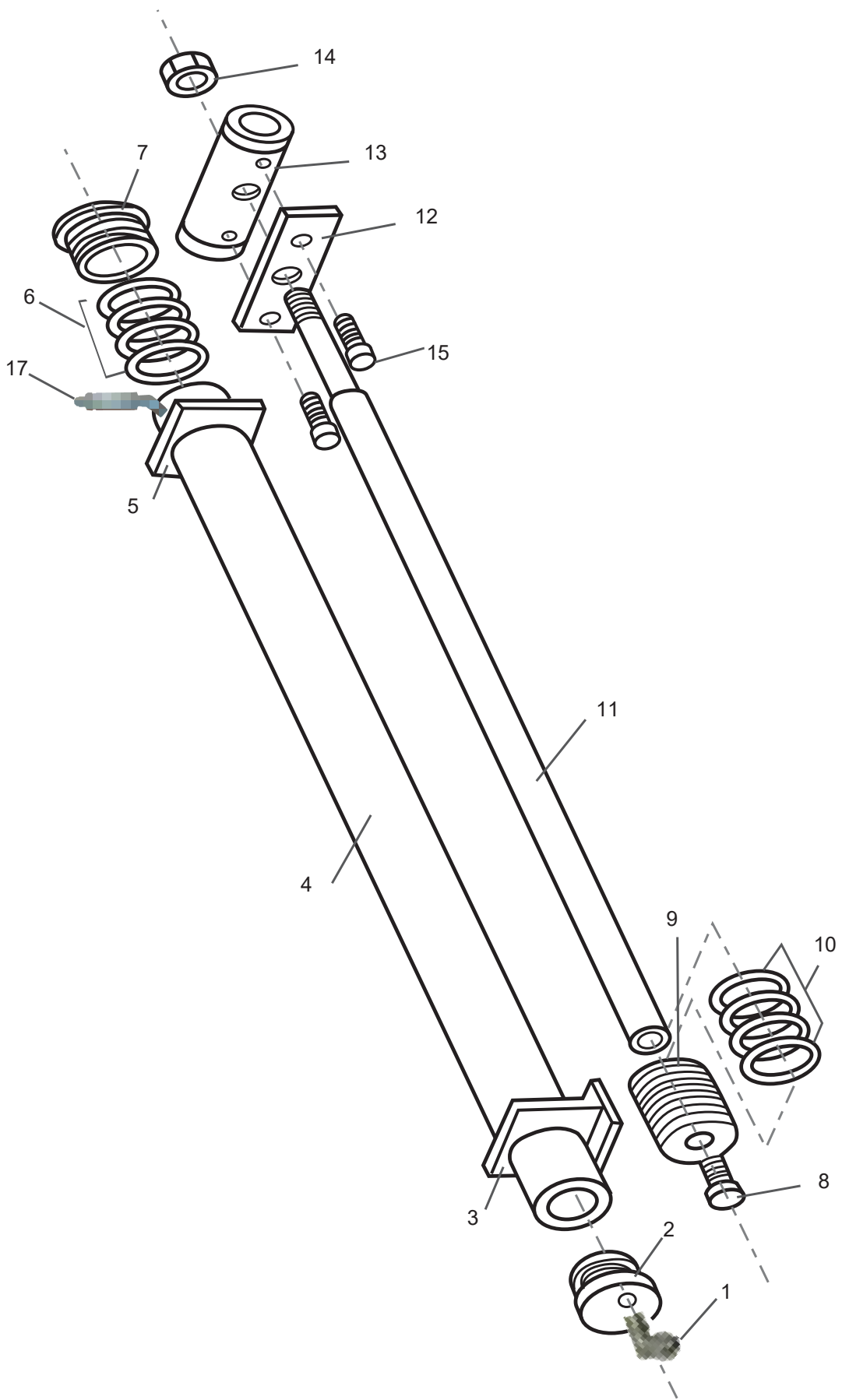
DRIVE POST



| SM460 |     | Molnar 4 Post Hoist      |  | 08/20                                       |
|-------|-----|--------------------------|--|---|
| POST  |     |                          |  |   |
| ITEM  | QTY | NO.                      | DESIGNATION  | SPECIFICATIONS                              |
| 1     | 4   | SM450-P-1-A<br>SM450-P-1 | Safety Bar (Old version)<br>Safety Bar (New version)                               | S/N before 4P5D0142<br>S/N 4P5D0142 onwards |
| 2     | 12  | SM450-P-2                | Adjusting nut (Thin)   | M20 (S=30,M=10)                             |
| 3     | 4   | SM450-P-3                | Adjusting stud   |   |
| 4     | 8   | SM450-P-4                | Adjusting nut (Thick)  | M20 (S=30,M=18)                             |
| 5     | 2   | SM460-R-10               | Cable  |   |
| 6     | 8   | SM450-R-7                | Cable nut  |   |
| 7     | 8   | SM450-P-5                | Cross head screw   | M5x8L                                       |
| 8     | 3   | SM460-P-6                | Salve post covers  |   |
| 9     | 1   | SM450-P-7A<br>SM450-P-7  | Mounting bracket for limit switch - NEW<br>Mounting bracket for limit switch - OLD |   |
| 10    | 1   | SM450-P-8                | Limit switch   |   |
| 11    | 1   | SM450-P-9                | Plain washer   | φ8  |
| 12    | 1   | SM450-PC-12              | Transformer Housing  | S/N 4P5D0142 onwards                        |
| 13    | 4   | SM450-P-11               | Cross head screw   | M5  |
| 14    | 1   | SM460-P-12               | Drive post cover   |   |
| 15    | 2   | SM450-P-13               | Hex socket head screws   | M6X12                                       |
| 16    | 2   | SM450-P-14               | Plain washer   | φ6  |
| 17    | 2   | SM450-P-15               | Spring washer  | φ6  |
| 18    | 1   | SM450-P-16               | Screw  | M8x15L                                      |
| 19    | 4   | SM450-P-17               | Cross Head Screw   | M4x16                                       |
| 20    | 4   | SM450-P-18               | Plain washer   | φ4  |
| 21    | 4   | SM450-P-19               | Spring washer  | φ4  |
| 22    | 1   | SM450-P-20               | Mounting Plate   | 125X125                                     |
| 23    | 4   | SM450-P-21               | Hex head full thread bolt  | M8X15                                       |
| 24    | 4   | SM450-P-22               | Spring washer  | φ8  |
| 25    | 4   | SM450-P-23               | Anti vibration rubber for powerpack  |   |
| 26    | 2   | SM450-M-20               | Hex socket head screws   | M10*20                                      |
| 27    | 2   | SM450-P-25               | Spring washer  | φ10   |
| 28    | 2   | SM450-P-26               | Plain washer   | φ10   |
| 29    | 1   | SM450-M-19               | Mounting plate for powerpack   |   |
| 30    | 4   | SM450-P-28               | Hex nut  | M8  |
| 31    | 1   | SM460-M-22               | SEE PAGE 14  |   |
| 32    | 1   | SM450-PC-11              | SEE PAGE 16  |   |
| 33    | 4   | SM450-P-31               | Cross head screw   | M4x10                                       |
| 34    | 1   | SM450-P-32               | Bracket for service hose   |   |
| 35    | 1   | SM450-S-3                | Service hose   | L=1600                                      |
| 36    | 1   | SM450-P-34               | Oil-water Separator  | AL2000-02                                   |
| 37    | 2   | SM450-P-35               | Cross head screw   | M5x12L                                      |
| 38    | 2   | SM450-P-36               | Spring washer  | φ5  |
| 39    | 2   | SM450-P-37               | Plain washer   | φ5  |
| 40    | 1   | SM450-P-38               | Push-in Fitting  | PC8-02 1/4-φ8                               |
| 41    | 2   | SM450-P-39               | Push-in Fitting  | PL8-02 1/4-φ8                               |
| 42    | 1   | SM460-M-21               | Hydraulic hose   |   |
| 43    | 3   | SM460-S-5                | Slave post   |   |
| 44    | 1   | SM460-S-4                | Drive post   |   |

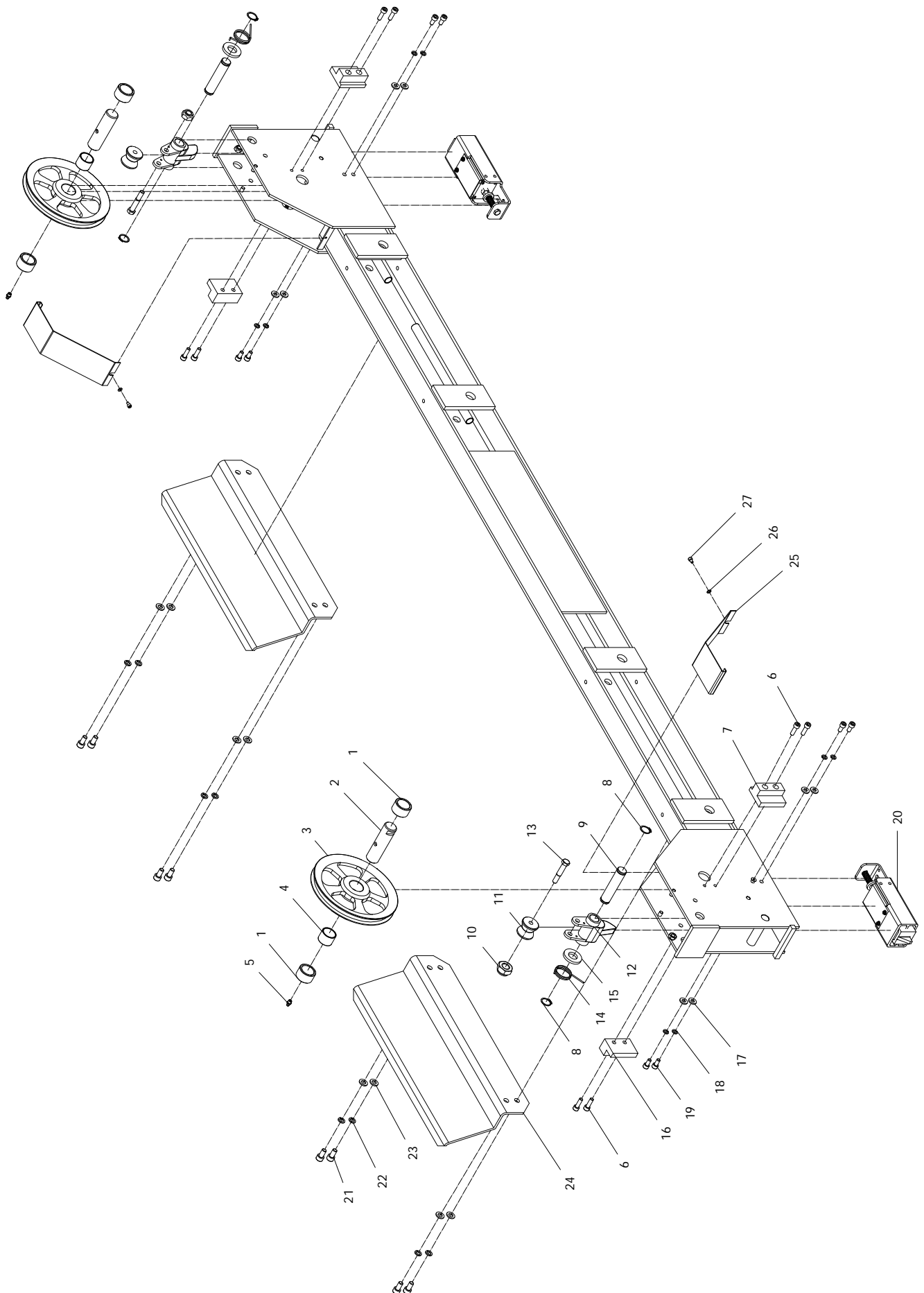


CYLINDER



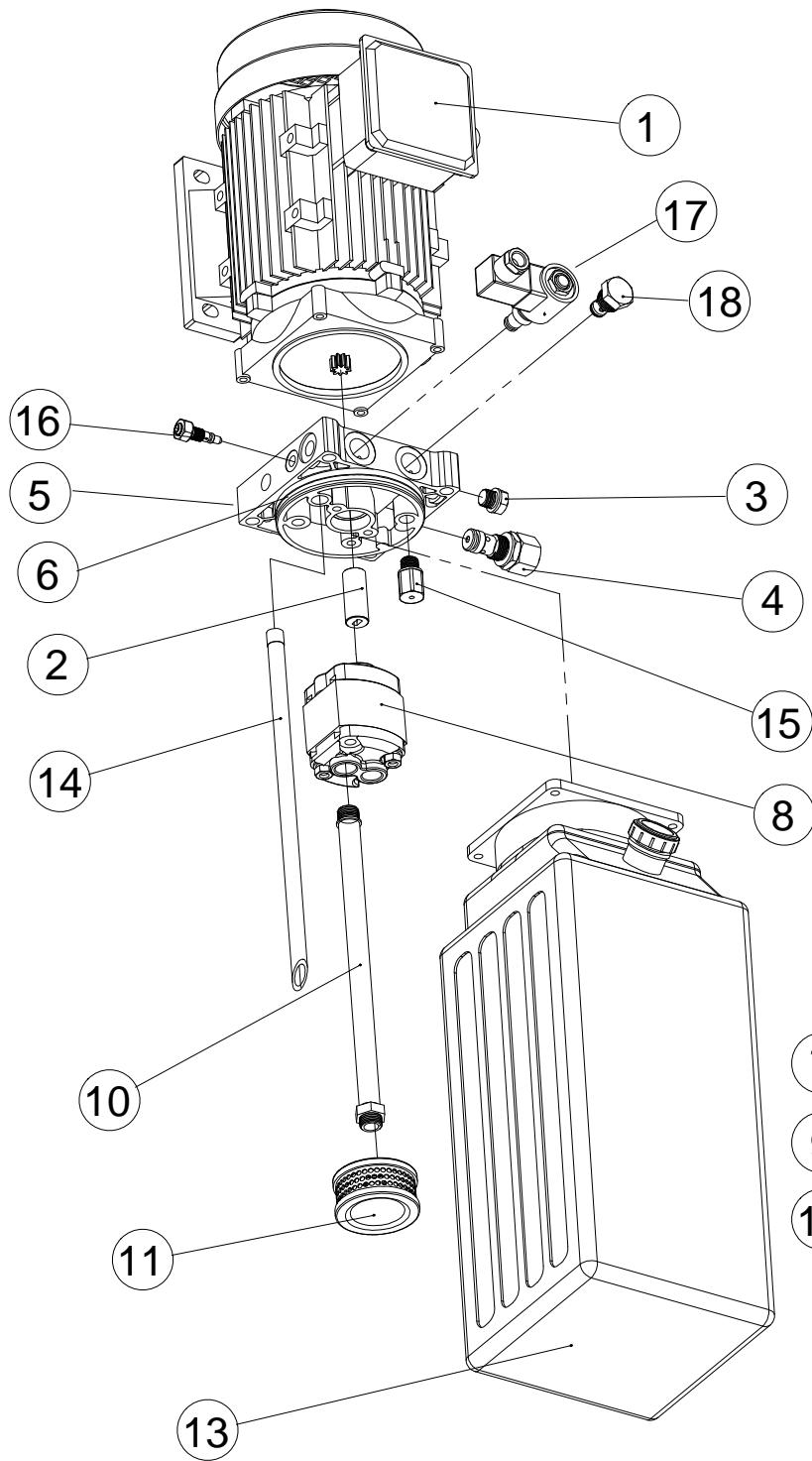
| SM460    |      | Molnar 4 Post Hoist |  | 10/20          |
|----------|------|---------------------|--|----------------|
| CYLINDER |      |                     |  |                |
| ITEM     | QTY. | NO.                 | DESIGNATION  | SPECIFICATIONS |
| 1        | 1    | SM450-C-1           | Elbow fitting  |                |
| 2        | 1    | SM460-C-2           | Cylinder tail cover  |                |
| 3        | 1    | SM460-C-3           | Tail bracket   |                |
| 4        | 1    | SM460-C-4           | Barrel   |                |
| 5        | 1    | SM460-C-5           | Head bracket   |                |
| 6        | 1    | SM460-C-6           | Gland seal kit   |                |
| 7        | 1    | SM460-C-7           | Cylinder gland   |                |
| 8        | 1    | SM460-C-8           | Bolt   |                |
| 9        | 1    | SM460-C-9           | Piston   |                |
| 10       | 1    | SM460-C-10          | Piston seal kit  |                |
| 11       | 1    | SM460-C-11          | Piston rod   |                |
| 12       | 1    | SM460-C-12          | Cable clamp plate  |                |
| 13       | 1    | SM460-C-13          | Cable clamp yoke   |                |
| 14       | 1    | SM460-C-14          | Nut  | M27            |
| 15       | 1    | SM450-C-15          | Bolt   |                |
| 16       | 1    | SM460-C-16A         | Cylinder complete - NEW (S/N 4P6D0558 onwards, but except 4P6D0564-0569)       |                |
|          |      | SM460-C-16B         | Cylinder complete - OLD (S/N before 4P6D0558, but also includes 4P6D0564-0569) |                |
| 17       | 1    | SM450-C-17          | Cylinder connector   |                |

TRANSVERSE BEAM



| SM460           |      | Molnar 4 Post Hoist |                                | 12/20                  |
|-----------------|------|---------------------|--------------------------------|------------------------|
| TRANSVERSE BEAM |      |                     |                                |                        |
| ITEM            | QTY. | NO.                 | DESIGNATION                    | SPECIFICATIONS         |
| 1               | 8    | SM460-T-1           | Pulley Spacer                  | φ54xφ40.5x21L          |
| 2               | 4    | SM460-T-2           | Pulley Pin - transverse beam   | φ40x115L               |
| 3               | 4    | SM460-T-3           | Pulley Single Groove           |                        |
| 4               | 4    | SM460-T-4           | Bush                           | φ44xφ40x30t            |
| 5               | 4    | SM450-T-5           | Grease Nipple                  | PT1/8XST               |
| 6               | 8    | SM450-T-6           | Bolt                           | M8X25                  |
| 7               | 8    | SM450-T-7           | Guide Block/Pin Retainer       |                        |
| 8               | 4    | SM450-T-8           | Circlip                        | φ20.5x1                |
| 9               | 4    | SM450-T-9           | Safety Shaft                   | φ22x100L               |
| 10              | 4    | SM450-T-10          | Nut                            | M10                    |
| 11              | 4    | SM450-T-11          | Safety Roller                  | φ40x35L                |
| 12              | 4    | SM450-T-12          | Safety Toggle                  |                        |
| 13              | 4    | SM450-T-13          | Bolt                           | M10X60                 |
| 14              | 4    | SM450-T-14          | Spring                         | φ35xφ2.5x47L           |
| 15              | 4    | SM450-T-15          | Washer                         |                        |
| 16              | 4    | SM450-T-16          | Guide block 2                  |                        |
| 17              | 16   | SM450-T-17          | Washer                         | φ16xφ9x1.6             |
| 18              | 16   | SM450-T-18          | Locking Washer                 | φ8.1x2.1               |
| 19              | 16   | SM460-T-19          | Bolt                           | M8x20                  |
| 20              | 4    | SM450-T-20          | Safety Lock Assembly -24V      | (S/N 4P5D0142 onwards) |
|                 |      | SM450-T-20HV        | Safety Lock Assembly -220V     | (S/N before 4P5D0142)  |
| 21              | 8    | SM450-T-21          | Hex socket head screw          | M10x20                 |
| 22              | 8    | SM450-T-22          | spring Washer                  | φ10.2x2.6              |
| 23              | 8    | SM450-T-23          | Plain Washer                   | φ20xφ11x2              |
| 24              | 2    | SM450-T-24          | Wheel Stop                     |                        |
| 25              | 4    | SM460-T-25          | Pulley Cover                   |                        |
| 26              | 2    | SM450-T-26          | Plain Washer                   | Φ10xΦ5.3x1             |
| 27              | 2    | SM450-T-27          | Hex Screw With Flat Round Head | M5x8L                  |

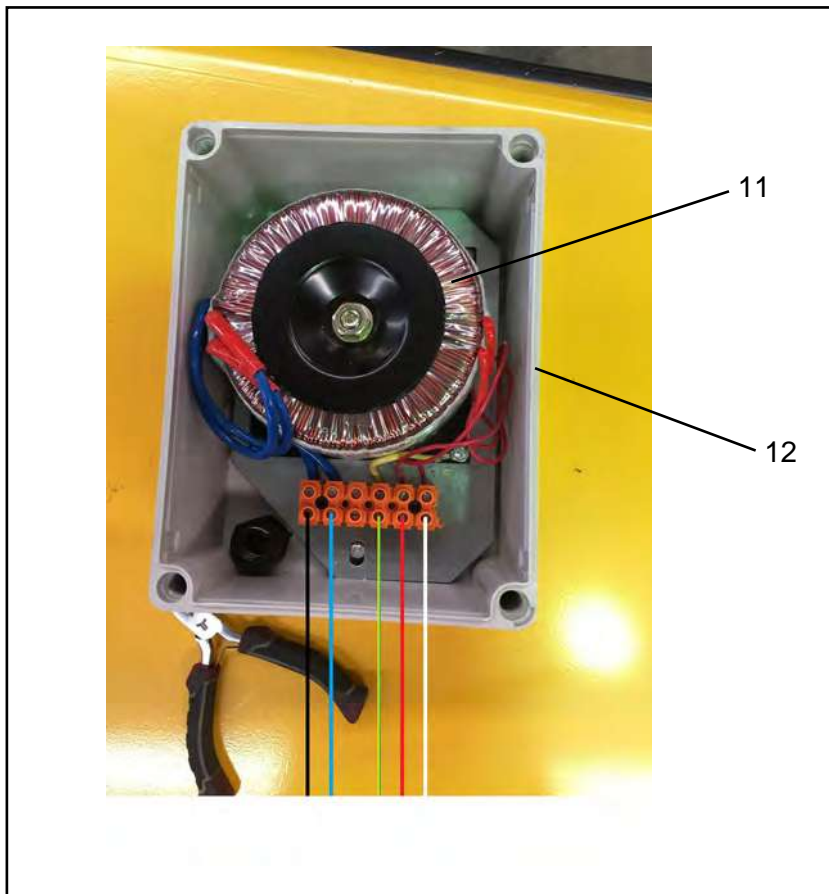
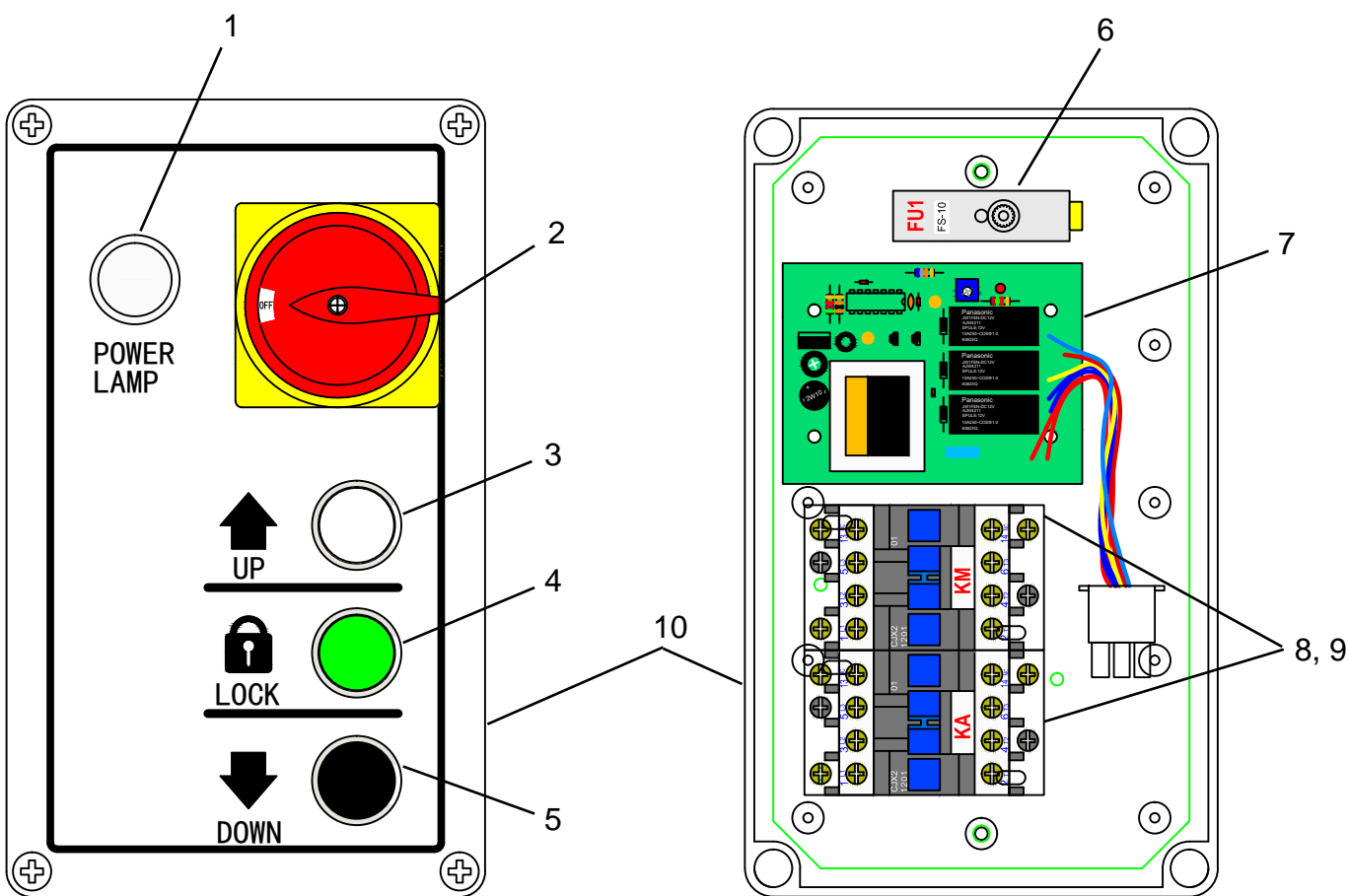
POWER PACK



- 7 Bolts for manifold block
- 9 Bolts for pump
- 12 Screws for tank

| SM460      |      | Molnar 4 Post Hoist       |  | 14/20          |
|------------|------|---------------------------|--|----------------|
| POWER PACK |      |                           |  |                |
| ITEM       | QTY. | NO.                       | DESIGNATION  | SPECIFICATIONS |
| 1          | 1    | SM460-M-1<br>SM460-M-1A   | motor 3 phase<br>motor 1 phase   |                |
| 2          | 1    | SM450-M-2                 | shaft adaptor  |                |
| 3          | 2    | SM450-M-3                 | stopper  |                |
| 4          | 1    | SM450-M-4                 | pressure valve   |                |
| 5          | 1    | SM450-M-5                 | manifold block   |                |
| 6          | 1    | SM450-M-6                 | seal ring  |                |
| 7          | 4    | SM450-M-7                 | bolt for block   |                |
| 8          | 1    | SM460-M-8<br>SM450-M-8    | pump 3.2cc/rev - 3 phase power pack<br>pump 2.5cc/rev - 1 phase power pack     |                |
| 9          | 2    | SM450-M-9                 | bolt for pump  |                |
| 10         | 1    | SM450-M-10                | suction pipe   |                |
| 11         | 1    | SM450-M-11                | filter   |                |
| 12         | 4    | SM450-M-12                | screw for tank   |                |
| 13         | 1    | SM450-M-13                | oil tank   |                |
| 14         | 1    | SM450-M-14                | oil return pipe  |                |
| 15         | 1    | SM450-M-15                | cushion valve  |                |
| 16         | 1    | SM450-M-16                | throttle valve - Lowering control valve  |                |
| 17         | 4    | SM450-M-17                | solenoid valve set(valve + coil) - 24V   |                |
| 18         | 1    | SM450-M-18                | one-way valve  |                |
|            | 1    | SM460-M-22<br>SM460-M-22A | complete hydraulic power pack 3 phase<br>complete hydraulic power pack 1 phase |                |

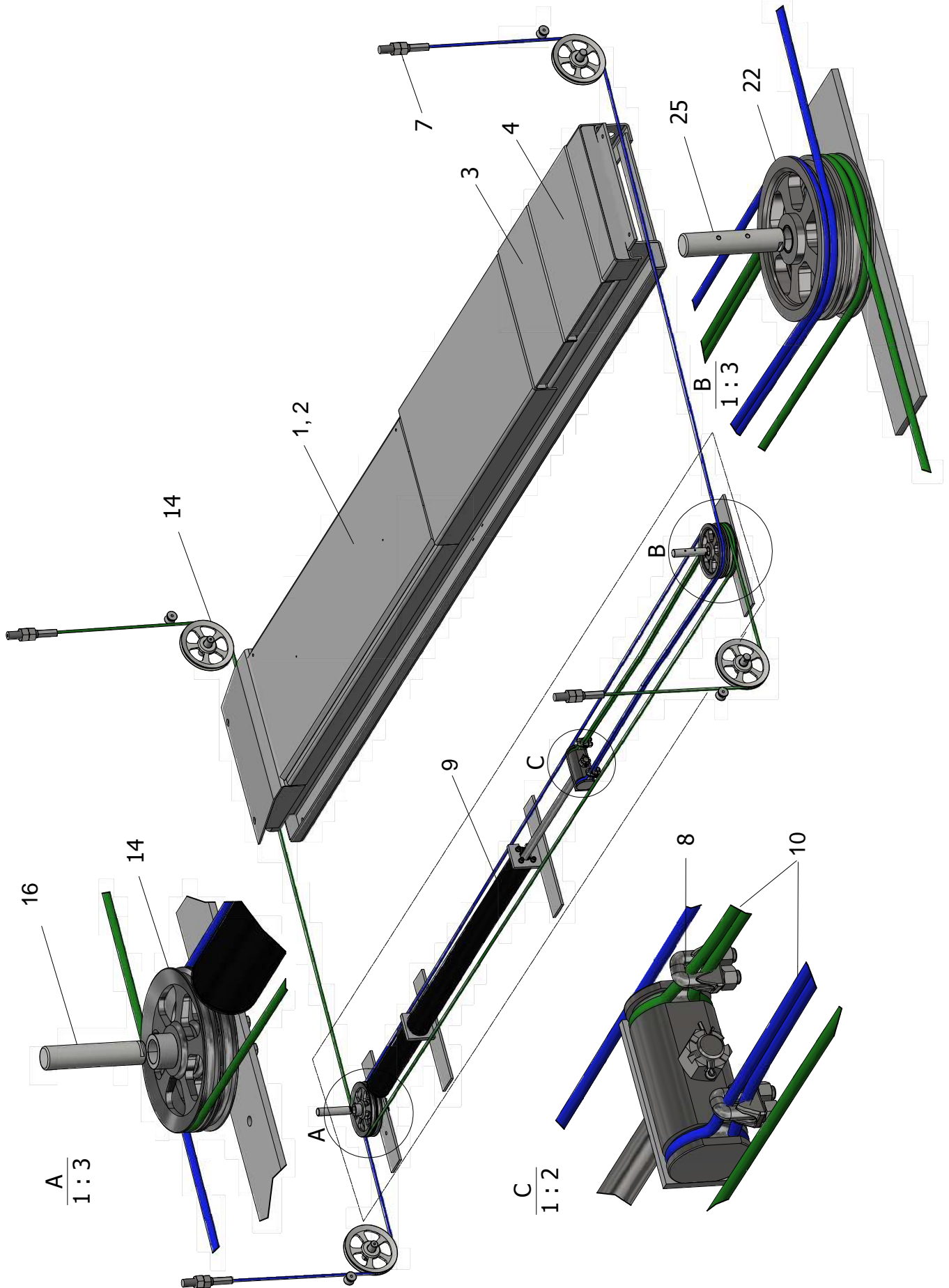
CONTROL UNIT






| SM460        |      | Molnar 4 Post Hoist |                                 | 16/20          |
|--------------|------|---------------------|---------------------------------|----------------|
| CONTROL UNIT |      |                     |                                 |                |
| ITEM         | QTY. | NO.                 | DESIGNATION                     | SPECIFICATIONS |
|              | 1    | SM460-PC-00         | Control Unit complete - 3 phase |                |
|              |      | SM460-PC-00A        | Control Unit complete - 1 phase |                |
| 1            | 1    | SM450-PC-1          | Power lamp                      |                |
| 2            | 1    | SM450-PC-2          | Main switch                     |                |
| 3            | 1    | SM450-PC-3          | Push button up                  |                |
| 4            | 1    | SM450-PC-4          | Push button lock                |                |
| 5            | 1    | SM450-PC-5          | Push button down                |                |
| 6            | 1    | SM450-PC-6          | Fuse holder                     |                |
| 7            | 1    | SM450-PC-7          | PCB                             |                |
| 8/9          | 1+1  | SM450-PC-8          | Contactator                     |                |
| 10           | 1    | SM450-PC-10         | Control box housing             |                |
| 11           | 1    | SM450-PC-11         | Transformer                     |                |
| 12           | 1    | SM450-PC-12         | Transformer housing             |                |

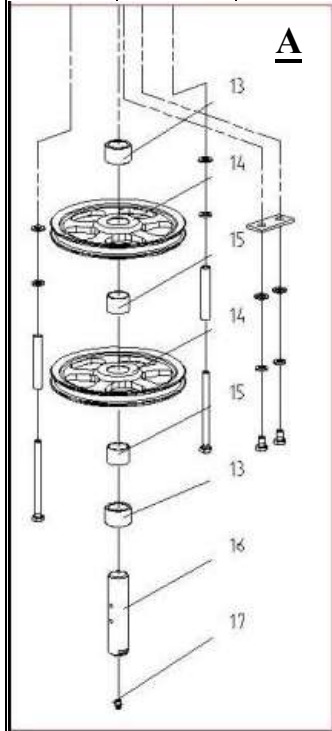


PLATFORM

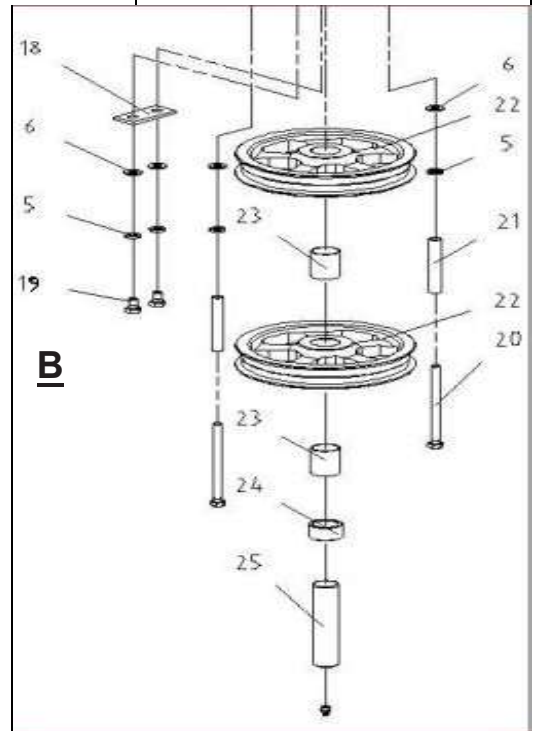


|          |  |  |  |  |
|----------|--|--|--|--|
| PLATFORM |  |  |  |  |
|----------|--|--|--|--|

| ITEM | QTY. | NO.        | DESIGNATION   | SPECIFICATIONS |
|------|------|------------|---|----------------|
| 1    | 2    | SM460-R-1  | side slip plate   | 372mm<br>462mm |
| 2    | 24   | SM450-F10  | roller plate  |                |
| 3    | 2    | SM450-R-3  | filling plate 1   |                |
| 4    | 2    | SM450-R-4  | filling plate 2   |                |
| 5    | 4    | SM450-R-8  | spring washer   |                |
| 6    | 4    | SM450-R-9  | plain washer  |                |
| 7    | 8    | SM450-R-7  | cable nut   |                |
| 8    | 4    | SM450-R-5  | cable grips   |                |
| 9    | 1    | SM460-R-9  | cylinder  |                |
| 10   | 2    | SM460-R-10 | cable   |                |
| 13   | 4    | SM460-R-13 | single groove pulley spacer (platform)  |                |
| 14   | 6    | SM460-R-14 | pulley single groove  |                |
| 15   | 4    | SM460-R-15 | bush - DU bearing   |                |
| 16   | 2    | SM460-R-16 | single groove pulley pin (platform)   |                |
| 17   | 4    | SM450-T-5  | grease nipple   |                |
| 18   | 4    | SM450-R-18 | shaft locking plate   |                |
| 19   | 4    | SM450-R-19 | screw   |                |
| 20   | 4    | SM450-R-20 | retaining bolt  |                |
| 21   | 4    | SM450-R-21 | retaining bolt tube   |                |
| 22   | 2    | SM460-R-22 | pulley Double groove  |                |
| 23   | 4    | SM460-R-23 | bush - DU bearing   |                |
| 24   | 4    | SM460-R-24 | double groove pulley spacer   |                |
| 25   | 2    | SM450-R-25 | double groove pulley pin (platform)   |                |
| 26   | 4    | SM450-R-RB | cable retaining bolt assembly - incl.no.5, 6, 20, 21  |                |
|      |      | SM450-A-1  | Air Line T Piece         |                |
|      |      | SM450-A-2  | Air Line Pump Connector  |                |
|      |      | SM460-A-3  | Air Line                 |                |



**A:** Requires 2x Single Groove Pulleys  
**B:** Requires 2x Double Groove Pulleys



19/20

Molnar 4 Post Hoist

SM460

BLANK

|  |  |  |  |  |
|--|--|--|--|--|
|  |  |  |  |  |
|  |  |  |  |  |

BLANK

|  |  |  |  |  |
|--|--|--|--|--|
|  |  |  |  |  |
|  |  |  |  |  |