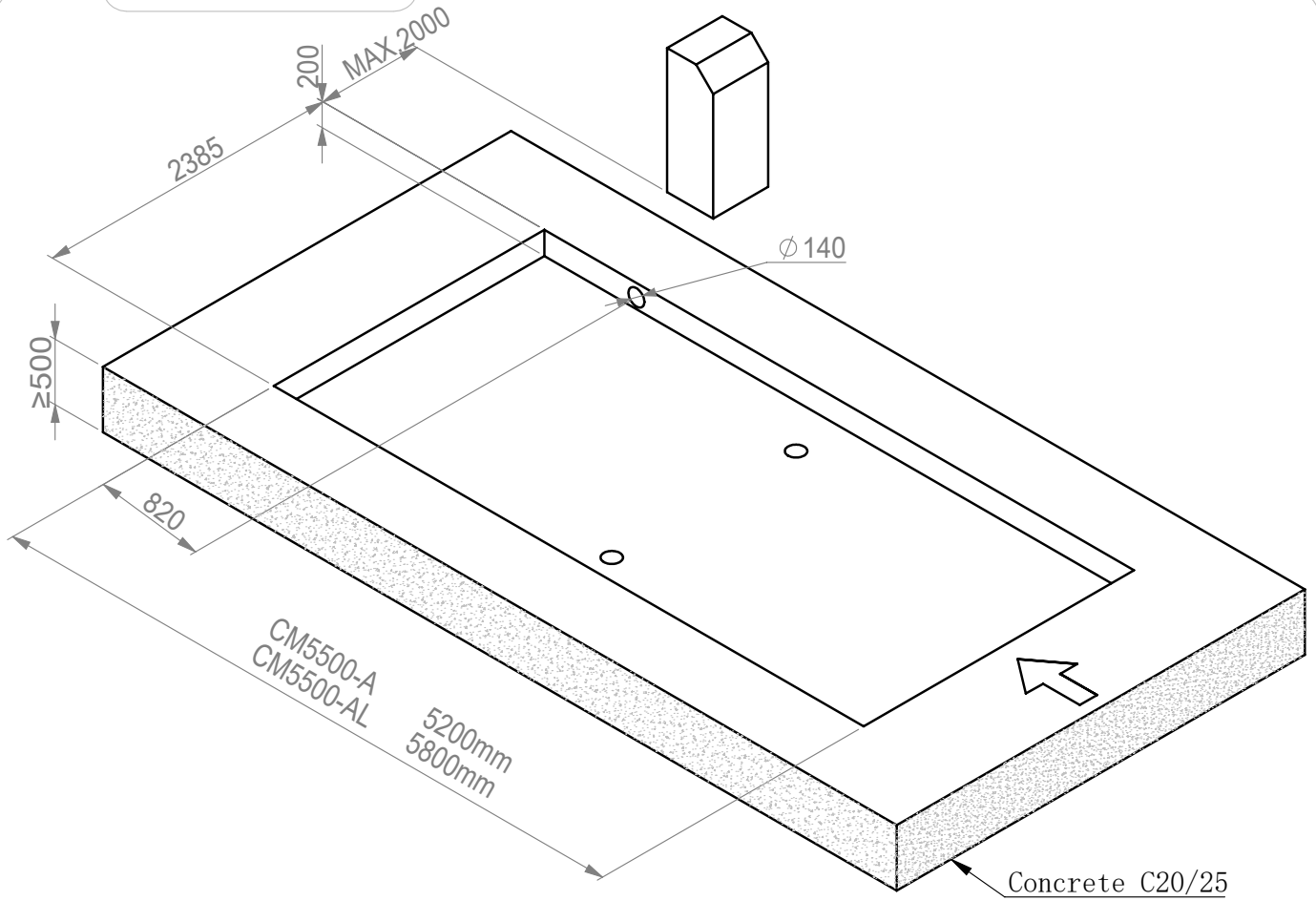
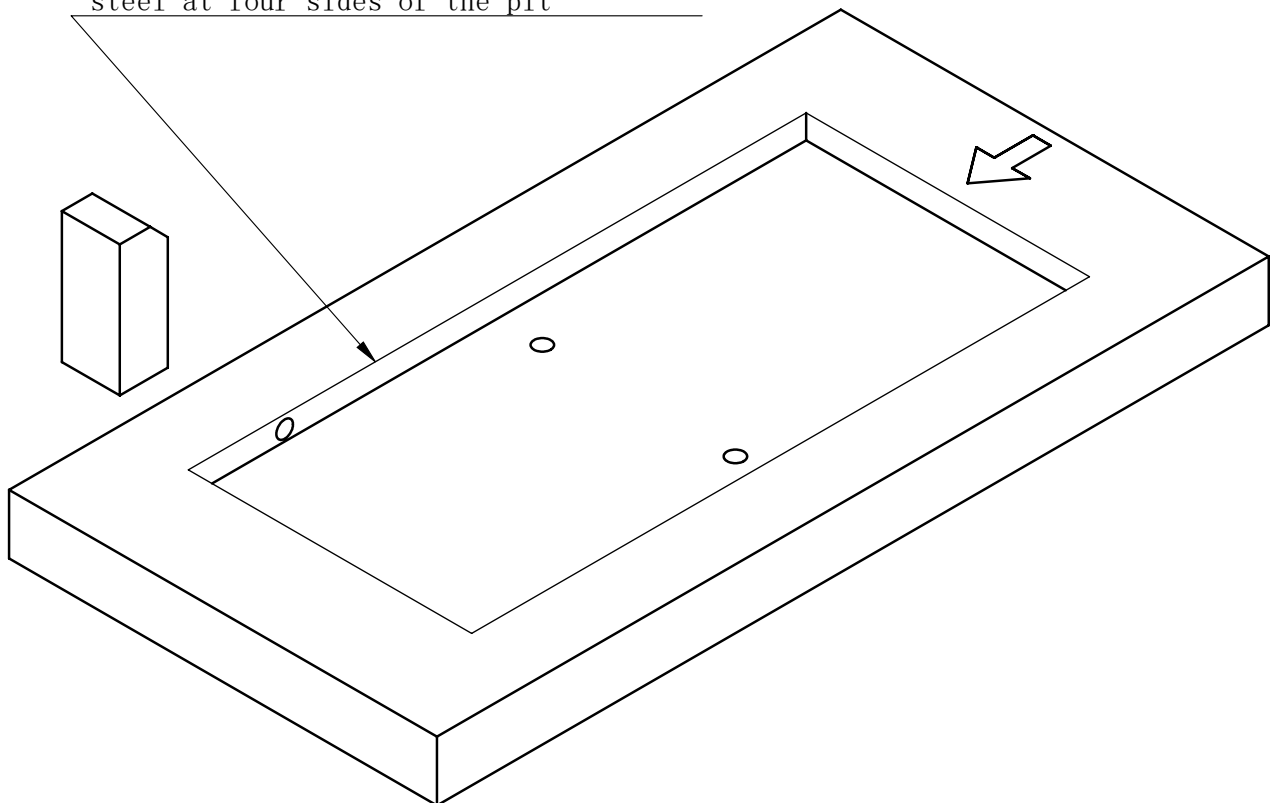


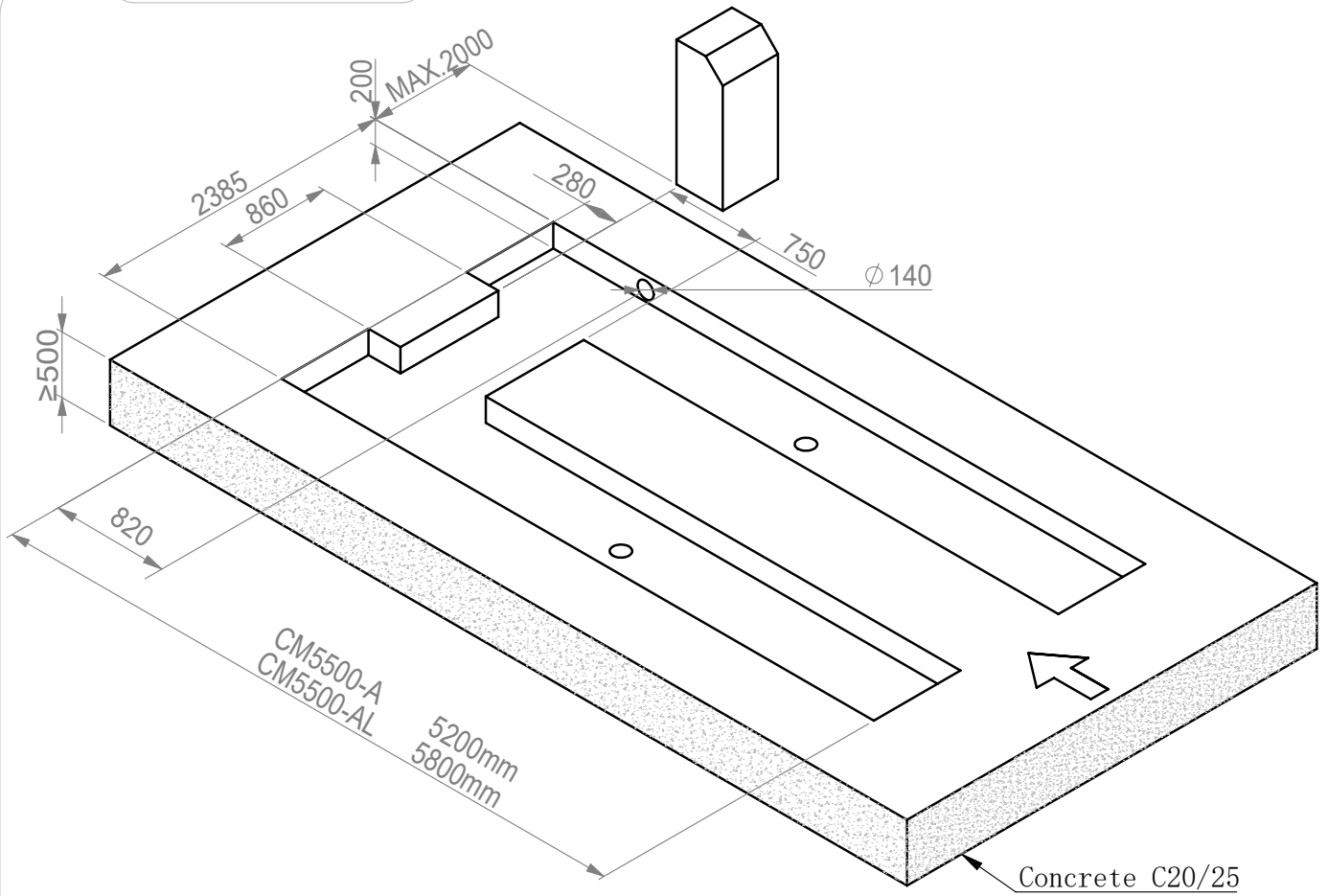
CM5500-A/CM5500-AL



It is recommended to embed 50 × 50 angle steel at four sides of the pit



Parking Spot Drawing



It is recommended to embed 50 × 50 angle steel at four sides of the pit

