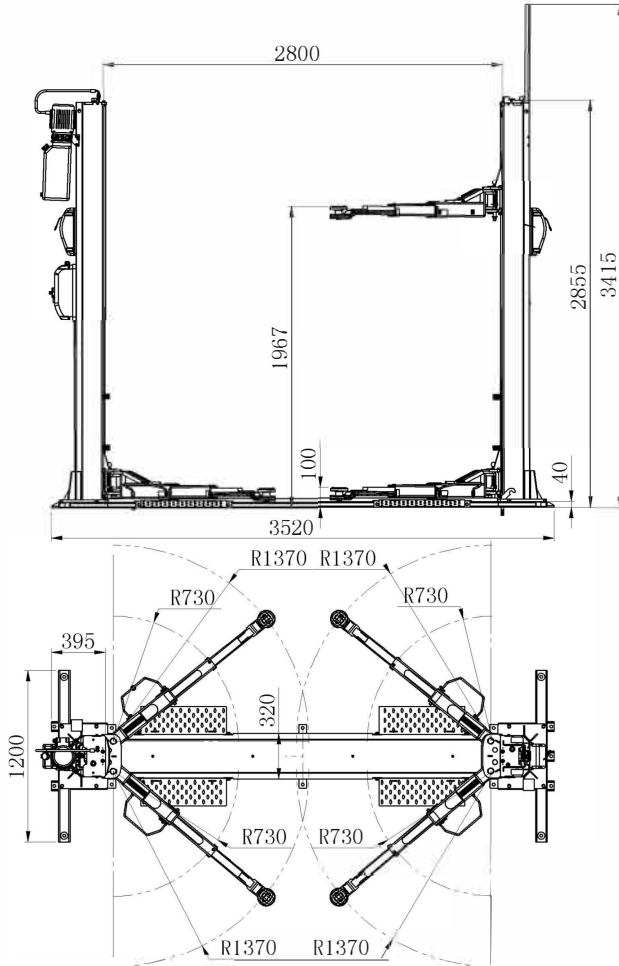


DL240B+ / Two Post Electro-hydraulic Lift H Frame 3 stage arms front and rear!

The Dunlop DL240B+ Two Post Electro-hydraulic Lift features a large 4 tonne lifting capacity and is supplied with a solid H Baseframe. This lift is suitable for cars and vans (excluding LWB). Available in single phase.



TECHNICAL SPECIFICATION

Lifting capacity	4000kg	Electrical Supply	220/240 Volt 20a Isolator (1 Phase)
Lifting time	40 seconds	Packaged Dimensions (CM & KG)	
Minimum height	100mm	Columns	287 (L) x 84 (W) x 51 (H) 821kg
Lifting Height	1967mm	Base Frame	330 (L) x 47 (W) x 16 (H) 100kg
Distance between posts	2800mm	Concrete Depth	120mm 32 Mpa
Overall width of lift	3520mm		
Front arms (3 stage)	730mm - 1370mm		
Rear arms (3 stage)	730mm - 1370mm	Optional Extras	
Warranty	12 months parts & labour*	Pad Extension Kit	80mm + 150mm

