

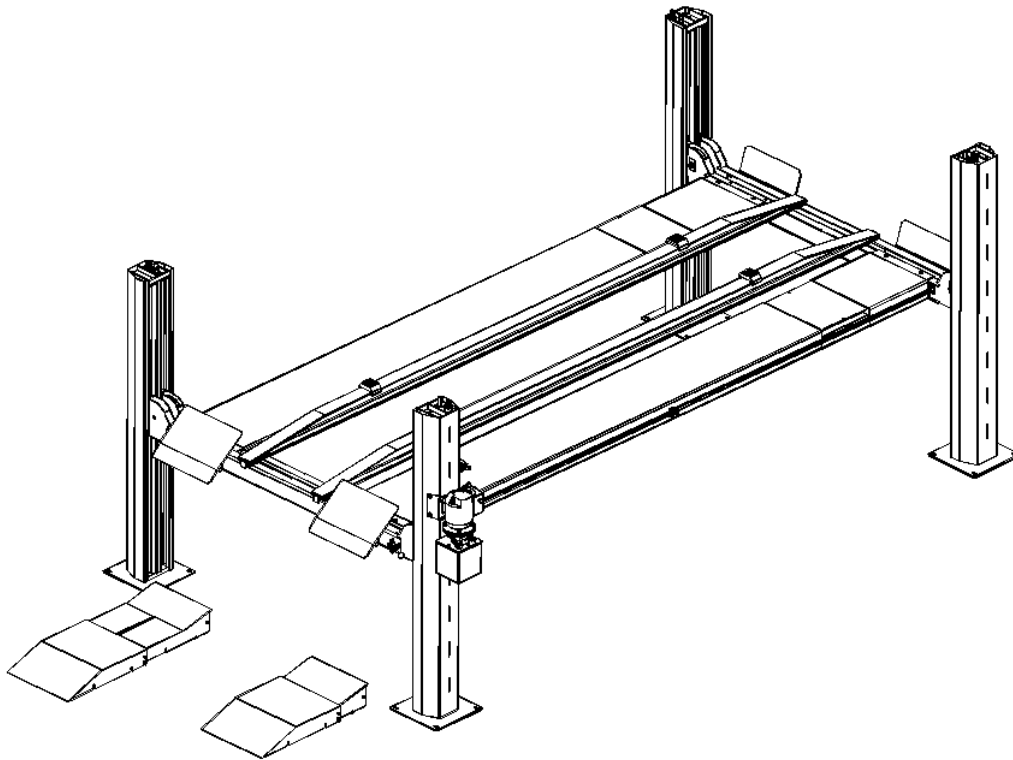


Makers of the famous
TWO-POST AND FOUR-POST
HOISTS & ACCESSORIES

MOLNAR ENGINEERING PTY. LTD.

RAILS WHEELS FREE HOIST

PARTS IDENTIFICATION MANUAL

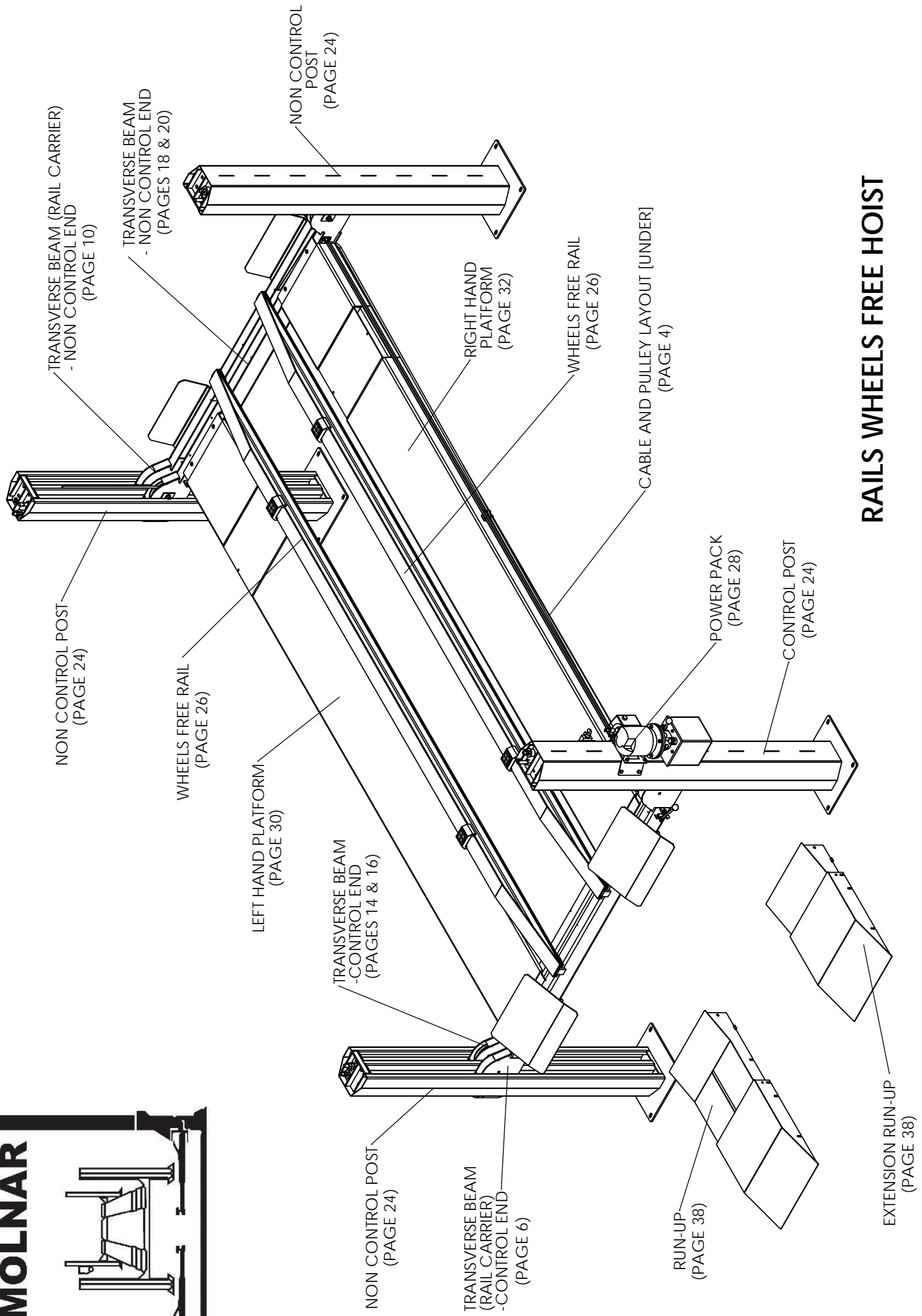
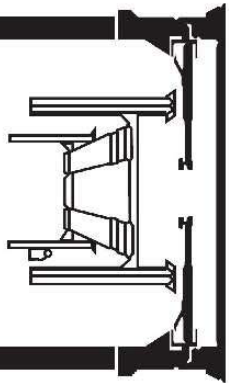


MODELS –

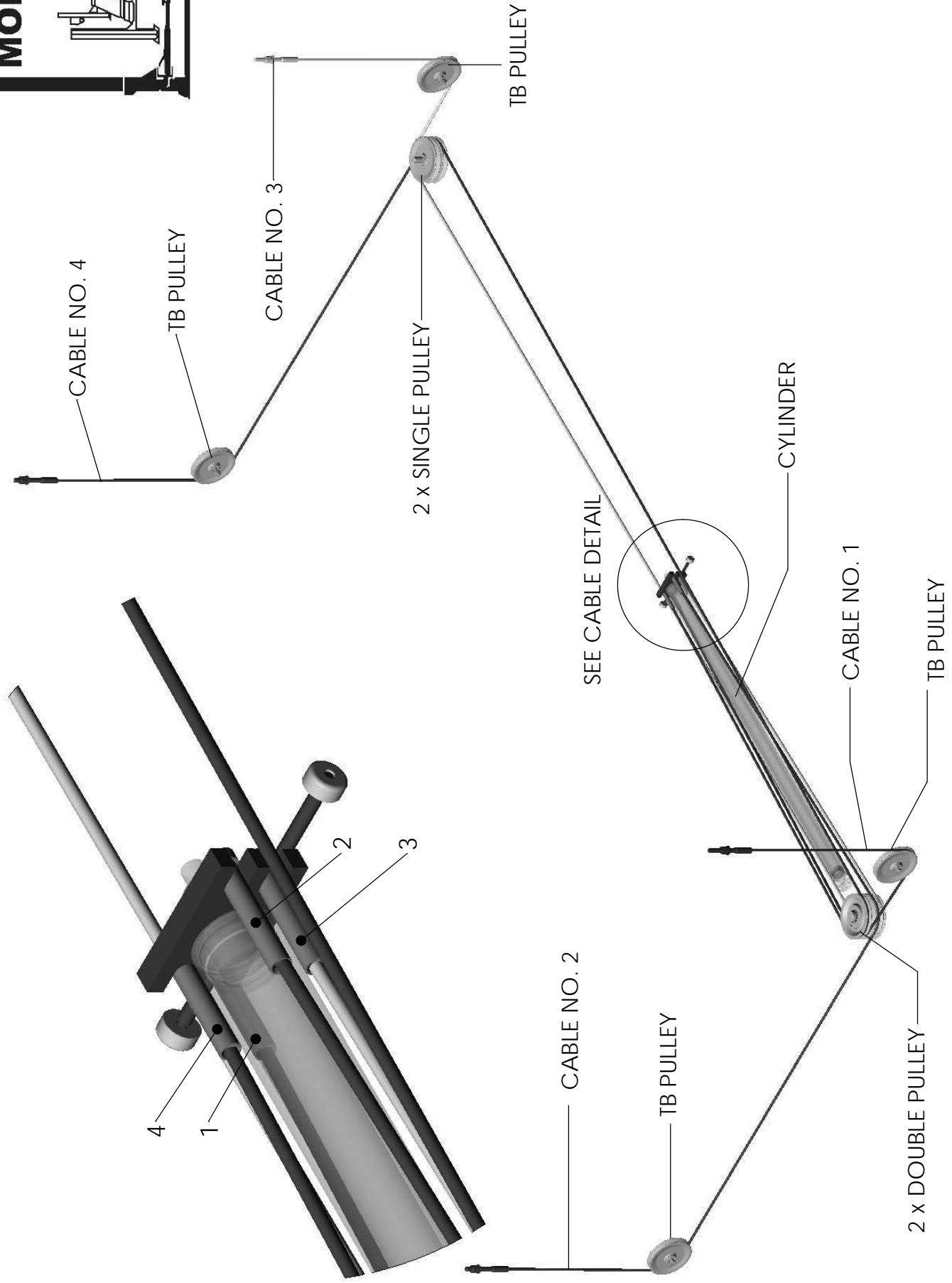
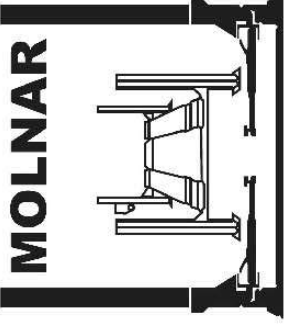
4488 R
4488 RA
4488 WR
4488 WRA

Contents

Home Page.....	3
Cable and Pulley Layout.....	4
Cable Bill of Materials.....	5
Transverse Beam (Rail Carrier) – Control End.....	6
Transverse Beam (Rail Carrier) – Control Bill of Materials.....	7
Auto Stop Assembly.....	8
Auto Stop Assembly Bill of Materials.....	9
Transverse Beam (Rail Carrier) – Non Control End.....	10
Transverse Beam (Rail Carrier) – Non Control End Bill of Materials.....	11
Wheel Stop Assembly.....	12
Wheel Stop Assembly Bill of Materials.....	13
Transverse Beam – Control End Page 1.....	14
Transverse Beam – Control End Bill of Materials 1.....	15
Transverse Beam – Control End Page 2.....	16
Transverse Beam – Control End Bill of Materials 2.....	17
Transverse Beam – Non Control End Page 1.....	18
Transverse Beam – Non Control End Bill of Materials 1.....	19
Transverse Beam - Non Control End Page 2.....	20
Transverse Beam - Non Control End Bill of Materials 2.....	21
Cylinder Assembly.....	22
Cylinder Assembly Bill of Materials.....	23
Post Assembly.....	24
Post Assembly Bill of Materials.....	25
Wheels Free Rails Assembly.....	26
Wheels Free Rails Assembly Bill of Materials.....	27
Power Pack Assembly.....	28
Power Pack Assembly Bill of Materials.....	29
Left Hand Platform.....	30
Left Hand Platform Bill of Materials.....	31
Right Hand Platform.....	32
Right Hand Platform Bill of Materials.....	33
Double Pulley Assembly.....	34
Double Pulley Assembly Bill of Materials.....	35
Single Pulley Assembly.....	36
Single Pulley Assembly Bill of Materials.....	37
Run-Up Assembly.....	38
Run-Up Assembly Bill of Materials.....	39
Stickers Bill of Materials.....	40
Optional Jack Stand.....	41



RAILS WHEELS FREE HOIST



FOUR POST HOIST - CABLE AND PULLEY LAYOUT

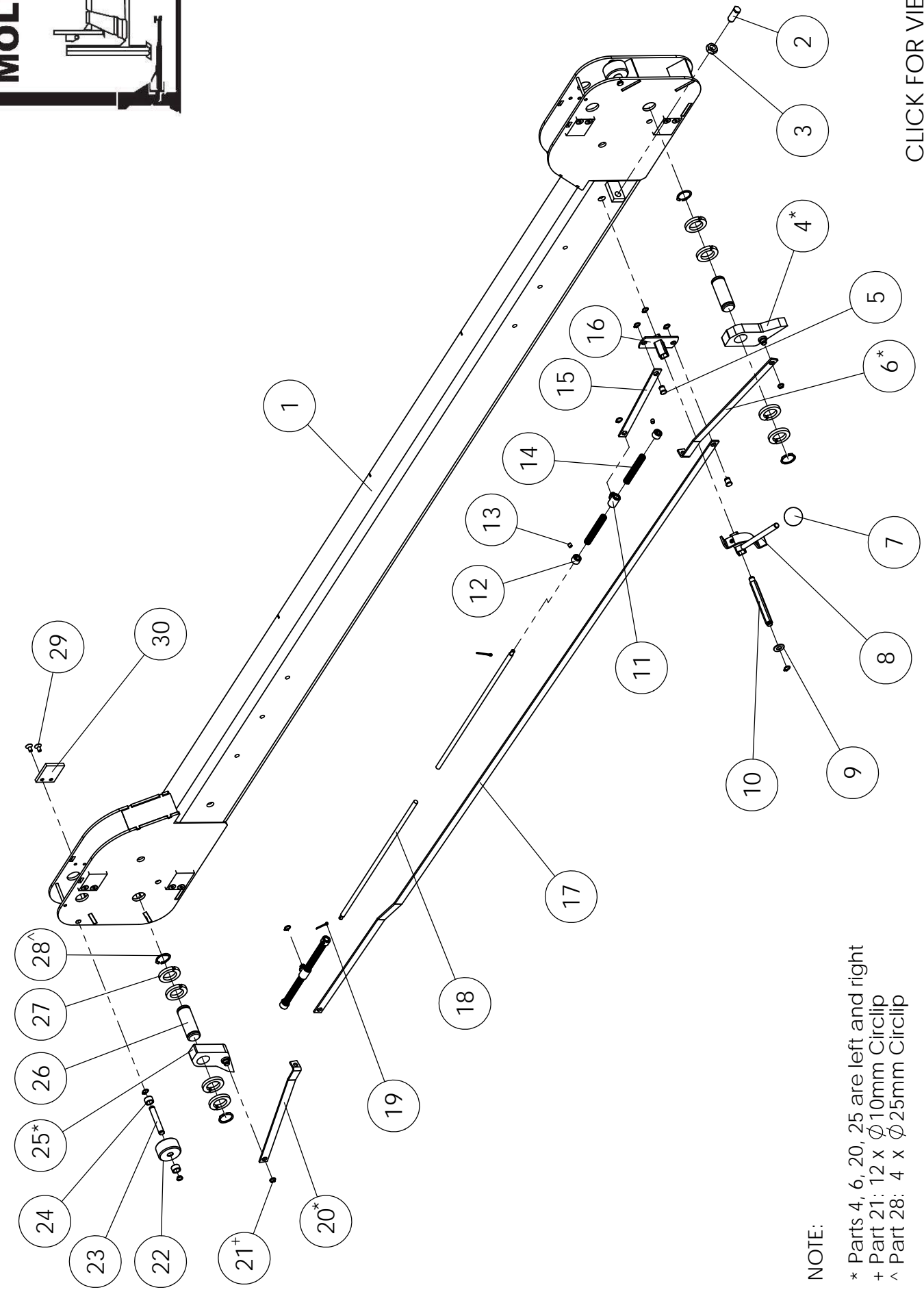
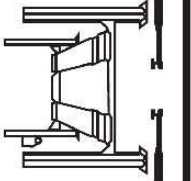
CABLES

MODELS 4488R & 4488WR (2340mm WIDTH BETWEEN POSTS)

ITEM #	PART DESCRIPTION	SPARE PART #
	CABLE (SET OF FOUR)	8045-000-4T
1	CABLE NO.1 (4430mm)	8045-609-4T
2	CABLE NO.2 (5880mm)	8045-610-4T
3	CABLE NO.3 (9060mm)	8045-611-4T
4	CABLE NO.4 (10510mm)	8045-612-4T

MODELS 4488RA & 4488WRA (2700mm WIDTH BETWEEN POSTS)

ITEM #	PART DESCRIPTION	SPARE PART #
	CABLE (SET OF FOUR)	8045-000-4TA
1	CABLE NO.1 (4690mm)	8045-609-4TA
2	CABLE NO.2 (6240mm)	8045-610-4TA
3	CABLE NO.3 (9320mm)	8045-611-4TA
4	CABLE NO.4 (10870mm)	8045-612-4TA



NOTE:

- * Parts 4, 6, 20, 25 are left and right
- + Part 21: 12 x Ø 10mm Circlip
- ^ Part 28: 4 x Ø 25mm Circlip

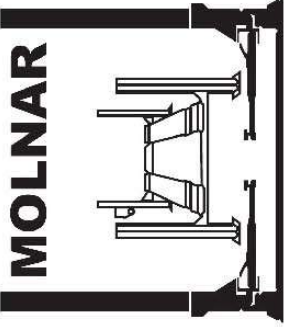
CLICK FOR VIEW 2

TRANSVERSE BEAM (RAIL CARRIER)-CONTROL END

ITEM #	PART DESCRIPTION	SPARE PART #
1	TRANSVERSE BEAM (RAIL CARRIER)-CONTROL END	4488R/WR-TB-R12A
	TRANSVERSE BEAM (RAIL CARRIER)-CONTROL END A SERIES	4488RA/WRA-TB-R12A
2-3	DETENT BALL ASSEMBLY	4488-TB-59
4	PAWL SAFETY MANUAL LOCKING (RIGHT)	4488-TB-46
5	PIN SAFETY	4488-TB-40
6	LINKAGE PAWL (R SIDE STANDARD HOIST 2340mm WIDE)	4488-TB-43
	LINKAGE PAWL (R SIDE A SERIES HOIST 2700mm WIDE)	4488-TB-43A
7	HANDLE GRIP	4488-PP-126B
8	HANDLE LOCKING MECHANISM	4488-TB-287
9	WASHER FLAT M10	4488-DP-71
10	ACTIVATING BRACKET SHAFT	4488R/WR-TB-56
11	COLLAR SLIDING	4488-TB-52
12	COLLAR FIXED	4488-TB-50
13	GRUB SCREW 1/4"WX1/4"	4488-TB-51
14	SPRING PUSH ROD	4488-TB-53
15	LINKAGE SHORT RAIL CARRIER	4488-TB-291
16	ACTIVATING BRACKET RAIL CARRIER	4488-TB-288
17	LINKAGE LONG (STANDARD HOIST 2340mm WIDE)	4488-TB-42
	LINKAGE LONG (A SERIES HOIST 2700mm WIDE)	4488-TB-42A
18	PUSH ROD	4488-TB-48
19	SPLIT PIN M2.5X12mm	4488-TB-49
20	LINKAGE PAWL (L SIDE STANDARD HOIST 2340mm WIDE)	4488-TB-44
	LINKAGE PAWL (L SIDE A SERIES HOIST 2700mm WIDE)	4488-TB-44A
21	CIRCLIP 10mm (12 PER ASSEMBLY)	4488-TB-39
22	ROLLER TRANSVERSE BEAM END	4488-TB-25
23	PIN END ROLLER	4488-TB-24
24	SPACER END ROLLER	4488-TB-23
25	PAWL SAFETY MANUAL LOCKING (LEFT)	4488-TB-47
26	PIN SAFETY PAWL MANUAL	4488-TB-32
27	SPACER SAFETY PAWL MANUAL	4488-TB-45
28	CIRCLIP 25mm (4 PER ASSEMBLY)	4488-TB-31
29	BOLT WEAR PAD COUNTERSUNK M6X12mm	4488-R/WR-TB-27
30	WEAR PAD (TRANSVERSE BEAM)	4488-R/WR-TB-26

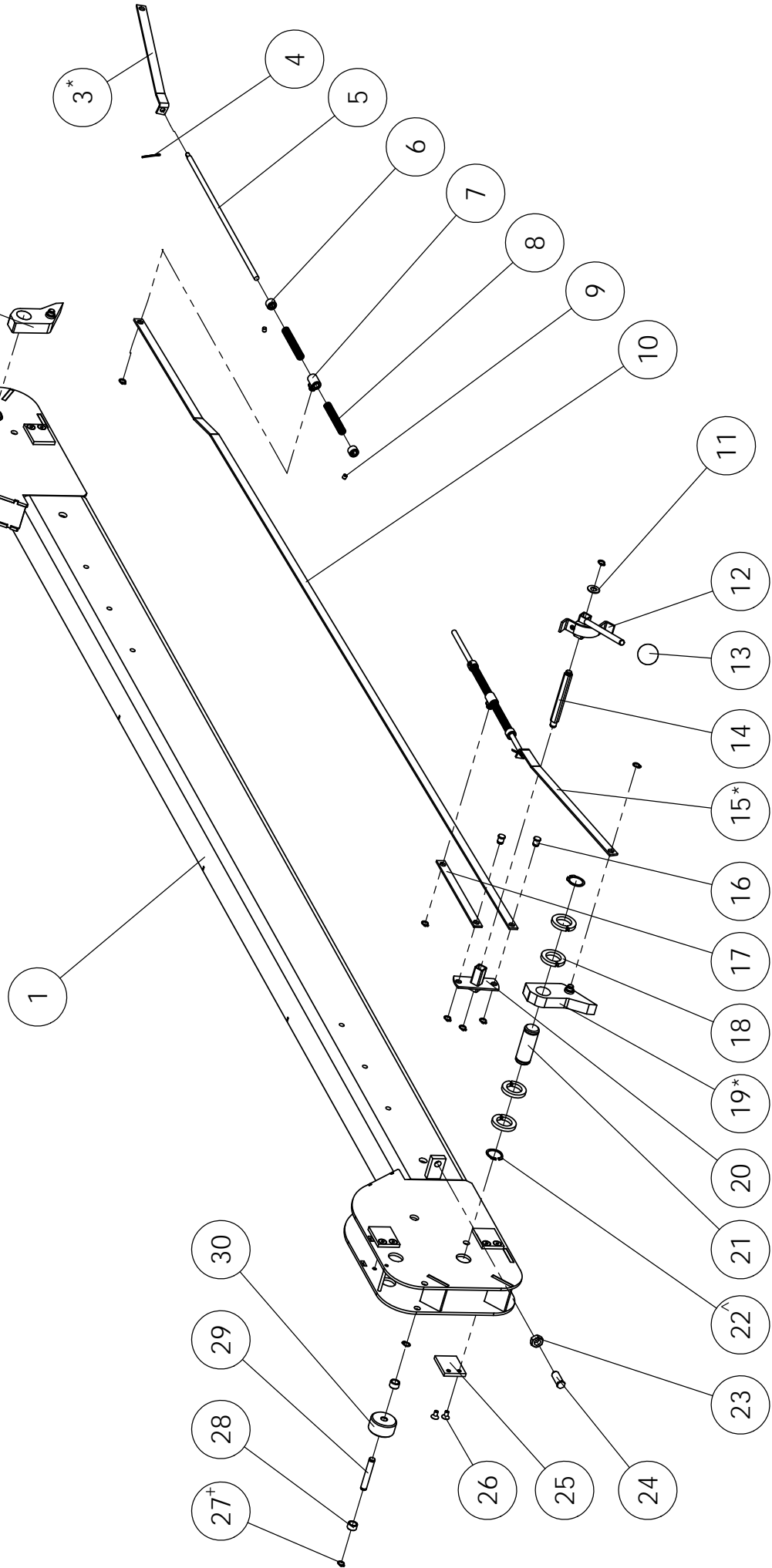
AUTO STOP ASSEMBLY

ITEM #	PART DESCRIPTION	SPARE PART #
1	BRACKET MOUNTING AUTOMATIC WHEEL STOP	4488R-TB-253
2	BOLT MOUNTING HIGH TENSILE M10X16mm	4488-TB-296
3	TOP PLATE AUTOMATIC WHEEL STOP	4488R-TB-252
4	CIRCLIP 12mm	4488-TB-294
5	SPRING AUTOMATIC WHEEL STOP	4488R-TB-255
6	PIVOT SHAFT AUTOMATIC WHEEL STOP	4488R-TB-254
	AUTO STOP ASSEMBLY (EACH) (INCL. ITEMS # 31 MOUNTING BRACKET (x1), # 32 BOLTS (x3), # 33 TOP PLATE (x1), # 34 CIRCLIP 12mm (x2), # 35 SPRING (x1), # 36 PIVOT SHAFT (x1))	4488-WR-R65



NOTE:

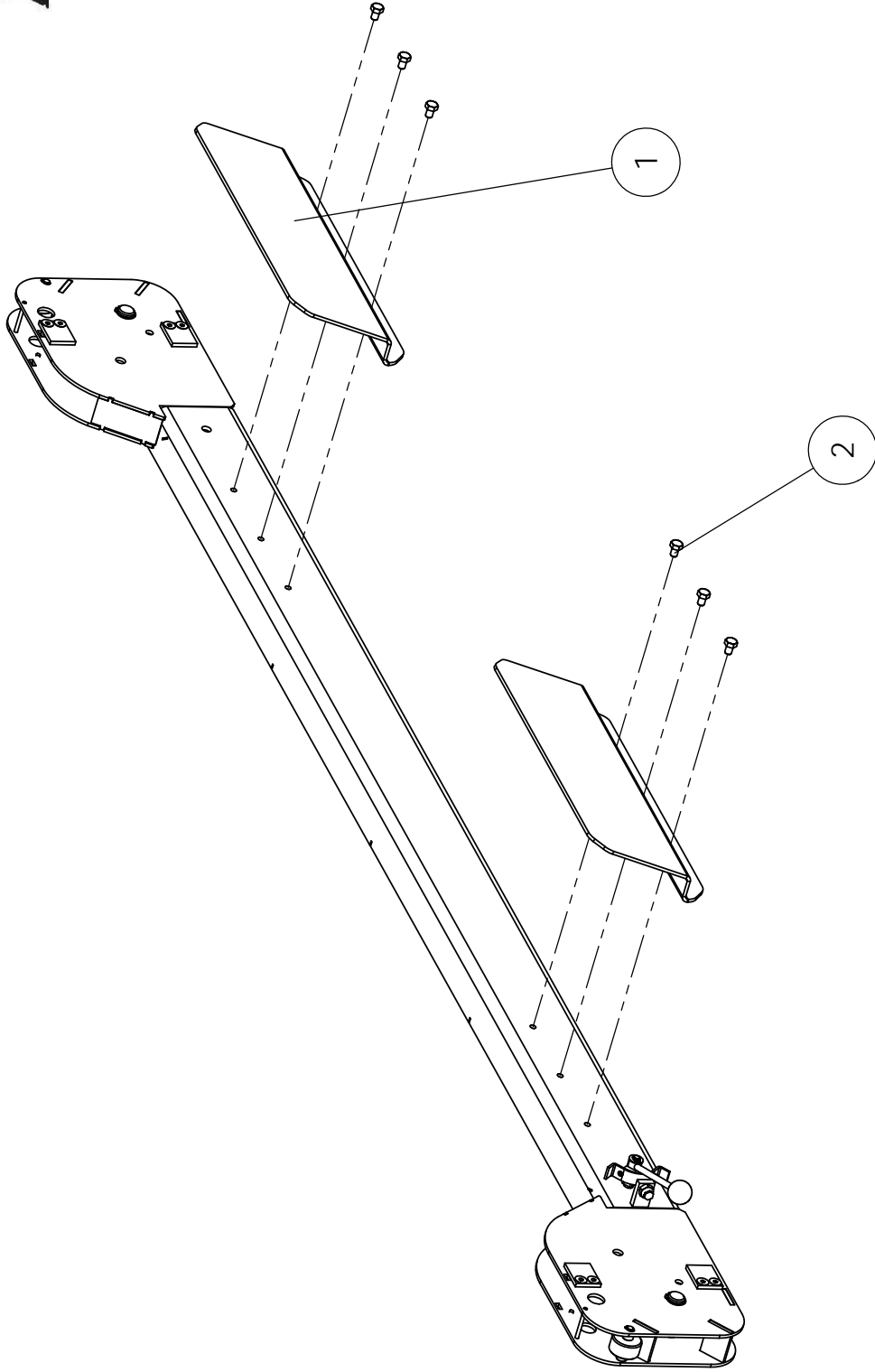
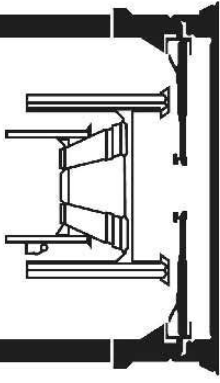
- * Parts 2, 3, 15, 19 are left and right
- + Part 27: 12 x Ø 10mm Circlip
- ^ Part 22: 4 x Ø 25mm Circlip



TRANSVERSE BEAM (RAIL CARRIER)-NON CONTROL END

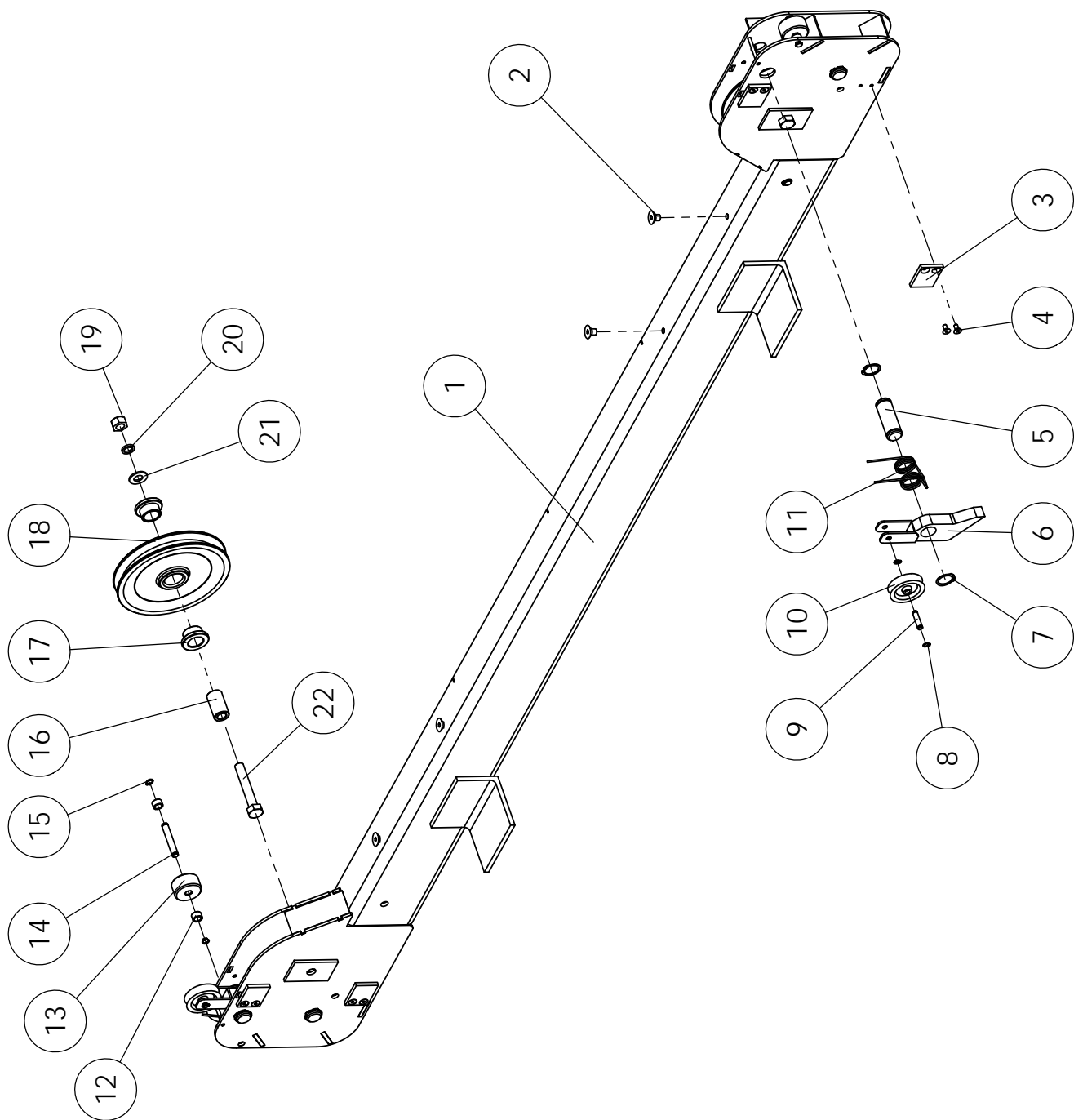
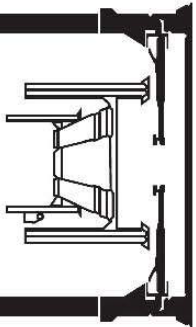
TRANSVERSE BEAM (RAIL CARRIER)-NON CONTROL END

ITEM #	PART DESCRIPTION	SPARE PART #
1	TRANSVERSE BEAM (RAIL CARRIER)-NON CONTROL END	4488R/WR-TB-R12B
	TRANSVERSE BEAM (RAIL CARRIER)-NON CONTROL END A SERIES	4488RA/WRA-TB-R12B
2	PAWL SAFETY MANUAL LOCKING (RIGHT)	4488-TB-46
3	LINKAGE PAWL (R SIDE STANDARD HOIST 2340mm WIDE)	4488-TB-43
	LINKAGE PAWL (R SIDE A SERIES HOIST 2700mm WIDE)	4488-TB-43A
4	SPLIT PIN M2.5X12mm	4488-TB-49
5	PUSH ROD	4488-TB-48
6	COLLAR FIXED	4488-TB-50
7	COLLAR SLIDING	4488-TB-52
8	SPRING PUSH ROD	4488-TB-53
9	GRUB SCREW 1/4"WX1/4"	4488-TB-51
10	LINKAGE LONG (STANDARD HOIST 2340mm WIDE)	4488-TB-42
	LINKAGE LONG (A SERIES HOIST 2700mm WIDE)	4488-TB-42A
11	WASHER FLAT M10	4488-DP-71
12	HANDLE LOCKING MECHANISM	4488-TB-287
13	HANDLE GRIP	4488-PP-126B
14	ACTIVATING BRACKET SHAFT	4488R/WR-TB-56
15	LINKAGE PAWL (L SIDE STANDARD HOIST 2340mm WIDE)	4488-TB-44
	LINKAGE PAWL (L SIDE A SERIES HOIST 2700mm WIDE)	4488-TB-44A
16	PIN SAFETY	4488-TB-40
17	LINKAGE SHORT RAIL CARRIER	4488-TB-291
18	SPACER SAFETY PAWL MANUAL	4488-TB-45
19	PAWL SAFETY MANUAL LOCKING (LEFT)	4488-TB-47
20	ACTIVATING BRACKET RAIL CARRIER	4488-TB-288
21	PIN SAFETY PAWL MANUAL	4488-TB-32
22	CIRCLIP 25mm (4 PER ASSEMBLY)	4488-TB-31
23-24	DETENT BALL ASSEMBLY	4488-TB-59
25	WEAR PAD (TRANSVERSE BEAM)	4488-R/WR-TB-26
26	BOLT WEAR PAD COUNTERSUNK M6X12mm	4488-R/WR-TB-27
27	CIRCLIP 10mm (12 PER ASSEMBLY)	4488-TB-39
28	SPACER END ROLLER	4488-TB-23
29	PIN END ROLLER	4488-TB-24
30	ROLLER TRANSVERSE BEAM END	4488-TB-25



WHEEL STOP ASSEMBLY

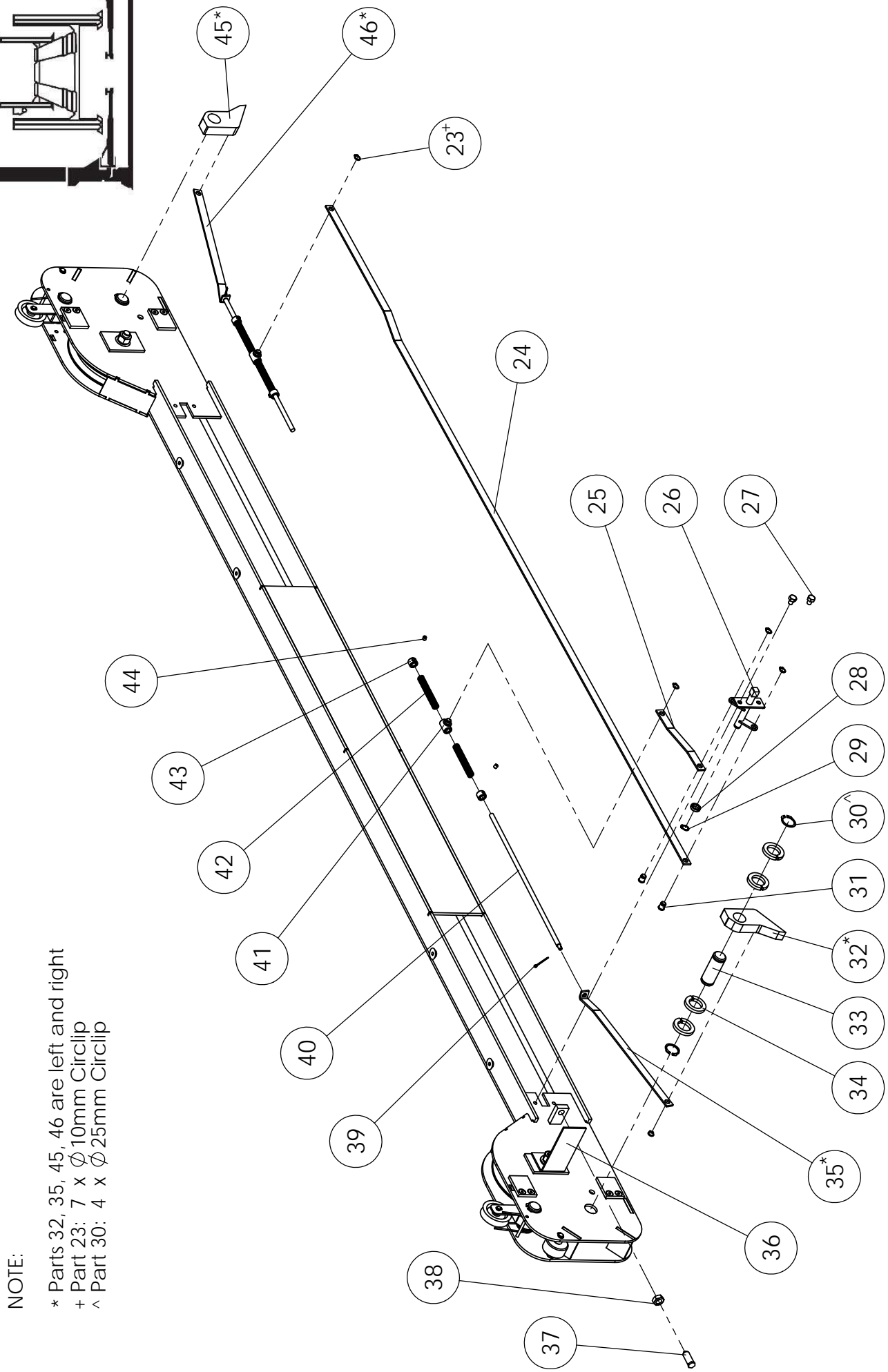
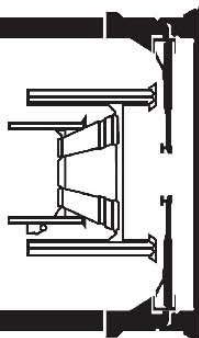
ITEM #	PART DESCRIPTION	SPARE PART #
1	WHEEL STOP	4488-WR-R65
2	BOLT MOUNTING HIGH TENSILE M10X16mm	4488-TB-296



TRANSVERSE BEAM-CONTROL END

TRANSVERSE BEAM-CONTROL END

ITEM #	PART DESCRIPTION	SPARE PART #
1	TRANSVERSE BEAM-CONTROL END	4488R/WR-TB-12A
	TRANSVERSE BEAM-CONTROL END A SERIES	4488RA/WRA-TB-12A
2	SCREW COUNTERSUNK HIGH TENSILE M10X16mm	4488-TB-38
3	WEAR PAD (TRANSVERSE BEAM)	4488-R/WR-TB-26
4	BOLT WEAR PAD COUNTERSUNK M6X12mm	4488-R/WR-TB-27
5	PIN SAFETY PAWL MANUAL	4488-TB-32
6	PAWL SAFETY AUTOMATIC	4488-TB-34
7	CIRCLIP 25mm (4 PER ASSEMBLY)	4488-TB-31
8	CIRCLIP 8mm (2 PER ASSEMBLY)	4488-TB-35
9	PIN PULLEY SAFETY PAWL AUTOMATIC	4488-TB-36
10	PULLEY AUTOMATIC SAFETY PAWL (NYLON)	4488-TB-37
11	SPRING SAFETY PAWL	4488-TB-33
12	SPACER END ROLLER	4488-TB-23
13	ROLLER TRANSVERSE BEAM END	4488-TB-25
14	PIN END ROLLER	4488-TB-24
15	CIRCLIP 10mm (12 PER ASSEMBLY)	4488-TB-22
16	BUSH STEEL PULLEY	4488-TB-16
17	BUSH TRANSVERSE BEAM (2 PER PULLEY)	4488-TB-17
18	PULLEY TRANSVERSE BEAM (INCLUDES BUSHES)	4488-TB-18
19	NUT 9/16" UNF	4488-TB-21
20	WASHER SPRING 9/16"	4488-TB-20
21	WASHER FLAT 9/16"	4488-TB-19
22	BOLT HIGH TENSILE 9/16"X3 1/2" UNF	4488-TB-15

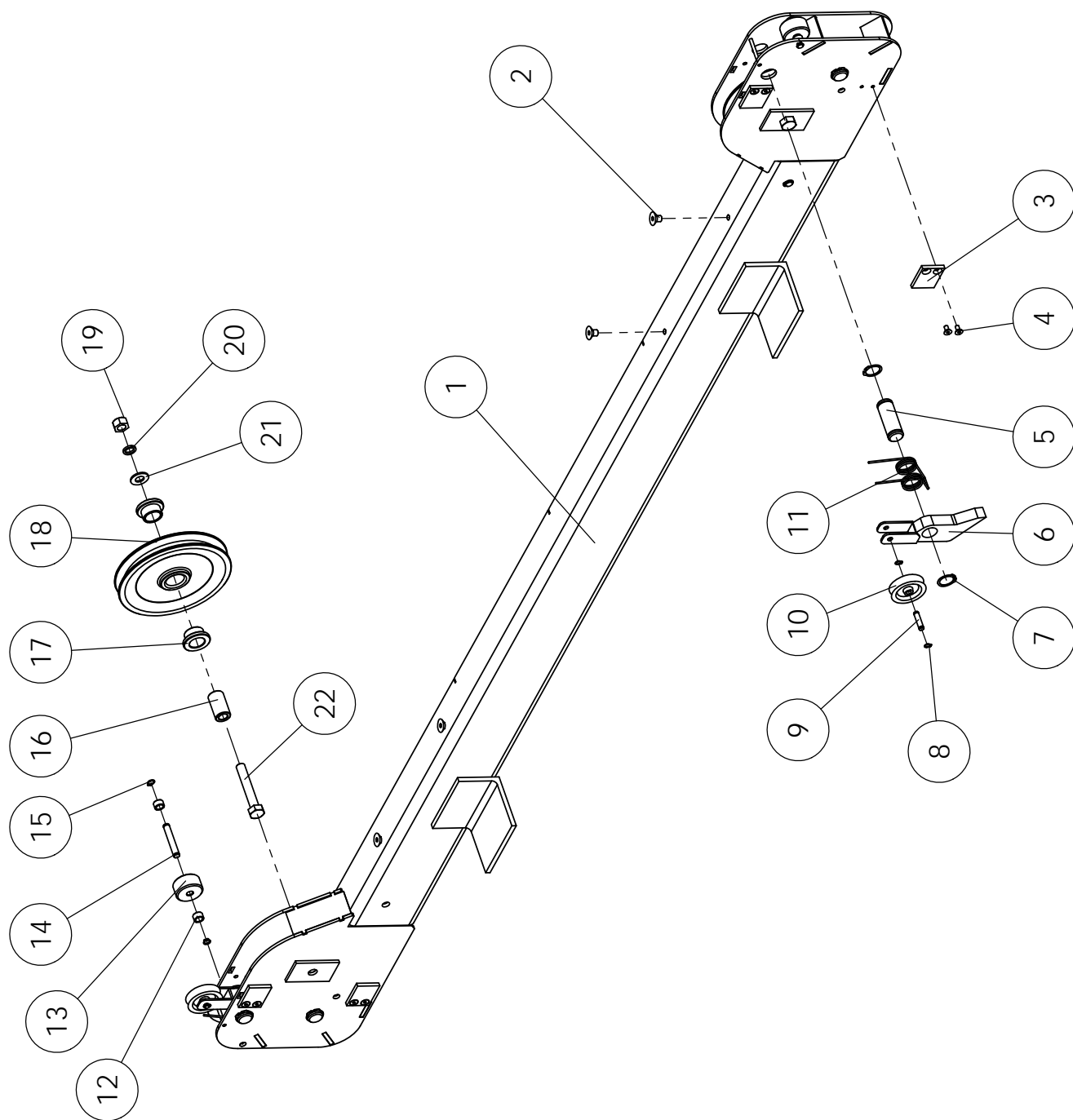
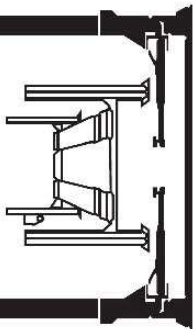


NOTE:

- * Parts 32, 35, 45, 46 are left and right
- + Part 23: 7 x Ø 10mm Circlip
- ^ Part 30: 4 x Ø 25mm Circlip

TRANSVERSE BEAM-CONTROL END

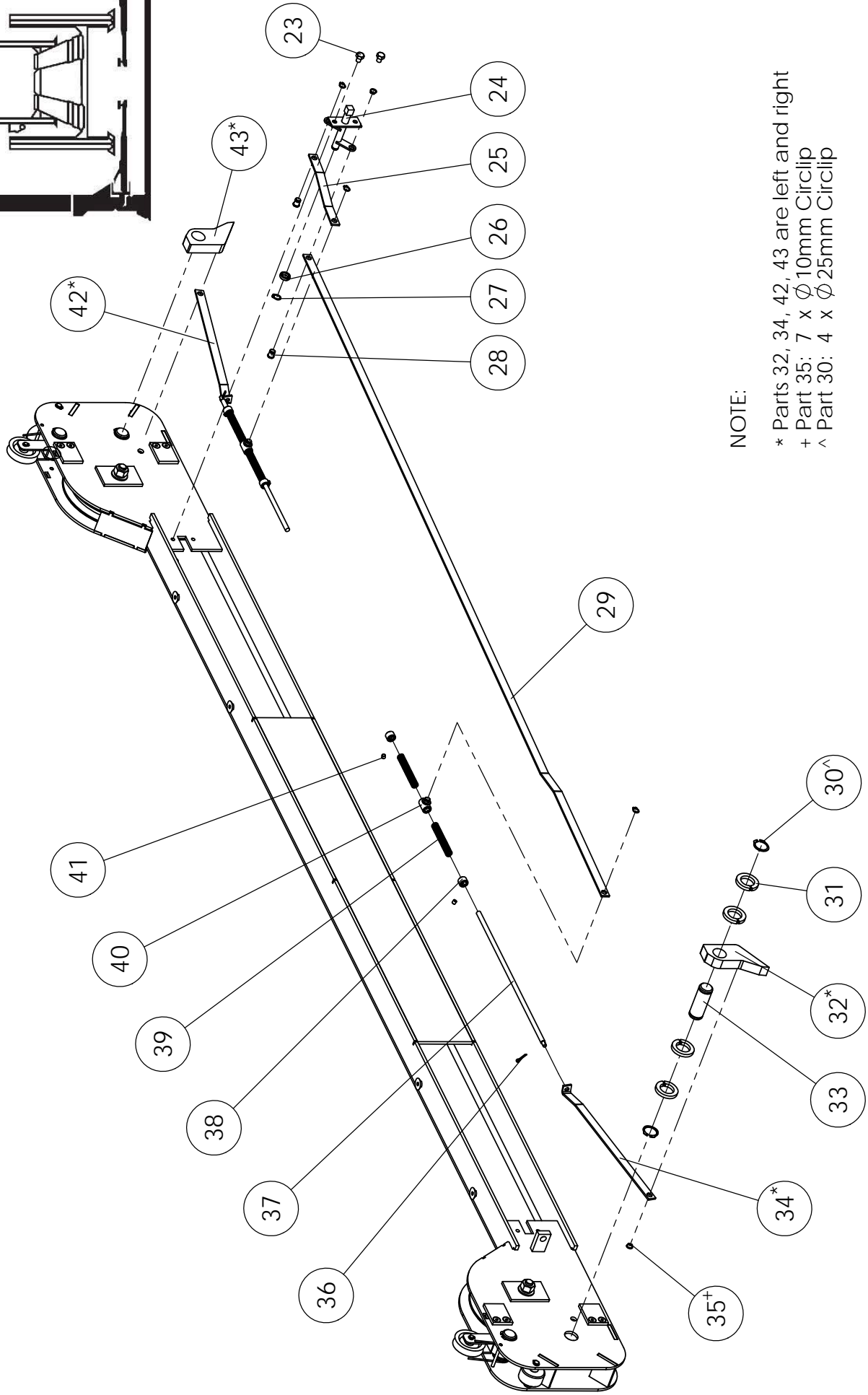
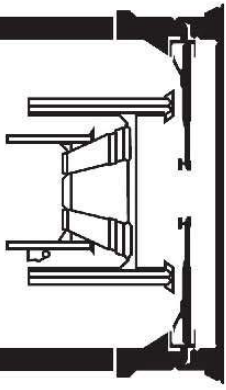
ITEM #	PART DESCRIPTION	SPARE PART #
23	CIRCLIP 10mm (12 PER ASSEMBLY)	4488-TB-22
24	LINKAGE LONG (STANDARD HOIST 2340mm WIDE)	4488-TB-42
	LINKAGE LONG (A SERIES HOIST 2700mm WIDE)	4488-TB-42A
25	LINKAGE SHORT TRANSVERSE BEAM	4488-TB-41
26	ACTIVATING BRACKET TRANSVERSE BEAM	4488-TB-55
27	BOLT 5/16"X1/2" WHITWORTH	4488-TB-56
28	SPACER ACTIVATING BRACKET	4488-TB-57
29	CIRCLIP 12mm	4488-TB-39
30	CIRCLIP 25mm (4 PER ASSEMBLY)	4488-TB-31
31	PIN SAFETY	4488-TB-40
32	PAWL SAFETY MANUAL LOCKING (RIGHT)	4488-TB-46
33	PIN SAFETY PAWL MANUAL	4488-TB-32
34	SPACER SAFETY PAWL MANUAL	4488-TB-45
35	LINKAGE PAWL (R SIDE STANDARD HOIST 2340mm WIDE)	4488-TB-43
	LINKAGE PAWL (R SIDE A SERIES HOIST 2700mm WIDE)	4488-TB-43A
36	LIMIT SWITCH ACTIVATOR	4488-TB-58
37-38	DETENT BALL ASSEMBLY	4488-TB-59
39	SPLIT PIN M2.5X12mm	4488-TB-49
40	PUSH ROD	4488-TB-48
41	COLLAR SLIDING	4488-TB-52
42	SPRING PUSH ROD	4488-TB-53
43	COLLAR FIXED	4488-TB-50
44	GRUB SCREW 1/4"WX1/4"	4488-TB-51
45	PAWL SAFETY MANUAL LOCKING (LEFT)	4488-TB-47
46	LINKAGE PAWL (L SIDE STANDARD HOIST 2340mm WIDE)	4488-TB-44
	LINKAGE PAWL (L SIDE A SERIES HOIST 2700mm WIDE)	4488-TB-44A



TRANSVERSE BEAM-NON CONTROL END

TRANSVERSE BEAM-NON CONTROL END

ITEM #	PART DESCRIPTION	SPARE PART #
1	TRANSVERSE BEAM-NON CONTROL END	4488R/WR-TB-12B
	TRANSVERSE BEAM-NON CONTROL END A SERIES	4488RA/WRA-TB-12B
2	SCREW COUNTERSUNK HIGH TENSILE M10X16mm	4488-TB-38
3	WEAR PAD (TRANSVERSE BEAM)	4488-R/WR-TB-26
4	BOLT WEAR PAD COUNTERSUNK M6X12mm	4488-R/WR-TB-27
5	PIN SAFETY PAWL MANUAL	4488-TB-32
6	PAWL SAFETY AUTOMATIC	4488-TB-34
7	CIRCLIP 25mm (4 PER ASSEMBLY)	4488-TB-31
8	CIRCLIP 8mm (2 PER ASSEMBLY)	4488-TB-35
9	PIN PULLEY SAFETY PAWL AUTOMATIC	4488-TB-36
10	PULLEY SAFETY PAWL AUTOMATIC (NYLON)	4488-TB-37
11	SPRING SAFETY PAWL	4488-TB-33
12	SPACER END ROLLER	4488-TB-23
13	ROLLER TRANSVERSE BEAM END	4488-TB-25
14	PIN END ROLLER	4488-TB-24
15	CIRCLIP 10mm (12 PER ASSEMBLY)	4488-TB-22
16	BUSH STEEL PULLEY	4488-TB-16
17	BUSH TRANSVERSE BEAM (2 PER PULLEY)	4488-TB-17
18	PULLEY TRANSVERSE BEAM (INCLUDES BUSHES)	4488-TB-18
19	NUT 9/16" UNF	4488-TB-21
20	WASHER SPRING 9/16"	4488-TB-20
21	WASHER FLAT 9/16"	4488-TB-19
22	BOLT HIGH TENSILE 9/16"X3 1/2" UNF	4488-TB-15

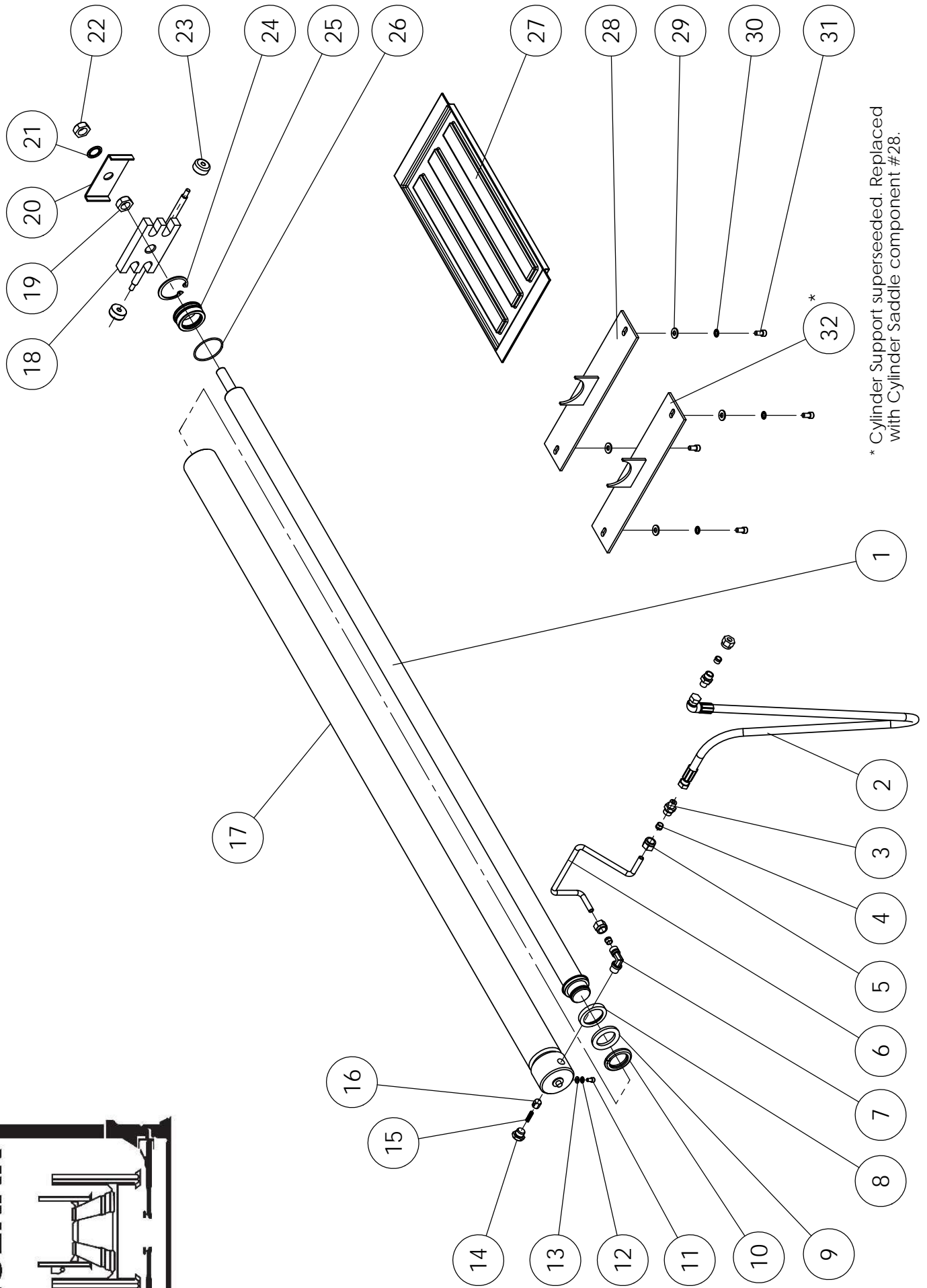
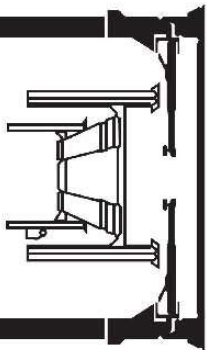


NOTE:

- * Parts 32, 34, 42, 43 are left and right
- + Part 35: 7 x Ø 10mm Circlip
- ^ Part 30: 4 x Ø 25mm Circlip

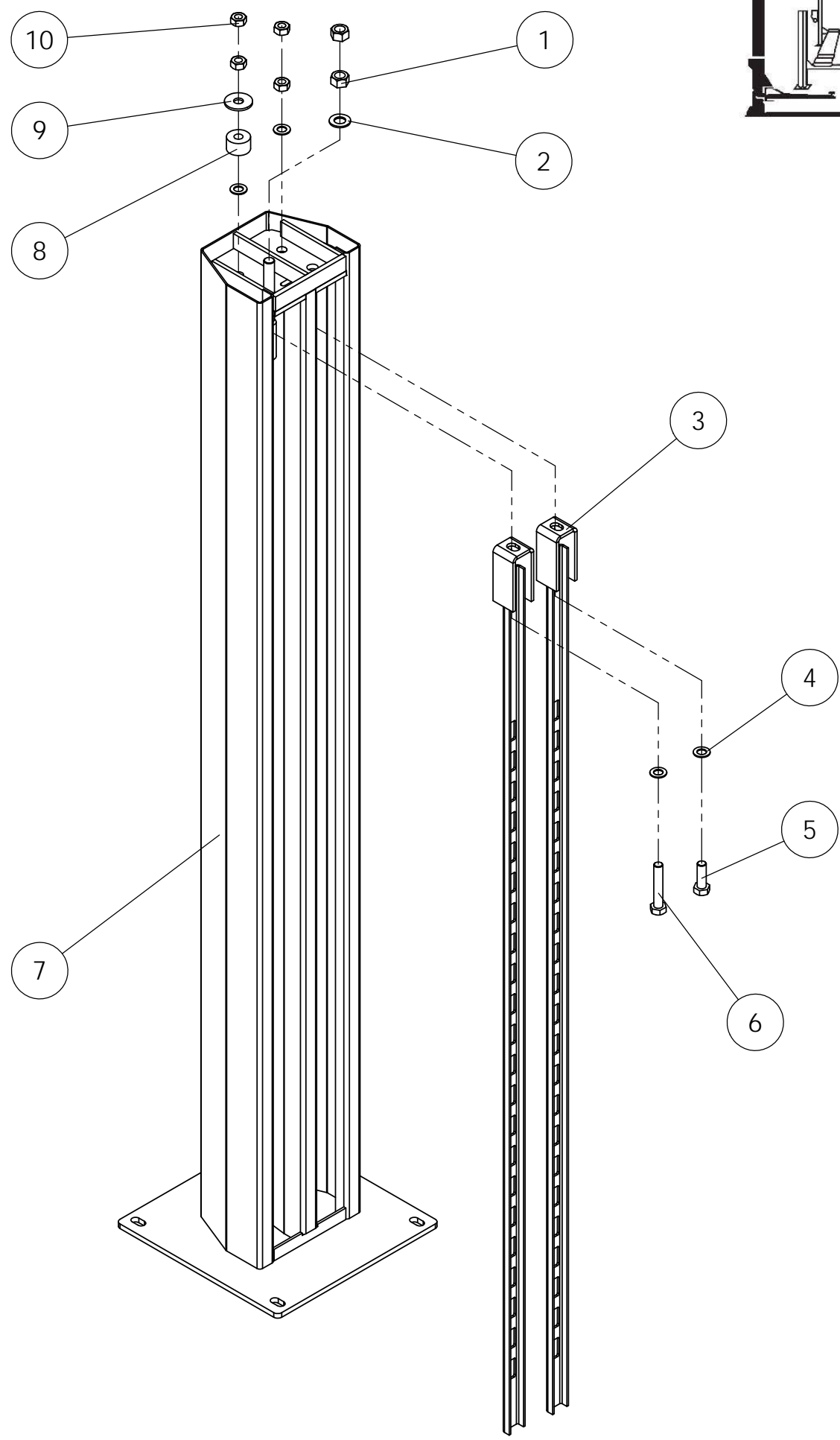
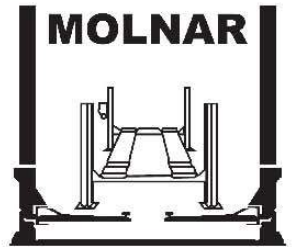
TRANSVERSE BEAM-NON CONTROL END

ITEM #	PART DESCRIPTION	SPARE PART #
23	BOLT 5/16"X1/2" WHITWORTH	4488-TB-56
24	ACTIVATING BRACKET TRANSVERSE BEAM	4488-TB-55
25	LINKAGE SHORT TRANSVERSE BEAM	4488-TB-41
26	SPACER ACTIVATING BRACKET	4488-TB-57
27	CIRCLIP 12mm	4488-TB-39
28	PIN SAFETY	4488-TB-40
29	LINKAGE LONG (STANDARD HOIST 2340mm WIDE)	4488-TB-42
	LINKAGE LONG (A SERIES HOIST 2700mm WIDE)	4488-TB-42A
30	CIRCLIP 25mm (4 PER ASSEMBLY)	4488-TB-31
31	SPACER SAFETY PAWL MANUAL	4488-TB-45
32	PAWL SAFETY MANUAL LOCKING (RIGHT)	4488-TB-46
33	PIN SAFETY PAWL MANUAL	4488-TB-32
34	LINKAGE PAWL (R SIDE STANDARD HOIST 2340mm WIDE)	4488-TB-43
	LINKAGE PAWL (R SIDE A SERIES HOIST 2700mm WIDE)	4488-TB-43A
35	CIRCLIP 10mm (12 PER ASSEMBLY)	4488-TB-22
36	SPLIT PIN M2.5X12mm	4488-TB-49
37	PUSH ROD	4488-TB-48
38	COLLAR FIXED	4488-TB-50
39	SPRING PUSH ROD	4488-TB-53
40	COLLAR SLIDING	4488-TB-52
41	GRUB SCREW 1/4"WX1/4"	4488-TB-51
42	LINKAGE PAWL (L SIDE STANDARD HOIST 2340mm WIDE)	4488-TB-44
	LINKAGE PAWL (L SIDE A SERIES HOIST 2700mm WIDE)	4488-TB-44A
43	PAWL SAFETY MANUAL LOCKING (LEFT)	4488-TB-47



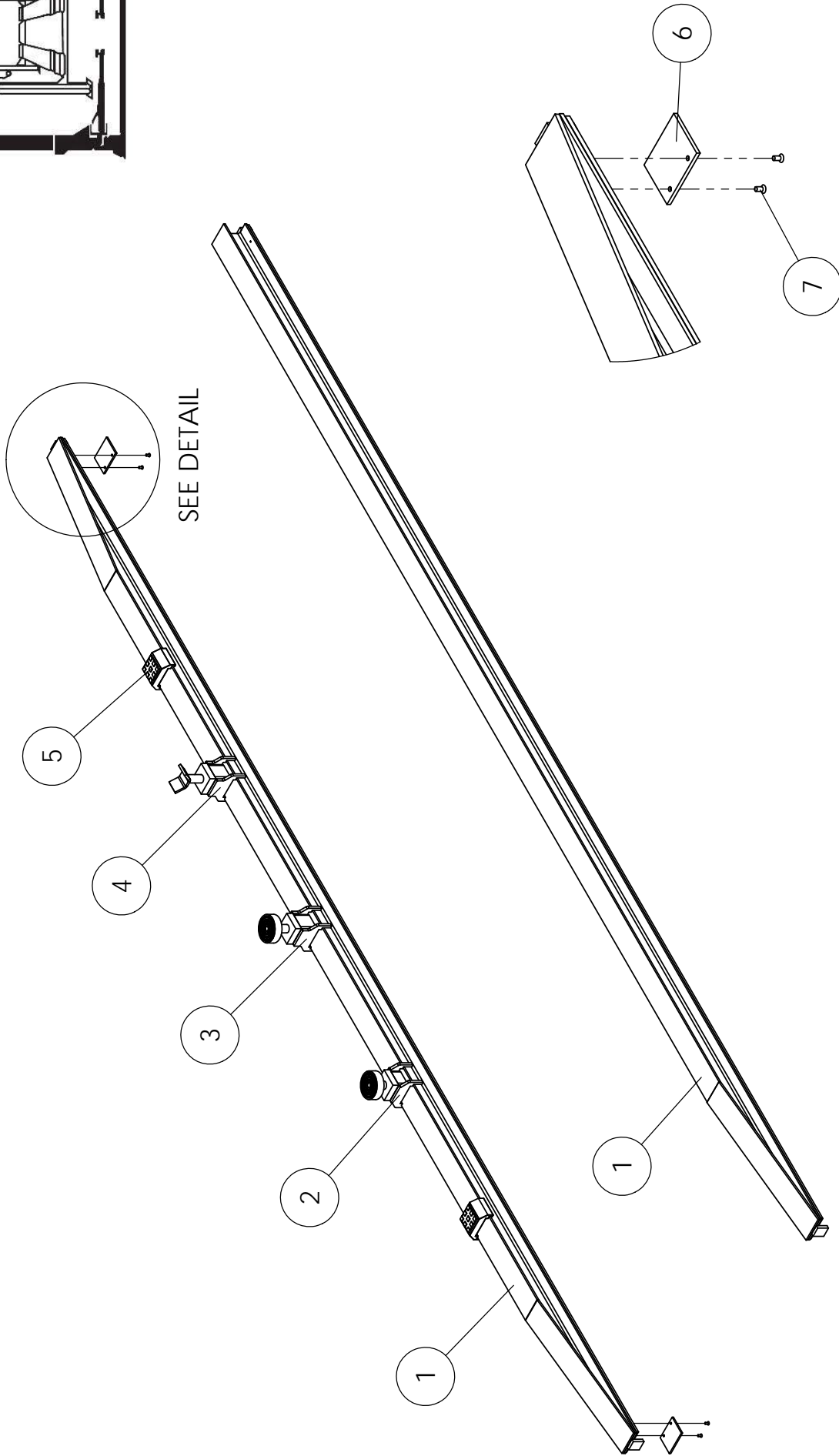
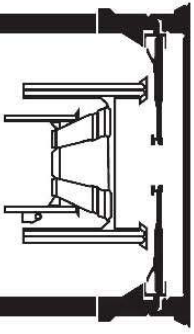
CYLINDER ASSEMBLY

ITEM #	PART DESCRIPTION	SPARE PART #
1	PISTON ROD ASSEMBLY	4488-C-104
2	HYDRAULIC HOSE	4488-C-120
3	ADAPTOR HYDRAULIC STRAIGHT	4488-C-118
4	OLIVE 3/8"	4488-C-116
5	NUT HYDRAULIC ADAPTOR	4488-C-115
6	PIPE HYDRAULIC CYLINDER	4488-C-119
7	ADAPTOR HYDRAULIC ELBOW	4488-C-117
8	WEAR RING	4488-C-109
9	SEAL	4488-C-110
	CYLINDER SEAL KIT (INCL. ITEMS # 8 SEAL (x1), # 9 WEAR RING (x1), # 10 RETAINER (x1), # 25 GUIDE BUSH (x1), # 26 O RING 60mm (x1))	4488-C-K110
10	RETAINER	4488-C-111
11	BOLT SOCKET HEAD M6X12mm	4488-C-75
12	WASHER SHAKEPROOF 1/4"	4488-C-76
13	WASHER FLAT 1/4"	4488-C-77
14	BOLT THROTTLE VALVE	4488-C-114
15	SPRING THROTTLE VALVE	4488-C-113
16	THROTTLE VALVE	4488-C-112
17	CYLINDER BARREL	4488-C-107
	HYDRAULIC CYLINDER ASSEMBLY	4488-C-AK107
18	CABLE BLOCK	4488-C-99
19	NUT WHITWORTH LOCK 3/4"	4488-C-102
20	RETAINING PLATE	4488-C-101
21	WASHER SHAKEPROOF 3/4"	4488-C-103
22	NUT WHITWORTH LOCK 3/4"	4488-C-102
23	ROLLER (CABLE BLOCK)	4488-C-100
24	CIRCLIP 60mm	4488-C-105
25	GUIDE BUSH	4488-C-106
26	O RING 60mm	4488-C-106A
27	DRIP TRAY	4488-C-DRPT
28	HYDRAULIC CYLINDER SADDLE	4488-C-86
29	WASHER FLAT M8	4488-C-89
30	WASHER SHAKEPROOF M8	4488-C-88
31	BOLT SOCKET HEAD M8X16mm	4488-C-87
32	USE 4488-C-86 (ITEM # 28)	4488-C-86A



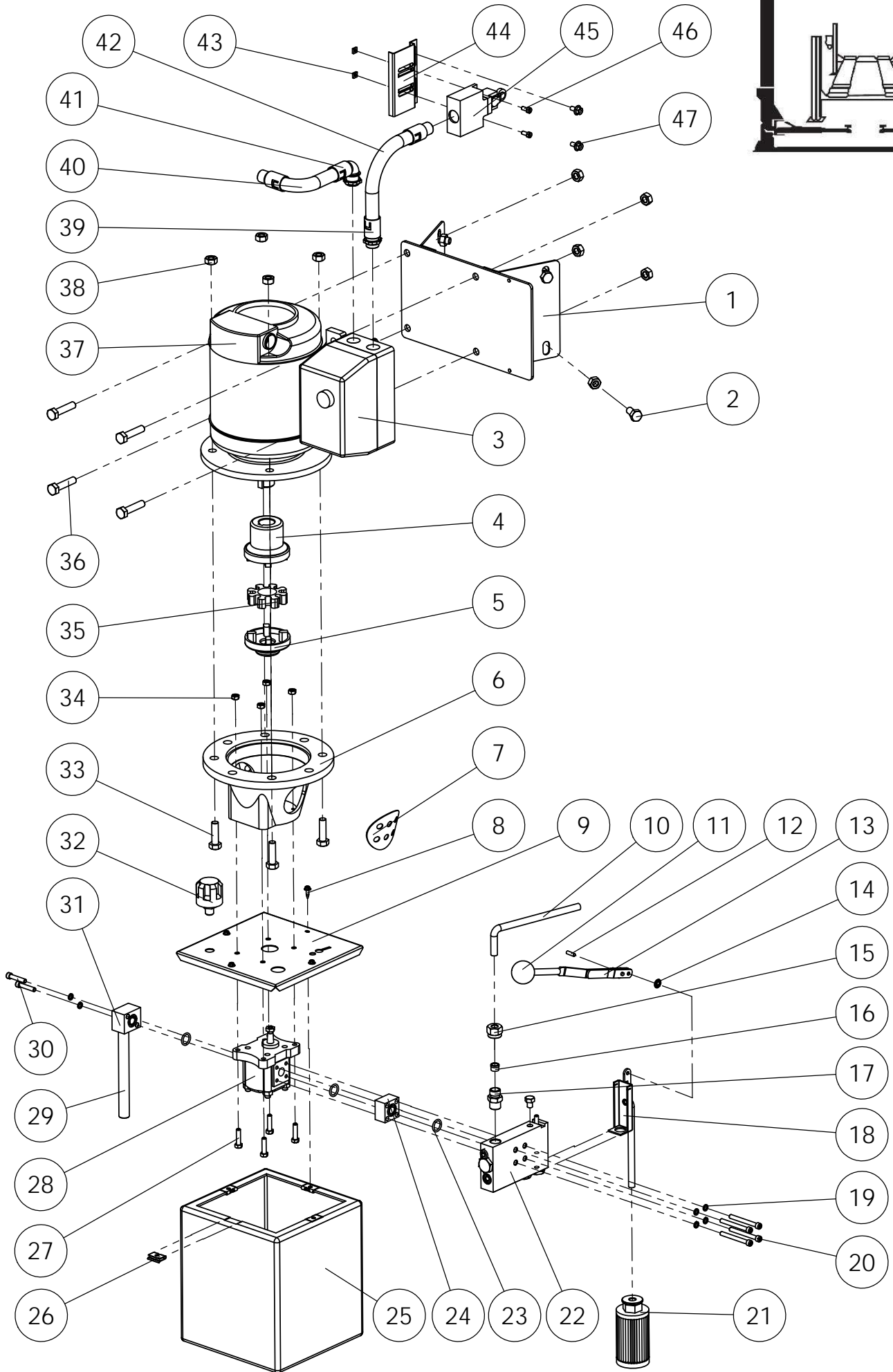
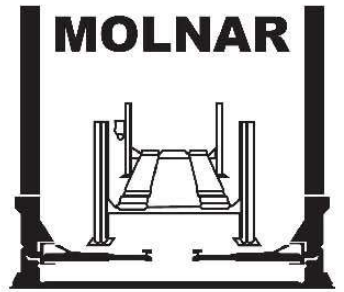
POST ASSEMBLY

ITEM #	PART DESCRIPTION	SPARE PART #
1	NUT CABLE 3/4" UNF	4488-P-7
2	WASHER CABLE 3/4"	4488-P-7A
3	SAFETY RAIL	4488-P-3
4	WASHER M16	4488-P-6
5	BOLT HIGH TENSILE M16X50mm	4488-P-4B
6	BOLT HIGH TENSILE M16X90mm	4488-P-4
7	POST CONTROL NO.1 (RWFH)	4488R/WR-P-1
	POST NON-CONTROL (RWFH)	4488R/WR-P-2
8	SHOCK ABSORBER RUBBER	4488-P-6A
9	WASHER SHOCK M16X50mmX4mm	4488-P-6B
10	NUT HIGH TENSILE M16	4488-P-5
	MOUNTING BOLT SAFETY ASSEMBLY KIT (EACH POST) (INCL. ITEMS # 4 WASHER M16 (x2), # 6 BOLT (x1), # 8 SHOCK RUBBER (x1), # 9 SHOCK WASHER (x1), # 10 NUT M16 (x2))	4488-P-4A
	MOUNTING BOLT RAILS ASSEMBLY KIT (EACH POST) (INCL. ITEMS # 4 WASHER M16 (x2), # 5 BOLT (x1), # 10 NUT M16 (x2))	4488-P-RAK4
	MOUNTING BOLT ASSEMBLY KIT (BOTH RAILS EACH POST) (INCL. PART NO.s 4488-P-4A AND 4488-P-RAK4)	4488R/WR-P-4A



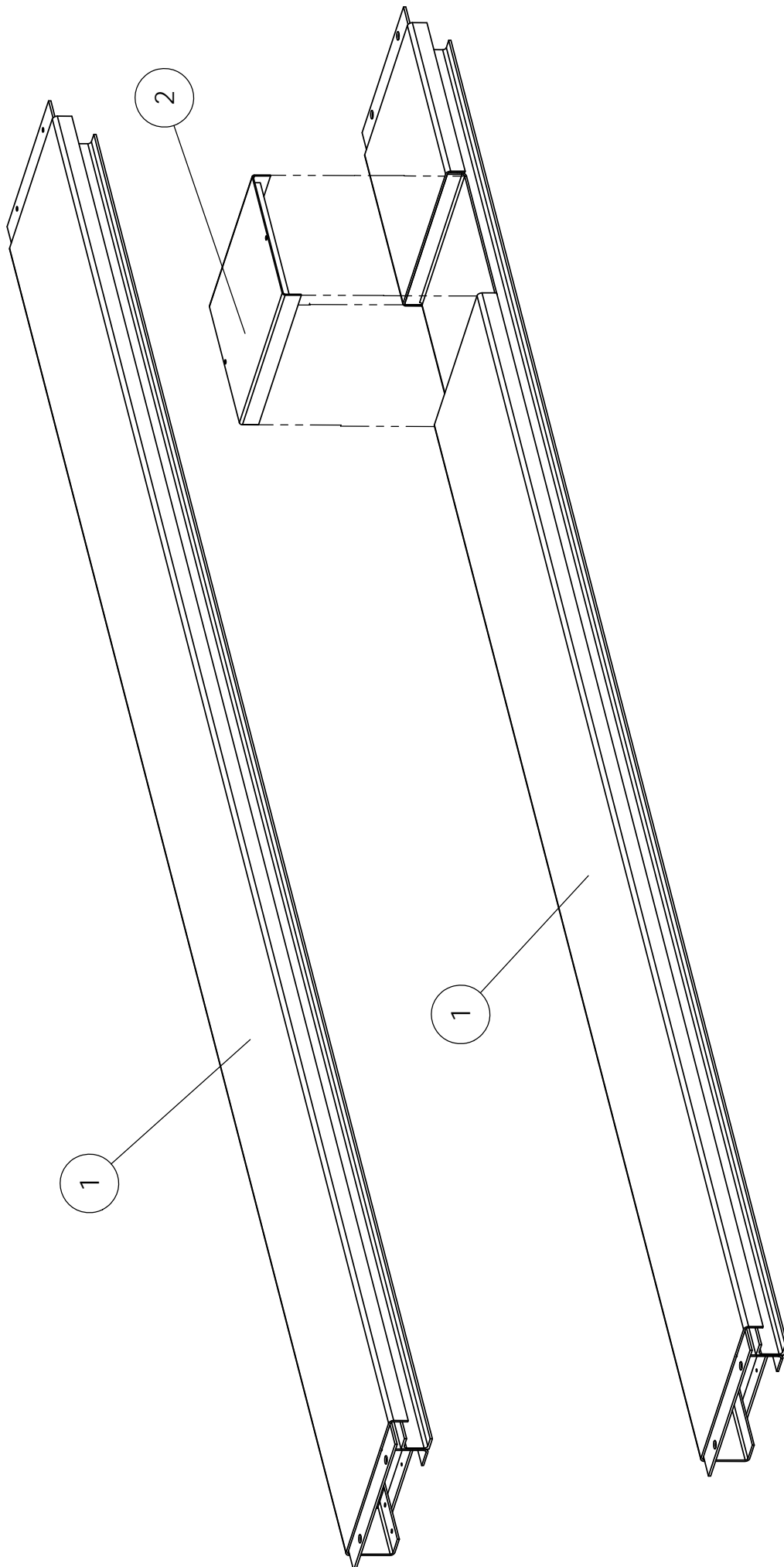
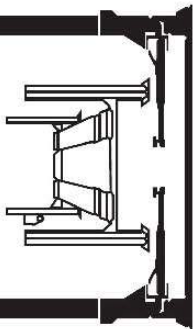
WHEELS FREE RAILS ASSEMBLY

ITEM #	PART DESCRIPTION	SPARE PART #
1	WHEELS FREE RAILS (TAPERED BOTH ENDS)	4488-WR-B-180
	WHEELS FREE RAILS (TAPERED FRONT END)	4488-R-B-180
2	EXTENSION PAD LOW	EXT-PAD-LOW
3	EXTENSION PAD	EXT-PAD
4	AXLE PICK UP	AXLE-PU
5	SUPPORT PAD/SLIDNG BLOCK	4488R/WR-SP
6	WEAR PAD (WHEELS FREE RAILS)	4488-R/WR-B-181
7	BOLT M6X12mm COUNTERSUNK	4488-R/WR-B-181B



POWER PACK ASSEMBLY

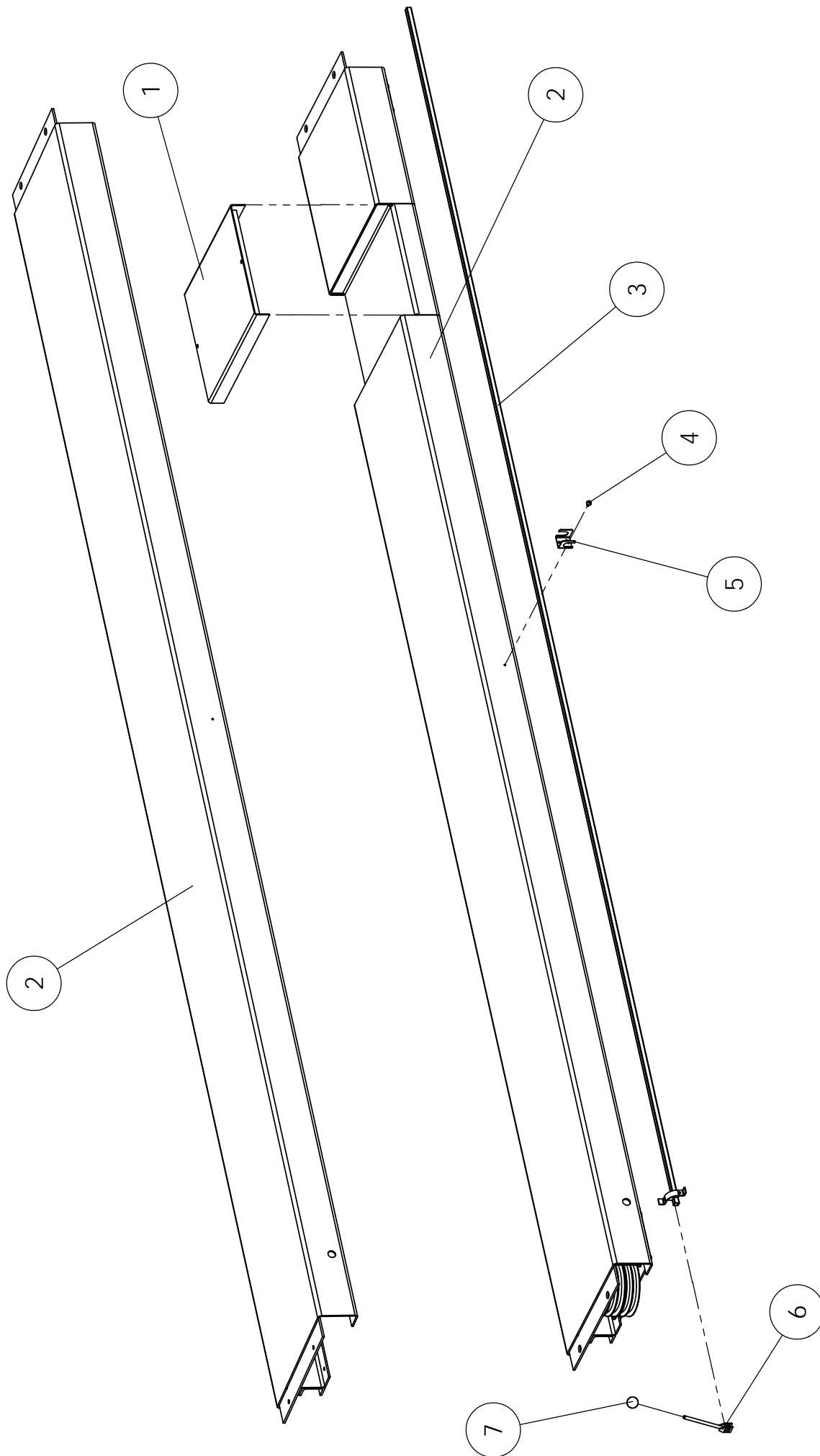
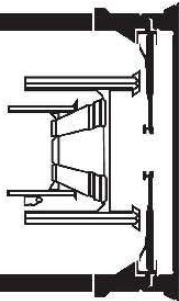
ITEM #	PART DESCRIPTION	SPARE PART #
1	BRACKET MOTOR MOUNT	4488-R/WR-PP-169
2	BOLT MOTOR MOUNTING BRACKET M10X20mm	4488-PP-170
3	STARTER BOX-TP (415V 3 PHASE)	4488-PP-164
	STARTER BOX-SP (240V SINGLE PHASE)	4488-PP-164SP
4	COUPLING MOTOR	4488-PP-154
5	COUPLING PUMP	4488-PP-158
6	BELL HOUSING	4488-PP-155
7	COUPLING GUARD	4488-PP-155G
8	SCREW TANK/LID 8GX15mm	4488-PP-125
9	TANK LID	4488-PP-123
10	HYDRAULIC PIPE WITH FITTING (TANK)	4488-PP-121
11	HANDLE GRIP	4488-PP-126B
12	PIN PIVOT	4488-PP-127
13	HANDLE LOWERING	4488-PP-126
14	SPEED CLIP	4488-PP-128
15	NUT HYDRAULIC ADAPTOR	4488-PP-115
16	OLIVE 3/8"	4488-PP-116
17	ADAPTOR HYDRAULIC STRAIGHT	4488-PP-118
18	BRACKET CONTROL VALVE	85A-F-175
19	WASHER SPRING VALVE BODY 1/4"X1/16"X1/16"	4488-PP-146
20	BOLT VALVE BODY M6X55mm	4488-PP-145
21	FILTER	4488-PP-139
22	CONTROL VALVE ASSEMBLY	4488-PP-129
	CONTROL VALVE ASSEMBLY-RECONDITIONED	4488-PP-129REC
23	O RING 12mm	4488-PP-148
24	ADAPTOR PUMP MANIFOLD	4488-PP-177
25	TANK (EMPTY NO OIL)	4488-PP-122
	TANK HYDRAULIC ASSEMBLY	4488-PP-122A
	OIL CASTROL AWH 46 5 LITRE	OIL
26	NUT SPEED	4488-PP-305
27	BOLT 1/4"X1" (ZINC)	4488-PP-147
28	HYDRAULIC PUMP	4488-PP-150
29	ADAPTOR PUMP EXTENSION	4488-PP-151
30	BOLT VALVE BODY M6X35mm	4488-PP-145A
31	ADAPTOR PUMP PICK UP	4488-PP-152
32	BREATHER	4488-PP-124
33	BOLT BELL HOUSING M10X35mm	4488-PP-156
34	NUT 1/4" (ZINC)	4488-PP-149
35	COUPLING RUBBER	4488-PP-158A
36	BOLT MOUNTING M10X25mm	4488-PP-168
37	MOTOR 415V 3 PHASE	4488-PP-159TP
	MOTOR 240V SINGLE PHASE	4488-PP-159SP
38	NUT BELL HOUSING M10	4488-PP-157
39	ADAPTOR STRAIGHT CONDUIT M20	4488-PP-303
40	CONDUIT M20	4488-PP-162
41	ADAPTOR ELBOW CONDUIT M20	4488-PP-304
42	CONDUIT M20	4488-PP-165
43	NUT LIMIT SWITCH MOUNTING M5	4488-PP-175
44	BRACKET LIMIT SWITCH	4488-PP-173
45	LIMIT SWITCH	4488-PP-172
46	BOLT LIMIT SWITCH MOUNTING M5X12mm	4488-PP-174
47	BOLT M6X12mm	4488-R-64
	POWER PACK ASSEMBLY 415VOLT	4488-PP
	POWER PACK ASSEMBLY 240VOLT	4488-PP-240V



LEFT HAND PLATFORM

LEFT HAND PLATFORM

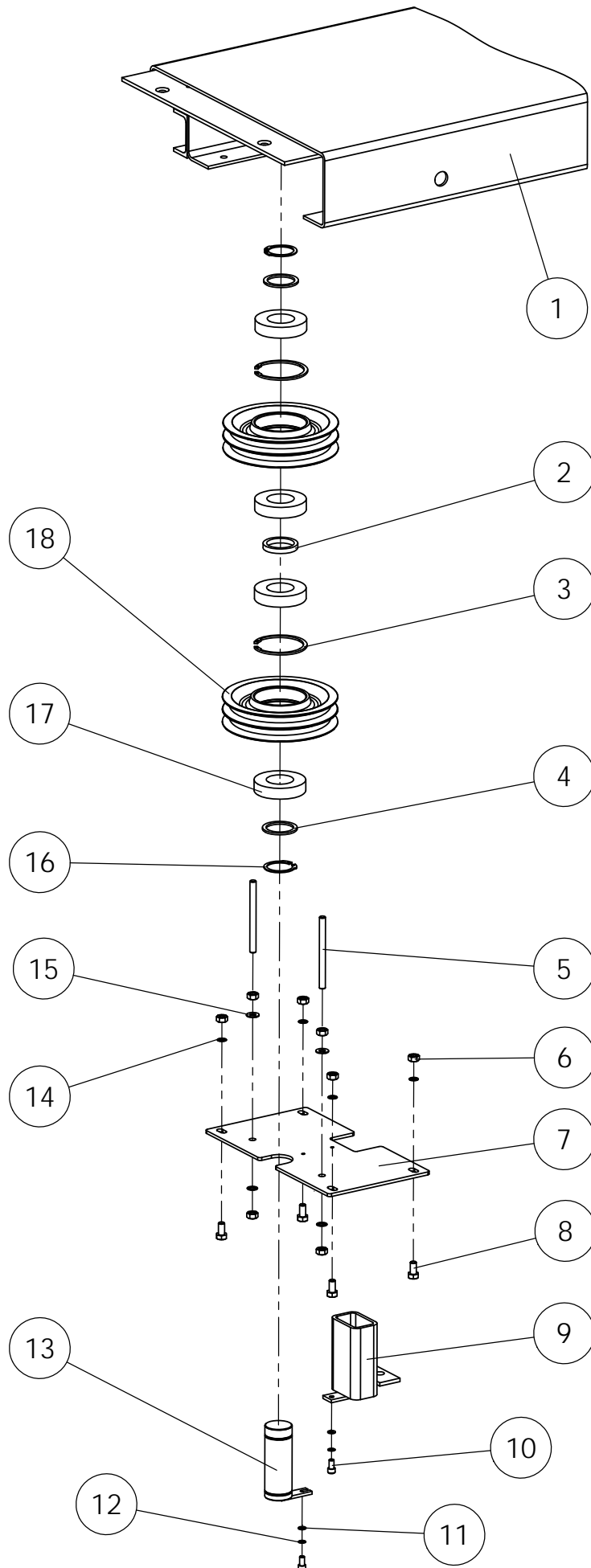
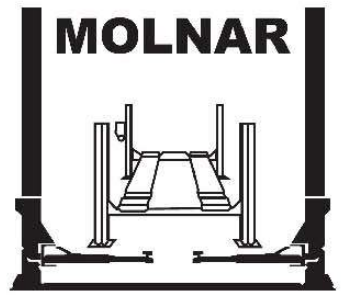
ITEM #	PART DESCRIPTION	SPARE PART #
1	PLATFORM LEFT HAND (WITH WHEEL ALIGNMENT RECESS)	4488-WR-R-67
	PLATFORM LEFT HAND (WITHOUT WHEEL ALIGNMENT RECESS)	4488-R-R-67
2	WHEEL ALIGNMENT RECESS COVER	4488-R-68



RIGHT HAND PLATFORM

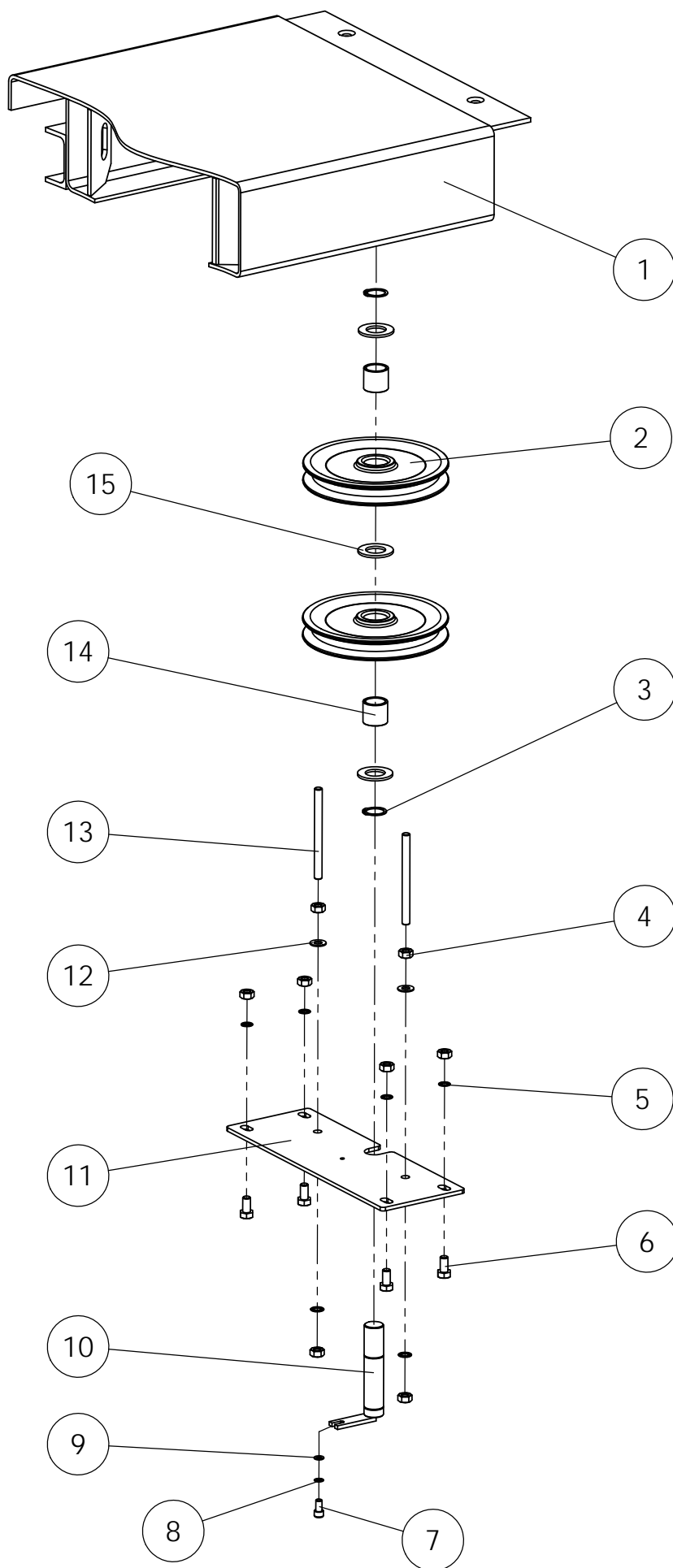
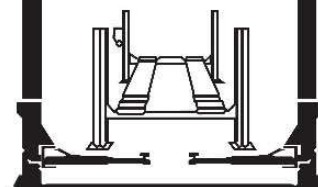
RIGHT HAND PLATFORM

ITEM #	PART DESCRIPTION	SPARE PART #
1	WHEEL ALIGNMENT RECESS COVER	4488-R-68
2	PLATFORM RIGHT HAND (WITH WHEEL ALIGNMENT RECESS)	4488-WR-R-69
	PLATFORM RIGHT HAND (WITHOUT WHEEL ALIGNMENT RECESS)	4488-R-R-69
3	ACTUATING BAR LONG	4488-R-61
4	BOLT M6X12mm	4488-R-64
5	BRACKET	4488-R-63
6	HANDLE LOCKING MECHANISM	4488-R/WR-62
7	HANDLE GRIP	4488-PP-126B



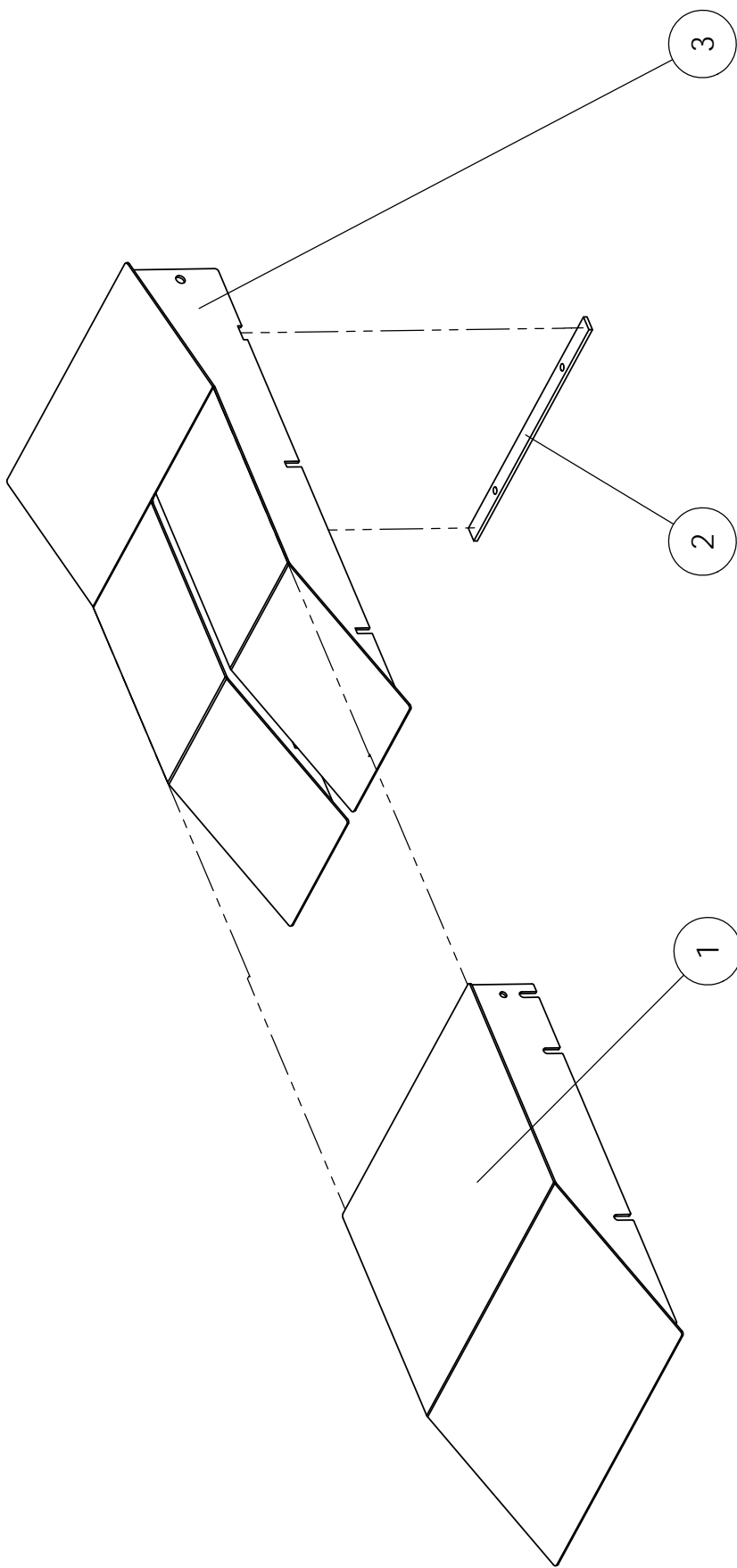
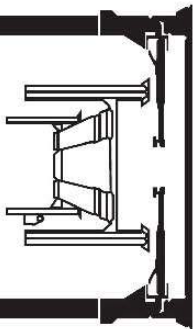
DOUBLE PULLEY ASSEMBLY

ITEM #	PART DESCRIPTION	SPARE PART #
1	PLATFORM RIGHT HAND (WITH WHEEL ALIGNMENT RECESS)	4488-WR-R-69
	PLATFORM RIGHT HAND (WITHOUT WHEEL ALIGNMENT RECESS)	4488-R-R-69
2	SPACER (MIDDLE)	4488-DP-97
3	CIRCLIP 85mm (INTERNAL)	4488-DP-96
4	SPACER (OUTER - 2 PER ASSEMBLY)	4488-DP-94
5	CABLE RETAINING PIN	4488-DP-70
6	NUT M10	4488-DP-84
7	SUPPORT PLATE	4488-DP-91
8	BOLT HIGH TENSILE M10X20mm.	4488-DP-82
9	CYLINDER SUPPORT BLOCK	4488-DP-90
10	BOLT SOCKET HEAD M6X12mm	4488-DP-75
11	WASHER FLAT 1/4"	4488-DP-77
12	WASHER SPRING 1/4"	4488-DP-76
13	PIN DOUBLE PULLEY	4488-DP-92
14	WASHER SPRING M10	4488-DP-83
15	WASHER FLAT M10	4488-DP-71
16	CIRCLIP 44mm	4488-DP-93
17	BEARING (2 PER PULLEY)	4488-DP-95
18	PULLEY TWIN GROOVE	4488-DP-98
	PULLEY TWIN GROOVE WITH BEARING (X2)	4488-DP-98WB
	PULLEY TWIN GROOVE ASSEMBLY (INCL. ITEMS # 2 SPACER MIDDLE (x1), # 3 CIRCLIP 85mm (x2), # 4 SPACER OUTER (x2), # 13 PIN (x1), # 16 CIRCLIP 44mm (x2), # 17 BEARING (x4), # 18 PULLEY (x2))	4488-DP









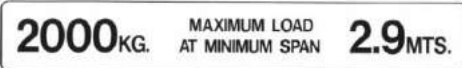
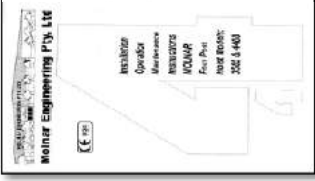

SINGLE PULLEY ASSEMBLY

ITEM #	PART DESCRIPTION	SPARE PART #
1	PLATFORM RIGHT HAND (WITH WHEEL ALIGNMENT RECESS)	4488-WR-R-69
	PLATFORM RIGHT HAND (WITHOUT WHEEL ALIGNMENT RECESS)	4488-R-R-69
2	PULLEY SINGLE GROOVE (INCLUDES BUSHES)	4488-SP-18
3	CIRCLIP 25mm	4488-SP-78
4	NUT M10	4488-SP-72
5	WASHER SPRING M10	4488-SP-83
6	BOLT HIGH TENSILE M10X20mm	4488-SP-82
7	BOLT SOCKET HEAD HIGH TENSILE M6X12mm	4488-SP-75
8	WASHER SPRING 1/4"	4488-SP-76
9	WASHER FLAT 1/4"	4488-SP-77
10	PIN SINGLE PULLEY	4488-SP-74
11	SUPPORT PLATE	4488-SP-81
12	WASHER FLAT M10	4488-SP-71
13	PIN CABLE RETAINING	4488-SP-70
14	BUSH (SINGLE GROOVE PULLEY)	4488-SP-80
15	SPACER (3 PER ASSEMBLY)	4488-SP-79
	PULLEY SINGLE ASSEMBLY (INCL. ITEMS # 2 PULLEY (x2), # 3 CIRCLIP 25mm (x2), # 13 PIN (x1), # 14 BUSH (x2), # 15 SPACER (x3))	4488-SP

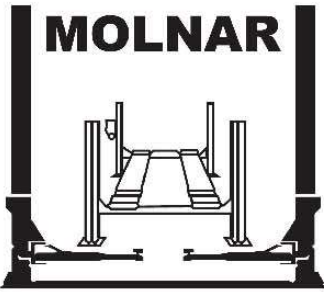


RUN-UP ASSEMBLY

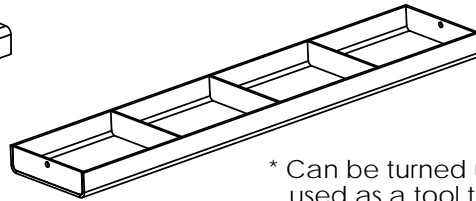
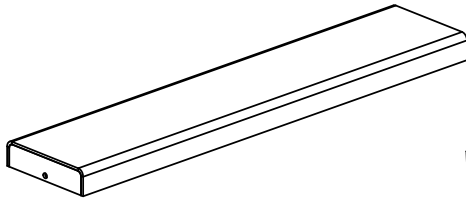
ITEM #	PART DESCRIPTION	SPARE PART #
1	RUN-UP EXTENSION (EACH)	4488-R-251
2	RUN-UP LOCATION BAR (EACH)	4488-R-662
3	RUN-UP (INCLUDES LOCATION BAR - EACH)	4488-R-250
	RUN-UP ASSEMBLY (INCL. ITEMS # 1 EXTENSION (x1), # 2 LOCATION BAR (x1), # 3 RUN-UP (x1))	4488-R-250A

ITEM #	DESCRIPTION	SPARE PART #
1		STICKER-DNJ
2		STICKERS/H
3		STICKERS
4		4488R/WR-DECAL
5		4488RA/WRA-DECAL
6		ON/OFF
7		RAILS FREE
8		4488MANUAL
9		OIL/H

MOLNAR

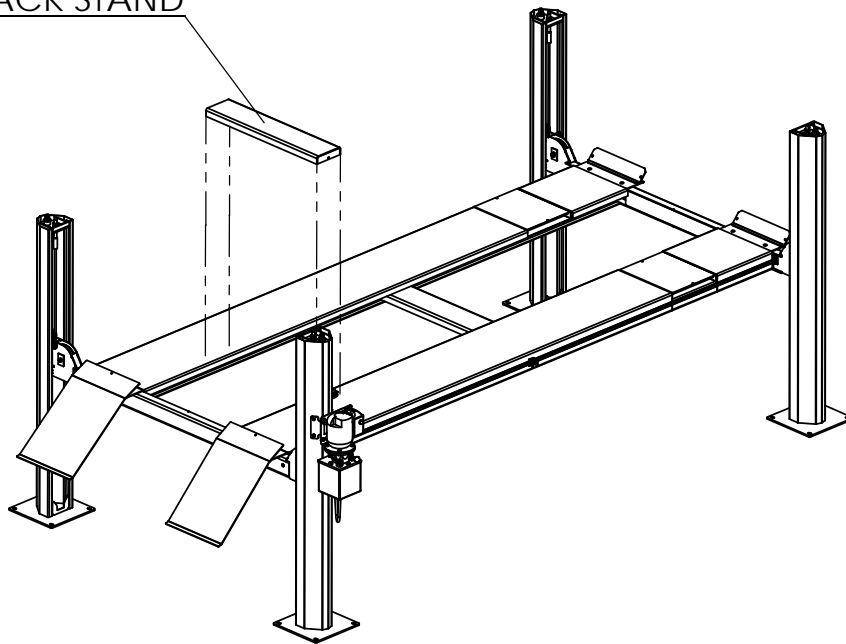


OPTIONAL MOLNAR JACK STAND



* Can be turned upside down and used as a tool tray.

JACK STAND



MODELS:

PART NO. 7252-023-01 - Standard width Jack Stand used on hoists; 4488R, 4488WR.

PART NO. 7252-023-01A - Wider model Jack Stand used on hoists; 4488RA, 4488WRA.

COMMENTS:

CHANGING FROM 415VAC 3PHASE MOTOR TO 240VAC SINGLE PHASE MOTOR

MOTOR 240V SINGLE PHASE (INCLUDES COUPLING). PART NO. 4488-PP-159SP

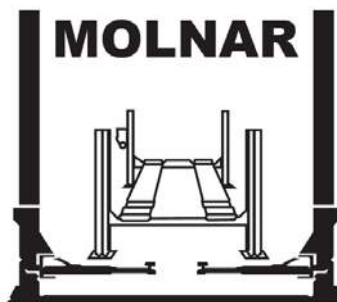
USE EXISTING MOTOR MOUNT BOLTS

MOLNAR ENGINEERING STRONGLY ADVISES CONSULTING A QUALIFIED ELECTRICIAN
BEFORE COMMENCING CONVERSION

ELECTRICIAN

- HOIST MUST BE WIRED BY A QUALIFIED ELECTRICIAN ACCORDING TO AS3000 OR SUPPLY AUTHORITY REGULATIONS
- MINIMUM SUPPLY CIRCUIT RATING REQUIRED 20 AMP
- MODIFY WIRING ON HOIST TO SUIT SINGLE PHASE
- EXCHANGE 415VAC CONTACTOR TO A 240VAC CONTACTOR INSIDE THE STARTER BOX OR REPLACE ENTIRE 415VAC STARTER BOX WITH 240VAC STARTER BOX (STARTER BOX-SP (240V SINGLE PHASE) PART NO. 4488-PP-164SP)

NOTES:



MANUFACTURED BY:

MOLNAR ENGINEERING PTY. LTD.

A.B.N. 54 007 740 794

16-20 Coglin Street, Brompton, S.A. 5007 AUSTRALIA
Telephone: (08) 8346 6893, (08) 8346 6894, (08) 8346 8006
Fax: (08) 8346 0097, Web: www.molnarhoists.com.au
Email: spareparts@molnarhoists.com.au