

SURFACE-MOUNTED HOIST

2nd GENERATION – includes patented “Signum” arm lock alarm and new lifting height



SM245-B

Universal Full Asymmetric Electro-Hydraulic Two Post Vehicle Hoist – 4.5 Tonne Capacity



The MOLNAR SM245-B is a universal 4.5 tonne electro-hydraulic two post vehicle hoist, available with three phase or optional single-phase motor. This hoist is ideally suited for vehicle repair and maintenance within industrial, commercial or domestic workshops.

The patented double W shaped post profile and large foot plate offer unrivalled stability for stronger, smoother operation. The double telescopic arm length makes the SM245 one of the most versatile on the market, suitable for the smallest of cars through to large SUV's.



Features

Posts

- › Vehicle rear positioning for optimum door opening angle
- › Unique asymmetric column design for greater stability
- › Clear floor (no base frame)
- › Single hydraulic unit
- › Carriage with slide blocks
- › Push button control unit with upper protection limit
- › Mechanical synchronisation
- › Safety ratchet system (no expensive compressed air required)
- › Dual height settings

ARMS

- › Includes “Signum” Arm Lock Alarm
- › Double telescopic front and rear arms as standard
- › Ability to parallel park arms; eases pad positioning
- › Automatic arm locking system
- › Very low minimum height
- › Suitable for small to large passenger cars

Settings

- › Standard width 3245 mm or wide 3495 mm
- › Standard height 4000 mm or low 3750 mm
- › Wide model available (250 mm wider) – cable kit required when installing in wide and standard height setting
- › 100 mm Pad Extension included

Optional Extras

- › Single Phase
- › Custom colours
- › Wide and standard height setting fitting kit

Accessories

- › Range of lifting pads
- › Installation kit – oil and bolts
- › 40 mm, 100 mm, 187 mm pad extensions
- › Longer rear arm set for wide hoist setting (880 – 1560 mm)

Service and Support

- › 3 year Warranty
- › Available spare parts; shipped within 24 working hours

Application



Repair and maintenance



MOLNAR
By NEXION

UNIQUE FEATURES

Technical Data	Lifting capacity	4500 kg
	Lifting height	95 mm – 1990 mm
	Working height	1945 mm – 1990 mm (+100 mm extensions)
	Lifting / lowering time	30 seconds
	Motor unit	3.0 kW
	Voltage	415V 3 Phase + Earth / 10A (Neutral NOT required) Optional single phase / 20A
Arm Structure	Lifting pad	95 – 140 mm adjustable
	Minimum height	95 mm
	Drive-through width	2250 mm + optional 250 mm
	Width between posts	2560 mm + optional 250 mm
	Total width - outer edges base plates	3245 mm + optional 250 mm
	Total height including post	4000 mm or optional 3750mm low setting
	Arm length front, minimum – maximum	590 – 995 mm
	Arm length rear, minimum – maximum	710 – 1275 mm



EASY OPERATION. AUTOMATIC LOCK RELEASE



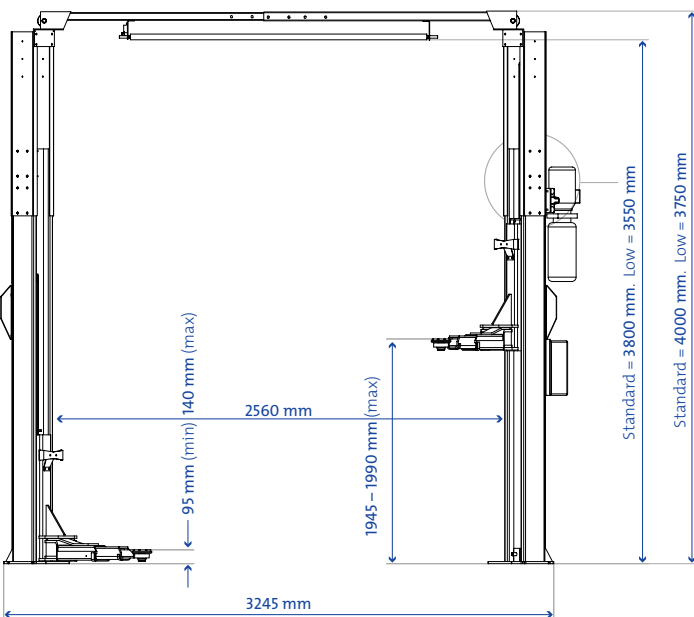
POWER PACK ABOVE OPERATOR



ADJUSTABLE PAD



DUAL HEIGHT AND WIDTH SETTING OPTION



LOW ARM CONSTRUCTION – 95 mm



100MM PAD EXTENSION SET INCLUDED



“SIGNUM” ARM LOCK ALARM. AUTOMATIC LOCK RELEASE



PATENTED AND RIGID COLUMN PROFILE

Specifications/Images subject to change without prior notice. To validate warranty, proof of a valid maintenance contract will be required. Images and Illustrations are indicative and may be modified without notice

**Lifting
the Level**

For more information, please contact MOLNAR or your local MOLNAR Representative

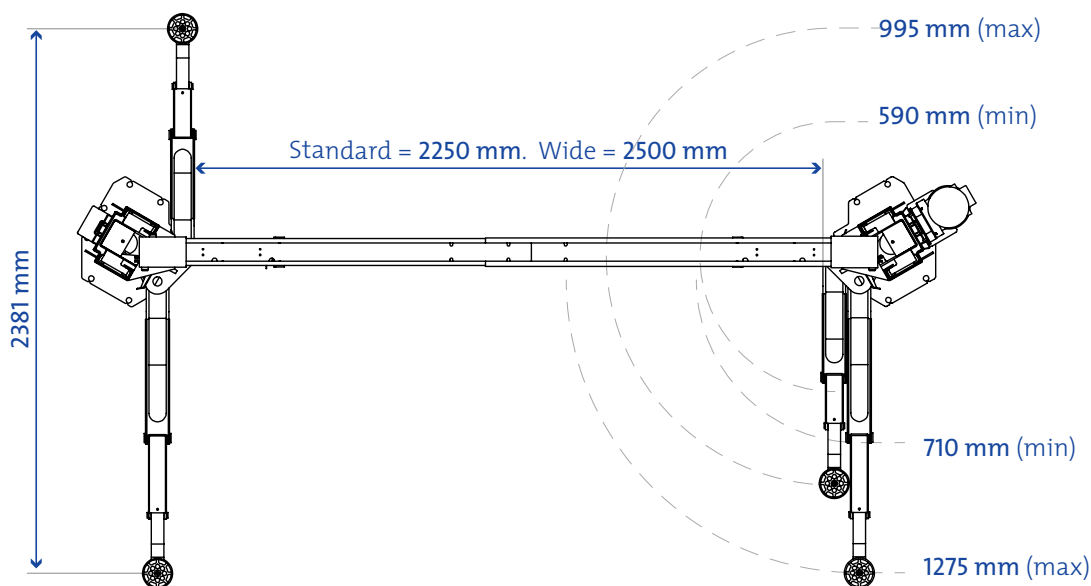
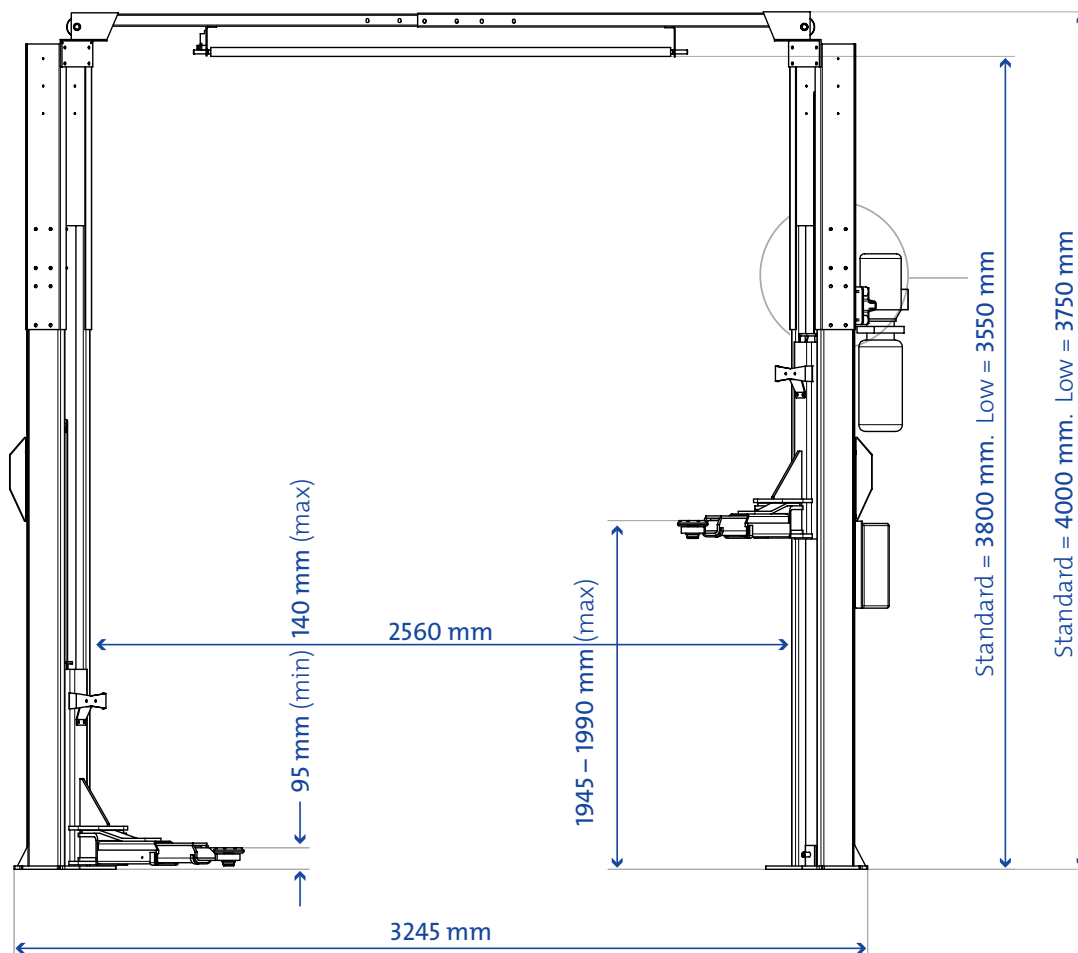
☎ 1300 MOLNAR (1300 665 627)
☎ 08 8234 3611 📠 08 8234 4322
✉ sales@molnarhoists.com.au

www.molnarhoists.com.au

🌐 📺 MolnarAustralia

SM245-B

Universal Full Asymmetric Electro-Hydraulic Two Post Vehicle Hoist – 4.5 Tonne Capacity



Illustrations are indicative and may be modified without notice

**Lifting
the Level**

For more information, please contact MOLNAR or your local MOLNAR Representative

www.molnarhoists.com.au

☎ 1300 MOLNAR (1300 665 627)
☎ 08 8234 3611 📠 08 8234 4322
✉ sales@molnarhoists.com.au

🌐 www.molnarhoists.com.au MolnarAustralia