



SM75S

Electro-Mechanical Heavy Duty Mobile Column Hoist – up to 60 Tonne Capacity



The Molnar SM75S is an electro-mechanical Mobile Column Lift, available in 2, 4, 6 or 8 column configurations.

With 7,5 tonne lifting capacity per column, this allows for up to 60 tonne overall lifting capacity making this space saving product ideal for a range of vehicles and small trucks.

Designed for easy maneuverability and workshop versatility, each column includes integrated towing jacks.



Features

COLUMNS

- › 3KW motor with control unit and alarm signal
- › Lockable main switch for emergency stop
- › Integrated towing jack
- › Sturdy column construction for maximum versatility and vehicle access
- › Self-carrying spindle with nut sets and safety nuts
- › Mechanically adjusted wheel with locking device for automatic lowering of towing jack at approximately 600 kg load
- › Electronic columns synchronise during raising/lowering
- › All wheel sizes from 800 to 1140 mm diameter
- › Different programs to operate each pair of columns

FORKS

- › Fixed wheel forks as standard

Optional Extras

- › Custom colours
- › Cable versions: with
 - › Cabled 2 Column (15 tonne)
 - › Cabled 4 Column (30 tonne)
 - › Cabled 6 Column (45 tonne)
 - › Cabled 8 Column (60 tonne)

Accessories

- › Support Stand
- › Wheel Adapters

Service and Support

- › Three year Warranty
- › Available spare parts; shipped within 24 working hours

Application



Repair and maintenance

Technical Data	Lifting capacity	7500 kg per column
	Lifting height	1720 mm
	Lifting / lowering time	150 seconds
	Motor	3 kW per column
	Voltage	415 V 50 Hz – 32 A
	Wheel distance	620 mm
	Stroke length	1605 mm
	Minimum height	115 mm
	Total height	2430 mm



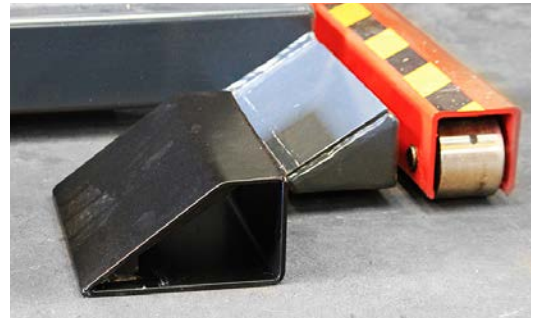
MOLNAR

PART OF THE STENHØJ GROUP

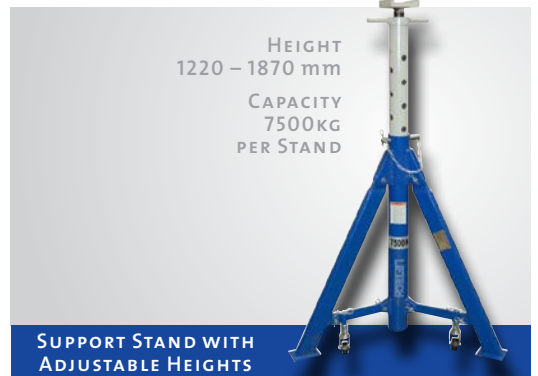
UNIQUE FEATURES



CONTROL UNIT



WHEEL ADAPTER
WHEEL SIZES 800 – 575 MM

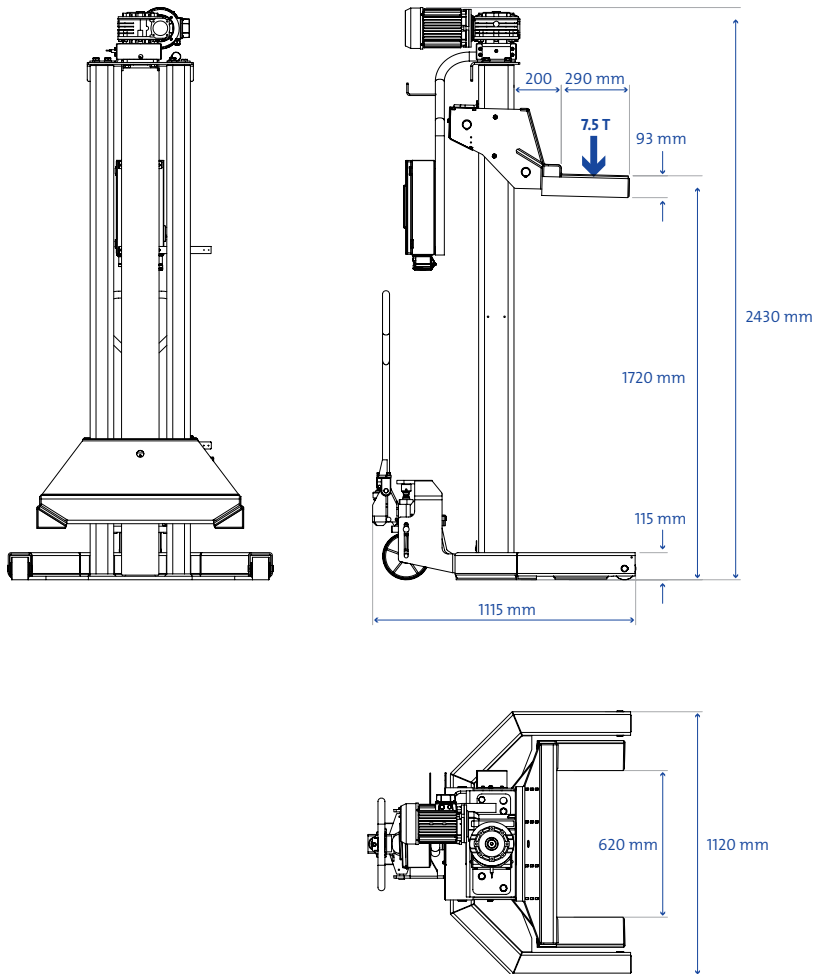


HEIGHT
1220 – 1870 mm
CAPACITY
7500 KG
PER STAND

**SUPPORT STAND WITH
ADJUSTABLE HEIGHTS**



**PROGRAMMABLE OPERATION
AS GROUPS, PAIRS OR SINGLE COLUMNS**



Specifications/Images subject to change without prior notice. To validate warranty, proof of a valid maintenance contract will be required. Images and Illustrations are indicative and may be modified without notice

**Lifting
the Level**

For more information,
please contact Molnar or your
local Molnar Representative

www.molnarhoists.com.au

☎ 1300 MOLNAR (1300 665 627)
☎ 08 8234 3611 📠 08 8234 4322
✉ sales@molnarhoists.com.au

🌐 www.molnarhoists.com.au MolnarAustralia