



# MOLNAR

## PLATFORM LIFT PL92-FWLHK

INSTALLATION, OPERATION  
& MAINTENANCE MANUAL

# PLATFORM LIFT

## MODEL PL92-FWLHK

### INSTALLATION INSTRUCTIONS

1. Position lift in installation position.
2. Remove all packing.
3. Lower lift to ground and position finally.
4. Unpack power pack and fill with oil. (4 Litres).  
Locate and fit Lowering Handle Kit See Fig 1.
5. Locate hydraulic quick connector under rubber skirt and connect power pack hose to it.
6. Connect power to power pack and by depressing start button raise the platform.
7. Locate the four fixing holes, drill and fix with dynabolts (12mm).
8. Loosen the screwing screws (see Fig 2.) Position the safety foot pedal between the hydraulic pipe assembly and the base frame.  
Ensure the safety actuating lever is captured within the slotted bar
9. Operate the Safety Pedal for correct operation.
10. With safety in the off position raise the unit 20mm, then lower using the Lowering Handle.
11. Check the skirts are not buckled.
12. Locate run-up ramp notches in front and back base frame channels.  
Slide the ramps to accept the track of the vehicle to be lifted.

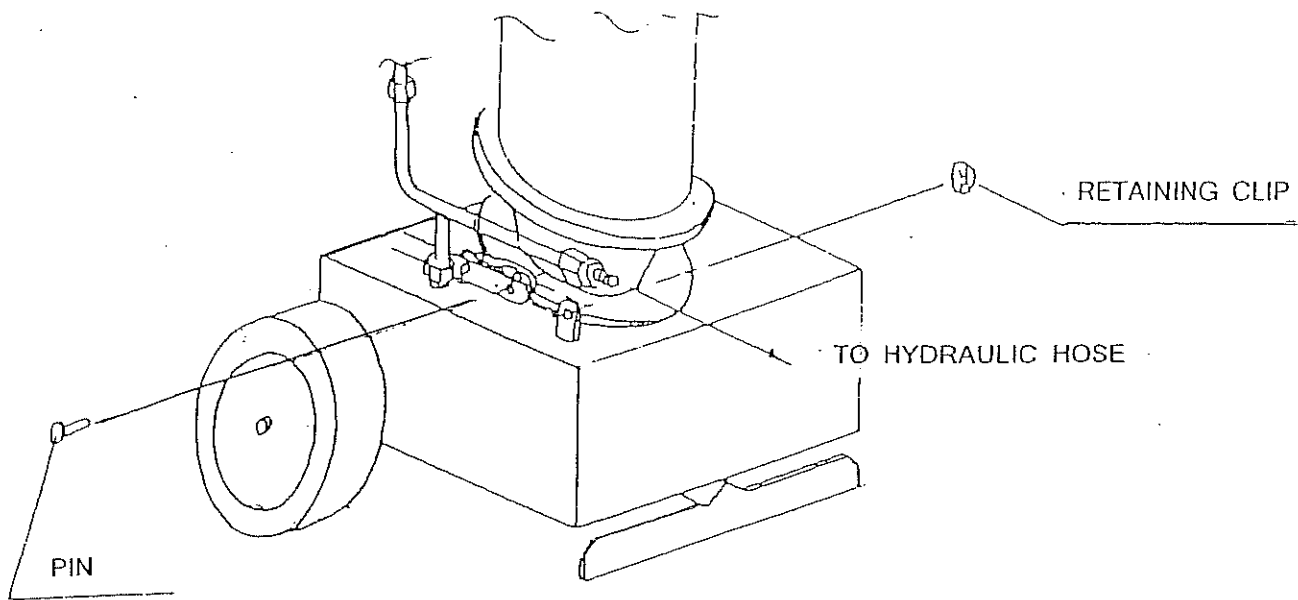


FIG 1

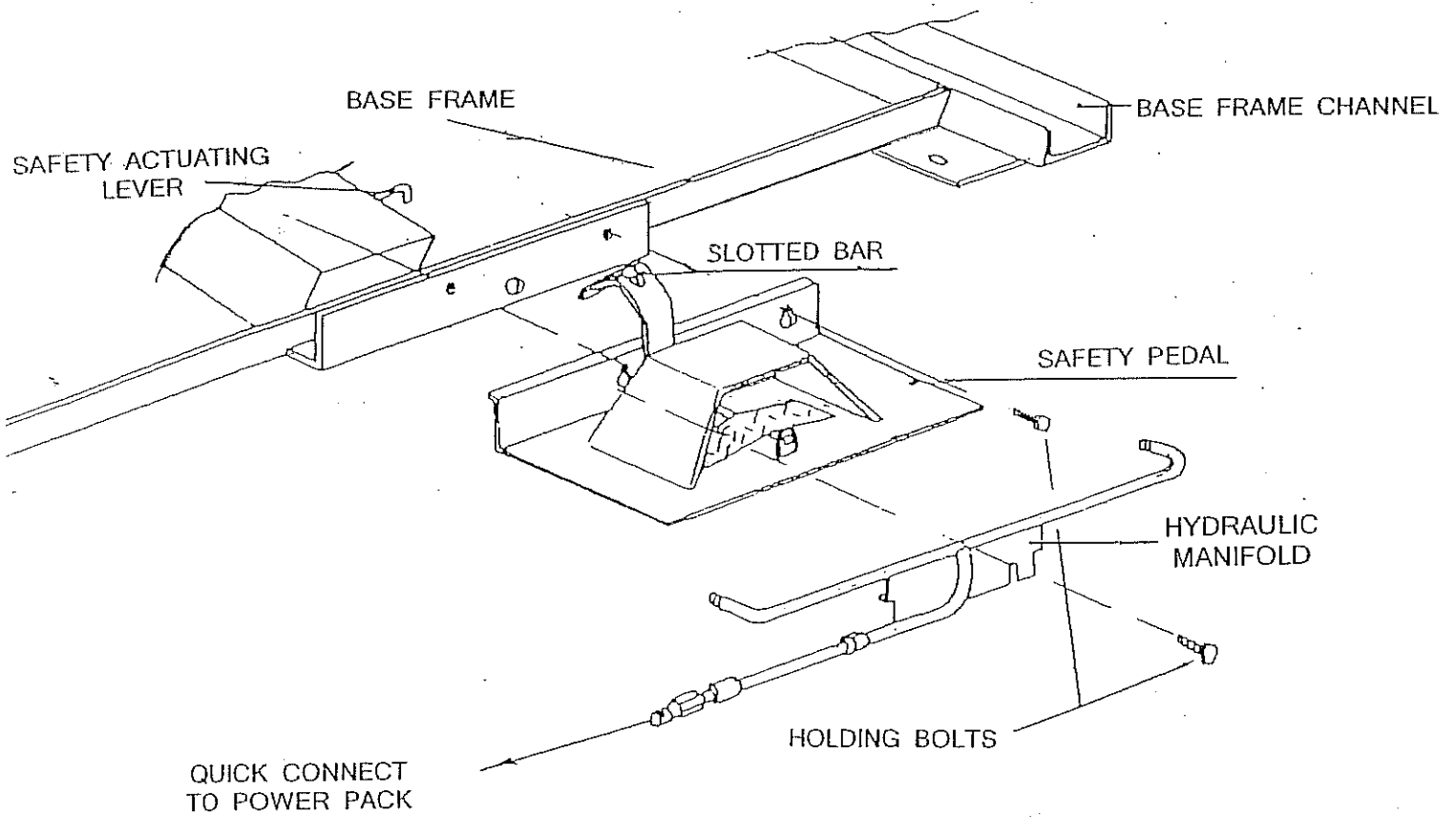


FIG 2

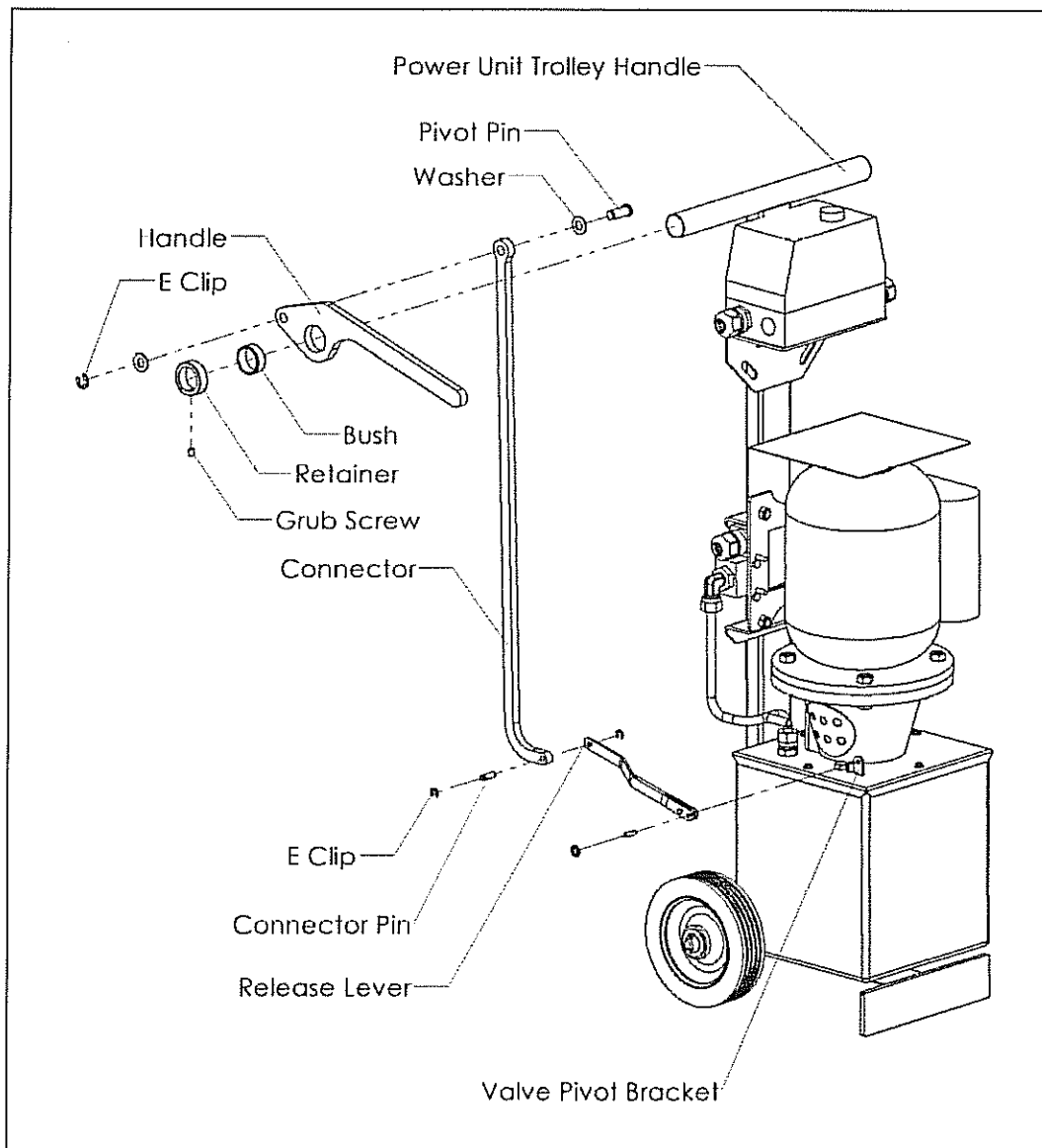


Makers of the famous  
TWO-POST AND FOUR-POST  
HOISTS & ACCESSORIES

# MOLNAR ENGINEERING PTY. LTD.

## PL92-LHK

### Platform Lift Lowering Handle Kit



*PL92-LHK Assembly Drawing*

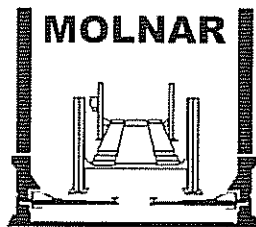
### **Assembly Instructions:**

1. Locate Handle onto the valve side of the Power Unit Trolley Handle with the “Pull Up” Sticker facing away from the power unit.
2. Locate the Connector and Release Lever through the pivot holes and secure with supplied Connector Pin and E-Clips. To secure E-Clips onto the Connector Pin, push clip into the machined grooves of the pin until the clip locks on.
3. Check and adjust if necessary the operation of the Handle, so it does not foul on any components and ensure all pins and clips are connected and secured properly. All components should rotate through a vertical path. To restrict sideways movement of the Handle, position the retainer on the Power Unit Trolley Handle directly adjacent to the outside of the Bush and Handle and tighten the Grub Screw.

### **Operating Instructions:**

To lower the hoist using the Lowering Handle:

1. Ensure the hoist is at a point where the locks are not holding the load, raising the hoist up if necessary.
2. Turn off the locking mechanism.
3. Lift the Handle to lower the hoist.
4. Release the Handle to stop lowering the hoist.



MANUFACTURED BY:

**MOLNAR ENGINEERING PTY. LTD.**

A.B.N. 54 007 740 794

16-20 Coglin Street, Brompton, S.A. 5007 AUSTRALIA  
Telephone: (08) 8346 6893, Fax: (08) 8346 0097  
Web: [www.molnarhoists.com.au](http://www.molnarhoists.com.au)  
Email: [spareparts@molnarhoists.com.au](mailto:spareparts@molnarhoists.com.au)

# MAINTENANCE

## CHECK DAILY

Check safety mechanism to see that it functions properly.

## CHECK 3 MONTHLY

Remove Safety Mechanism lever & lightly lubricate safety mechanism with CRC.

## CHECK YEARLY

Service and safety inspection on the hoist must be performed by a competent person. This inspection must be recorded. If the 12 monthly service and safety inspection is not performed, the warranty is null and void.

## NOTE.

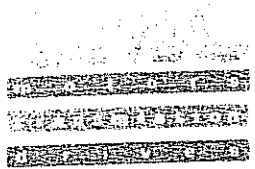
Yearly service must include removal of rollers to inspect, clean and lubricate bushes and pins.

## 2 YEARLY

Hydraulic oil and filter should be replaced. Fill Oil Tank to Oil Level Line with either Shell Tellus T46 oil, Mobil DTE25, Castrol Hyspin AWH46 oil BP Bartran HV46 oil or equivalent.

# PROBLEM SOLVING

FAULT	REMEDY
<p>Not lifting when raised button pressed</p>	<p>Disconnect extension cord to PL92 &amp; make sure there is power being supplied by connecting the extension cord to another electrical appliance.</p> <p>Check circuit breaker.</p> <p>Check the hydraulic Hose Quick Release Fitting incase it has been knocked or needs cleaning and is not allowing oil to flow. By using lowering handle to make sure there is no pressure in the hydraulic line, disconnect hydraulic quick release fitting &amp; clean and reconnect.</p> <p>Reset the electric motor by holding the red reset button for (30second) that is located on top of the electric motor under the Instructions Panel</p>



**CMG Pty Ltd**  
2/24 Richard Street, Hindmarsh. S.A. 5007  
☎ 08 8340 8333. ☎ Sales 1300 888 853. Fax 08 8340 8822  
Email Sales.SA@cmgroup.com.au

May 12, 2005

Molnar Engineering Pty Ltd  
18 Coglin street  
Brompton SA 5007

Attention Kevin Daws,

Re. Motor Start capacitor ratings.

Dear Kevin,

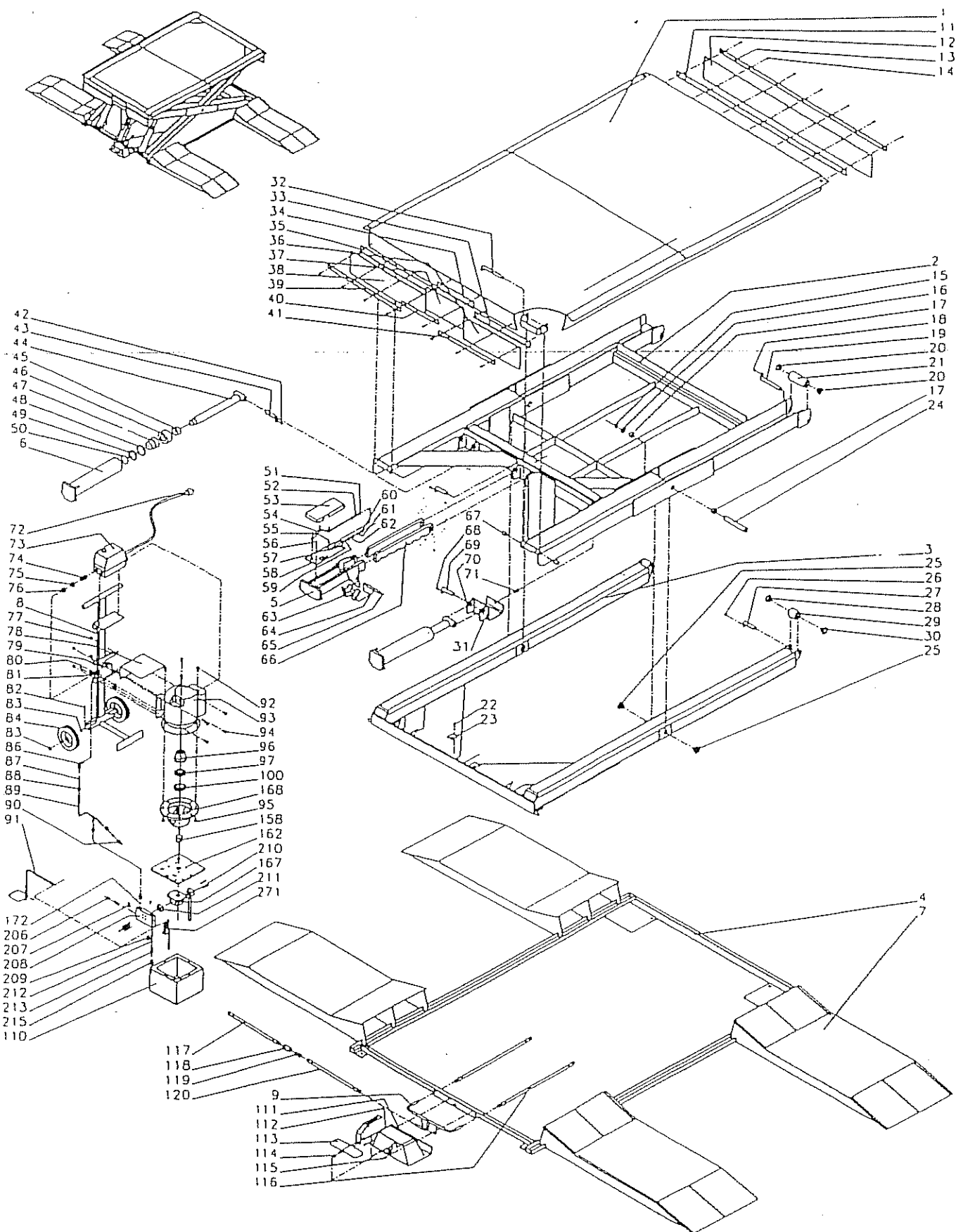
Further to your enquiry on duty rating for capacitors used in the single phase motors as fitted to the Molnar Hoists and Platform lifts, we advise the following.

The start (Black colour) capacitors as used on CMG motors are rated at 20, equally spaced starts per hour when started under load.

Any variations above the above limits could blow the capacitor and render the motor inoperative

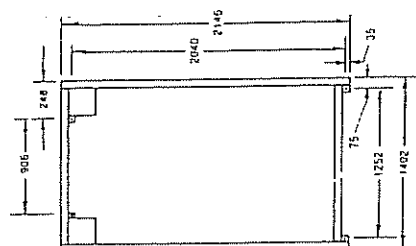
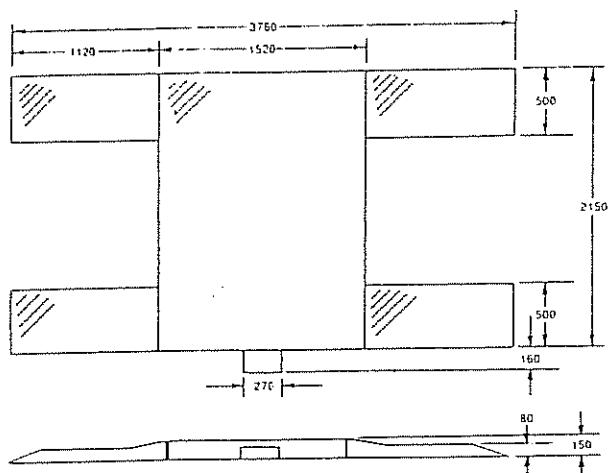
Kind regards

  
Robin Mitchell  
CMG Pty Ltd

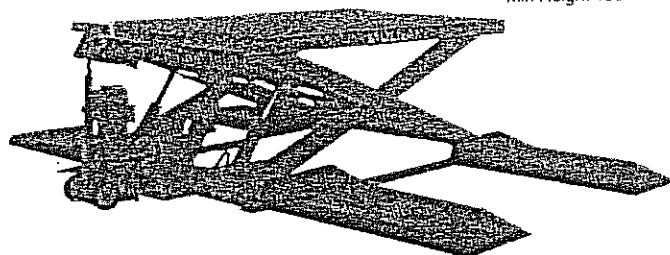
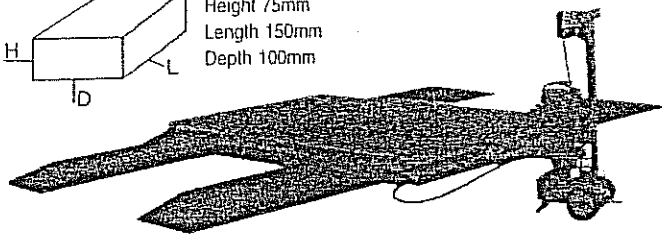
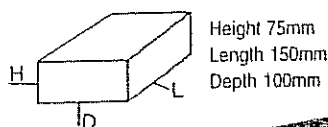


MODEL PL92

# PLATFORM LIFT PL92



## FEATURING 4 RUBBER PICK UP BLOCKS



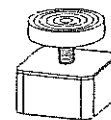
## SPECIFICATIONS:

Overall Width	2310 mm
Overall Length	3760 mm
Maximum Raised Height	850 mm
Minimum Lowered Height	150 mm
Lifting Time	18 secs.
Capacity	- 3000 kg (3.0 tonnes)
Lift Mass	- 727 kg
Electric Motor	- 1 phase, 1.5 kw, 2800 rpm, 240 volts, 50 Hz.
Hydraulic Oil	- Castrol Hyspin AWH46, Shell Tellus T46, Mobile DTE 25, BP Bartran HV46 or equivalent.

## IDEAL FOR:

- Tyre Changing or Rotating
- Brake Adjustment & Replacement
- Body Repairs
- General Workshops
- Front or Rear Suspension Repair or Removal
- Drive or Differential Unit Replacement or Service
- Engine Removal
- Lubrication Service
- Pre-Delivery Service
- Wheel Balancing & Alignment

## OPTIONAL PICK UP PAD PL92-10



Max Height 200mm  
Min Height 150mm

The Manufacturer reserves the right to alter these features and specifications without notice.

## MOLNAR ENGINEERING PTY. LTD.

### THE MOLNAR STORY FROM A HUMBLE BEGINNING IN 1951 TO AUSTRALIA'S LARGEST HYDRAULIC HOIST MANUFACTURER

Back in 1951, the new business trading as Green Dragon Steering and wheel Alignment opened its doors to the public. Operating out of an old stone building in Pulleney Street, Green Dragon specialised in Wheel Alignment, wheel Balancing and Chassis Straightening. In a short time, the stone building was replaced with a new workshop and an additional 4 people had been employed after only three months of trading. Business increased even further and Green Dragon outgrew the Pulleney Street Workshop.

In the early 1960's larger premises in Gilbert Street were acquired where early development on Australia's first Two Post Hoist began. Hoist sales increased rapidly and the Molnar Two Post Hydraulic Hoist was patented in 1972.

As the hoist business grew Molnar Engineering Pty. Ltd. again acquired larger premises - this time at Brompton. Today Molnar Engineering's major products are Hydraulic Two Post and Four Post Hoists, Platform Lifts and Car Parking Hoists and relevant accessories. Molnar Engineering Pty. Ltd. products are exported to Asia, Europe, Africa, Middle East, Sub Continent and Pacific Regions.



## Molnar Engineering Pty. Ltd. A.B.N. 54 007 740 794

16 - 20 COGLIN STREET, BROMPTON, S.A. 5007 Telephone: (08) 8346 6893, (08) 8346 6894, (08) 8346 8006 Fax: (08) 8346 0097  
1 - 11 WOOD AVENUE, BROMPTON, S.A. 5007 Email: molnar@senet.com.au