

Quick guide to level a Jumbo NT

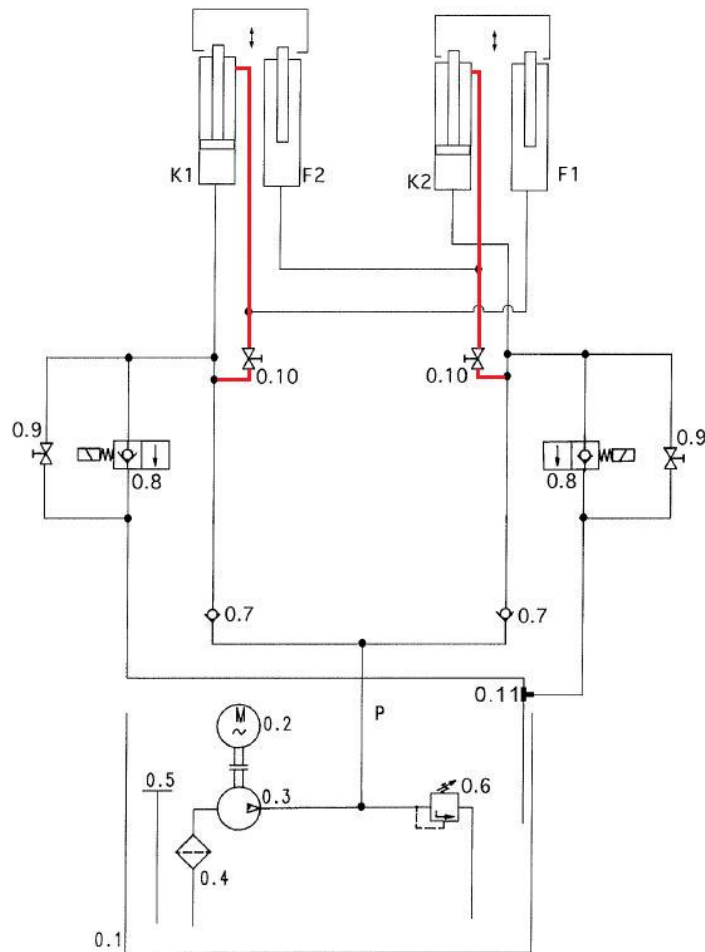
- Hex key size 3 und 6 (for remove cover and emergency lowering + leveling screws).
- 17th wrench (for Lock nut open and close)

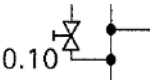



- Required tools.



Hydraulic diagram



- To release air in the Nussbaum NT system and to equalize the platforms, it is important to fill the complete hydraulic system with oil.
- The slave cylinder can be filled by opening the adjustment screws on the hydraulic block. This allows you to simultaneously fill the master and slave cylinder.
- The adjustment screws are  on the hydraulic diagram.
- This adjustment screws must be closed during normal operation.
- The "slave flow-line" is marked in red. 

Quick guide

- The lift must park in the lowest position, connected to the hydraulic system filled with approximately 14L oil.
- Open leveling screws A1 and A2 (max. 1 turn), and press the “lowering” button about 5 second.
- Lifting the platforms without load to the top-end position (the platform is unevenly high and is slightly oblique in the final position, the cylinder levers are not parallel).
- Open the emergency-drain screws N1 and N2 (the lift is lowering to the lowest position)
- Close the emergency-drain screws N1 and N2.

Leveling screws A1 and A2



Emergency-drain screws N1 and N2



Quick guide

- Lifting the platforms without load to the top-end position (the platform is unevenly high and is slightly oblique in the final position, the cylinder levers are not parallel).
- Press the “lowering” button, the platforms slightly lowering, release “lowering” button once the two cylinder levers are exactly parallel. When the cylinder lever are not parallel or the platforms are lowered too much, the equalization does not work.
- Close screws A1 and A2 again.
- Air is released and the lift is equalized.



Cylinder lever not synchronized.



Cylinder lever synchronized.