

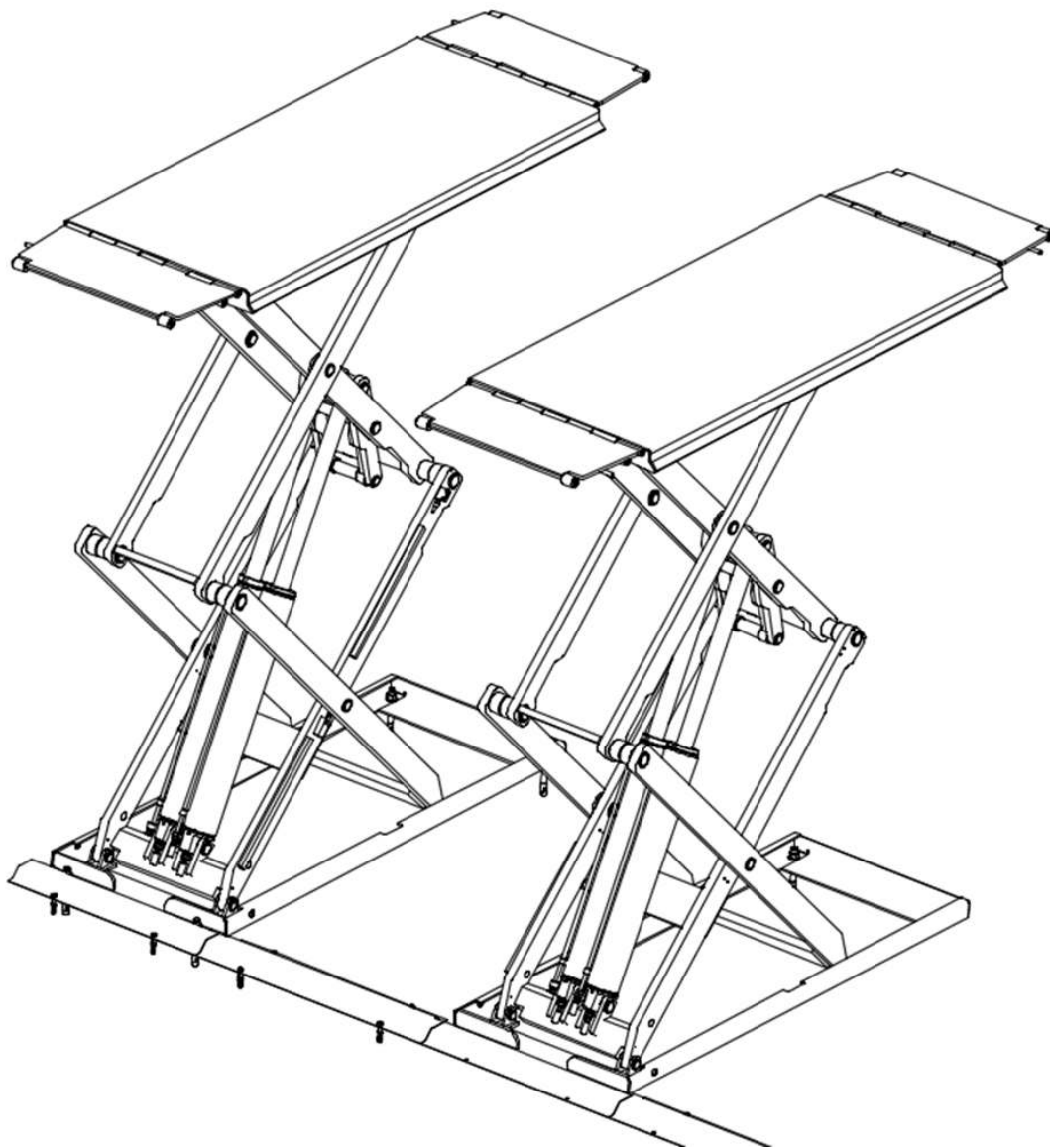


**MOLNAR**  
PART OF THE STENHØJ GROUP

## 3T. Scissor lift

Fitting of lighting set

(TRANSLATED VERSION)



*Always keep this document!*

*Must be read before using your equipment!*

1. Fit lighting modules on upper plates by means of pre-fitted adhesive pads.

Note ! Upper plates must be cleaned and dry before affixing. Pull cables from modules through holes in upper plates.

Assemble cable from module with 2-core cable supplied by means of straight-through joints – use pliers and after that a heating gun or similar. Note ! It is very important to keep the +/+ and -/- connection in all joints.

2. Fit cable trays on upper scissor arms

Lead cable down through cable protections on scissor arms as shown.

Fig. 1

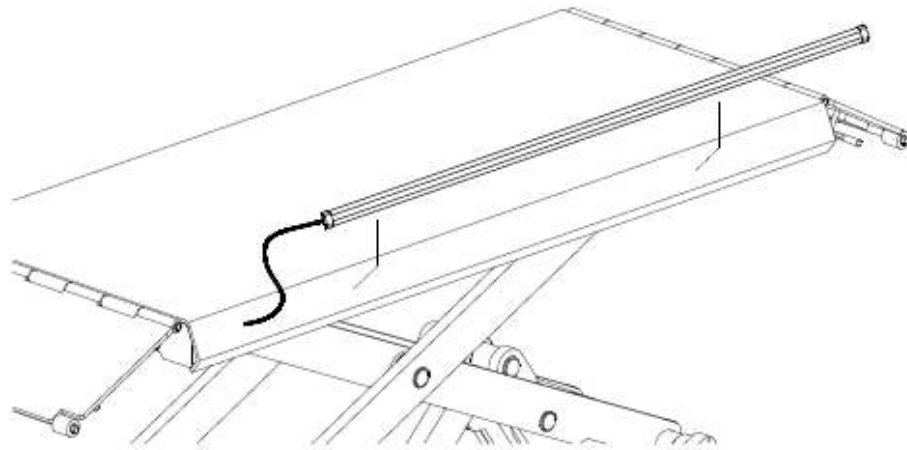
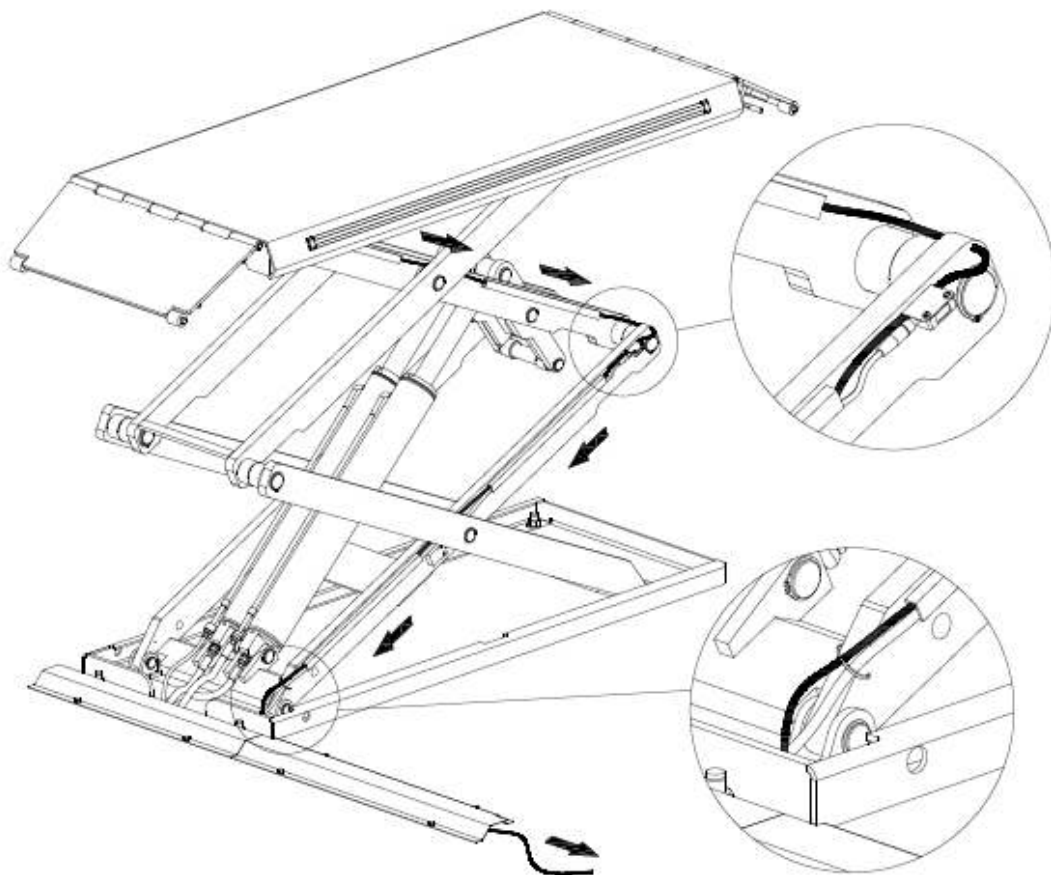


Fig. 2



3. Dismantle front cover for upright.

Fit transformer on back plate of upright as shown by means of M3x8 taptite screws.

4. Lead cables from lighting kit up along backside of upright.

Fit both cables on transformer by means crown socket as shown.

Connect 2-core cable from transformer to L1 and N (on secondary side of main switch) in control unit. If necessary prolong cable from transformer. Fit crown socket on blue and white cables if dimmer is not installed.

Re-fit front cover for upright.

Fig. 3

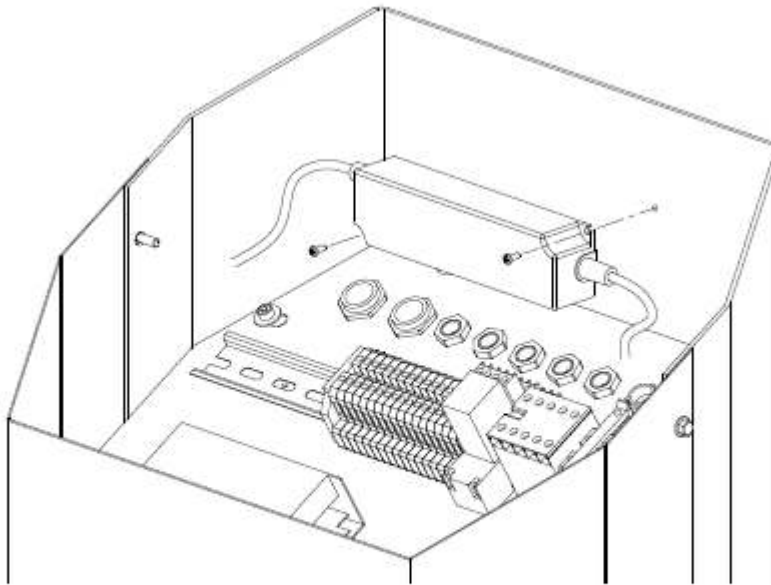


Fig. 4

