

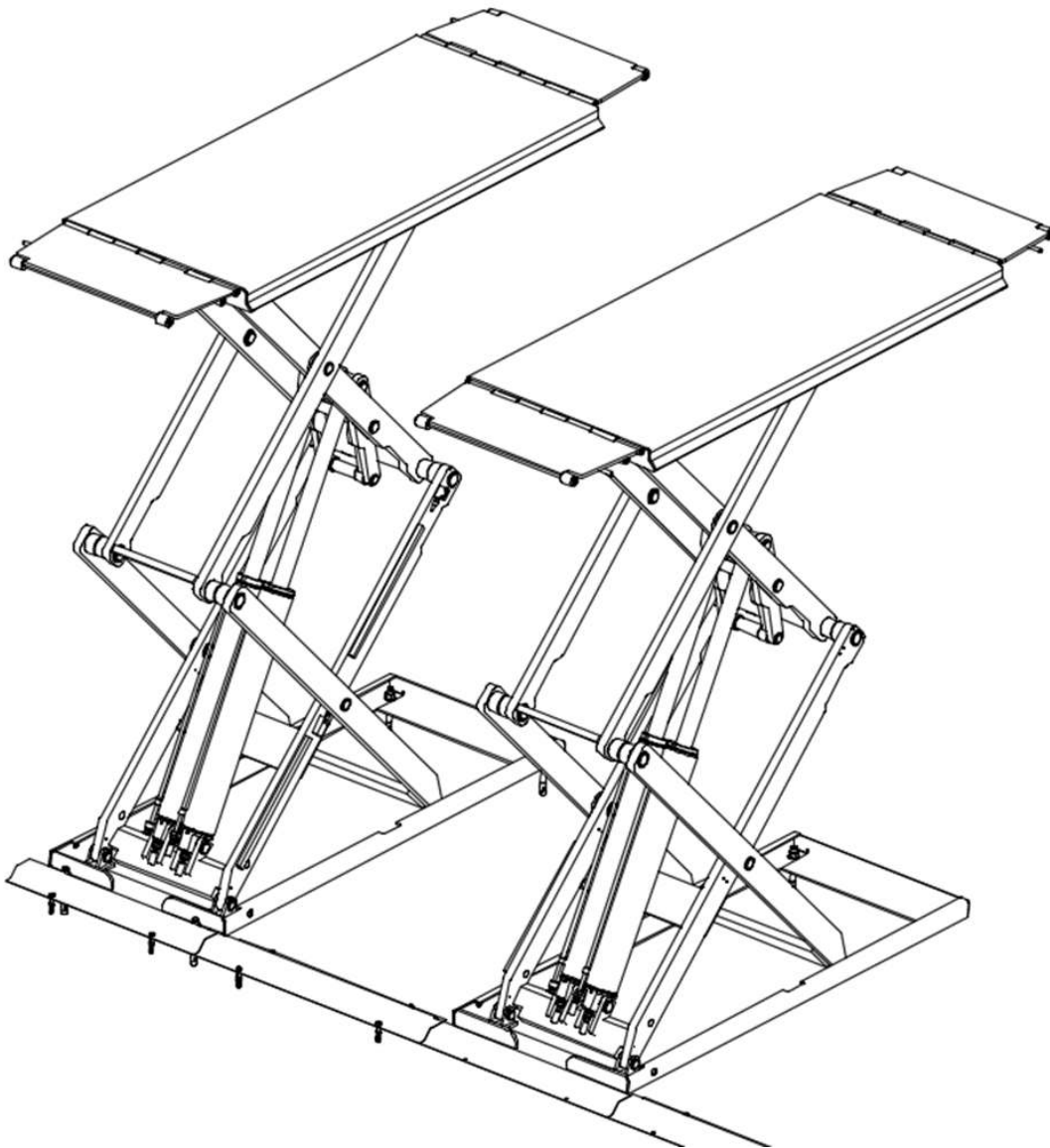


MOLNAR
PART OF THE STENHØJ GROUP

3T. Scissor lift

Spare part list

(UK VERSION)



Always keep this document!

Must be read before using your equipment!

Page 6

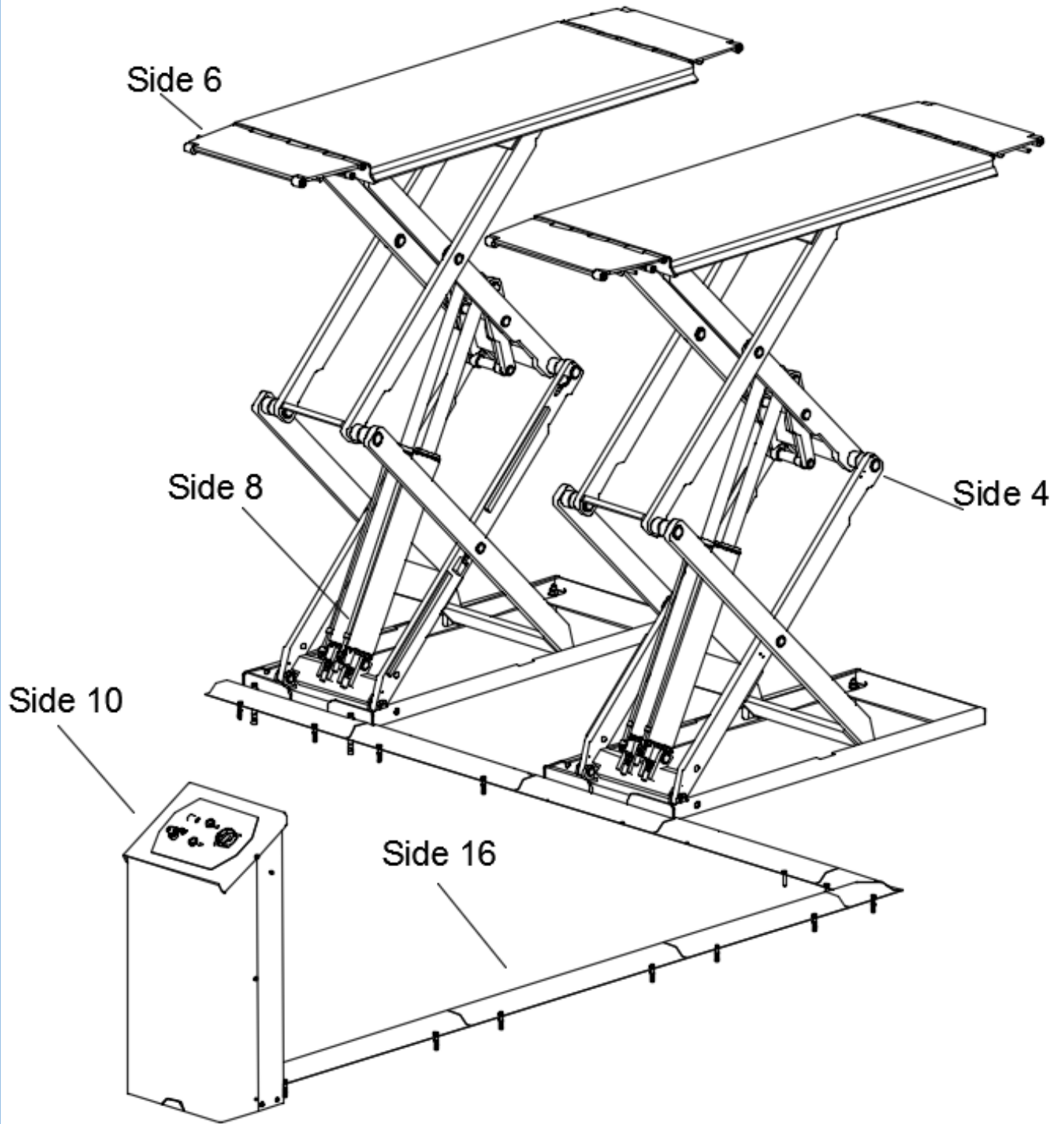
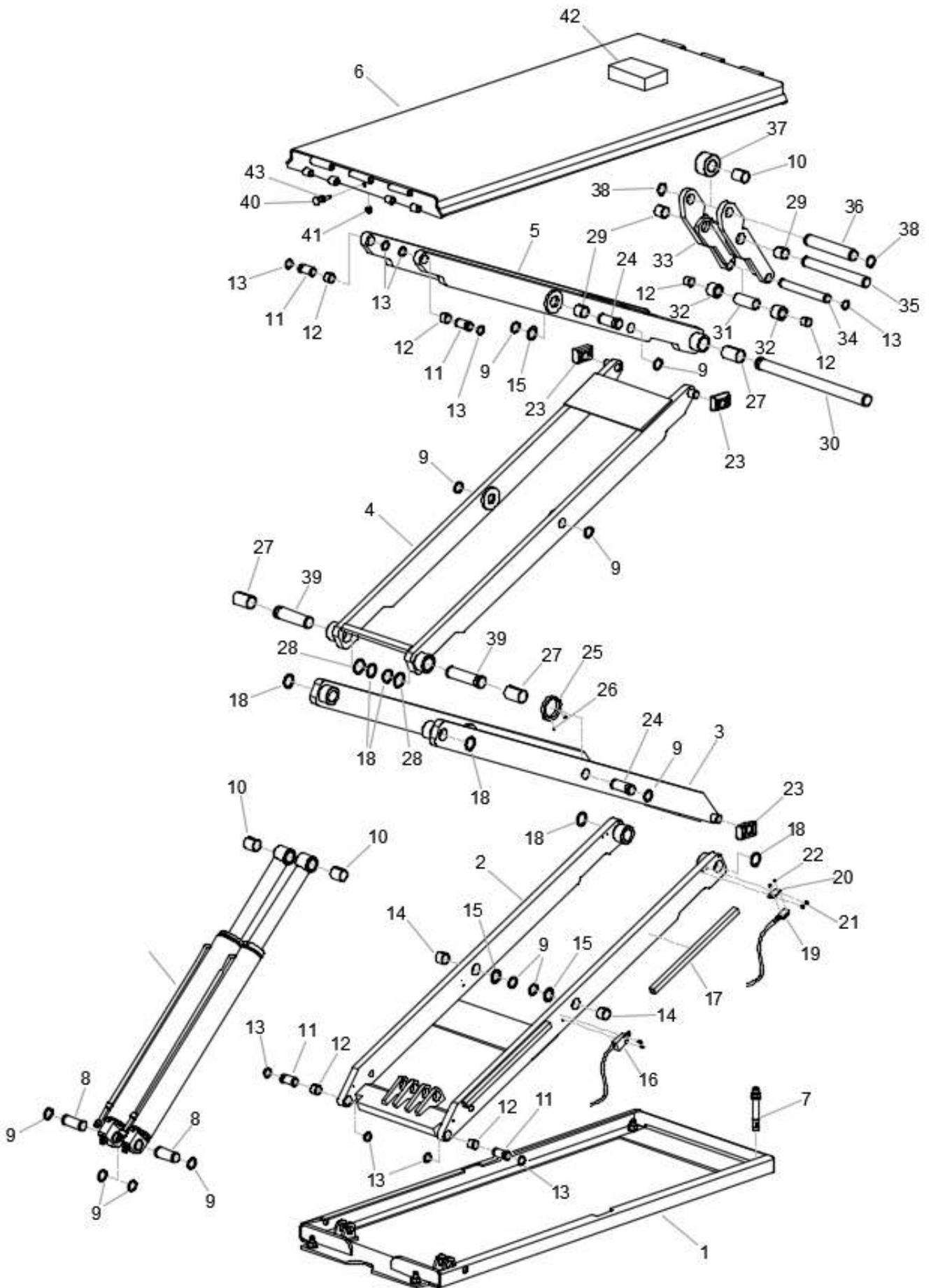
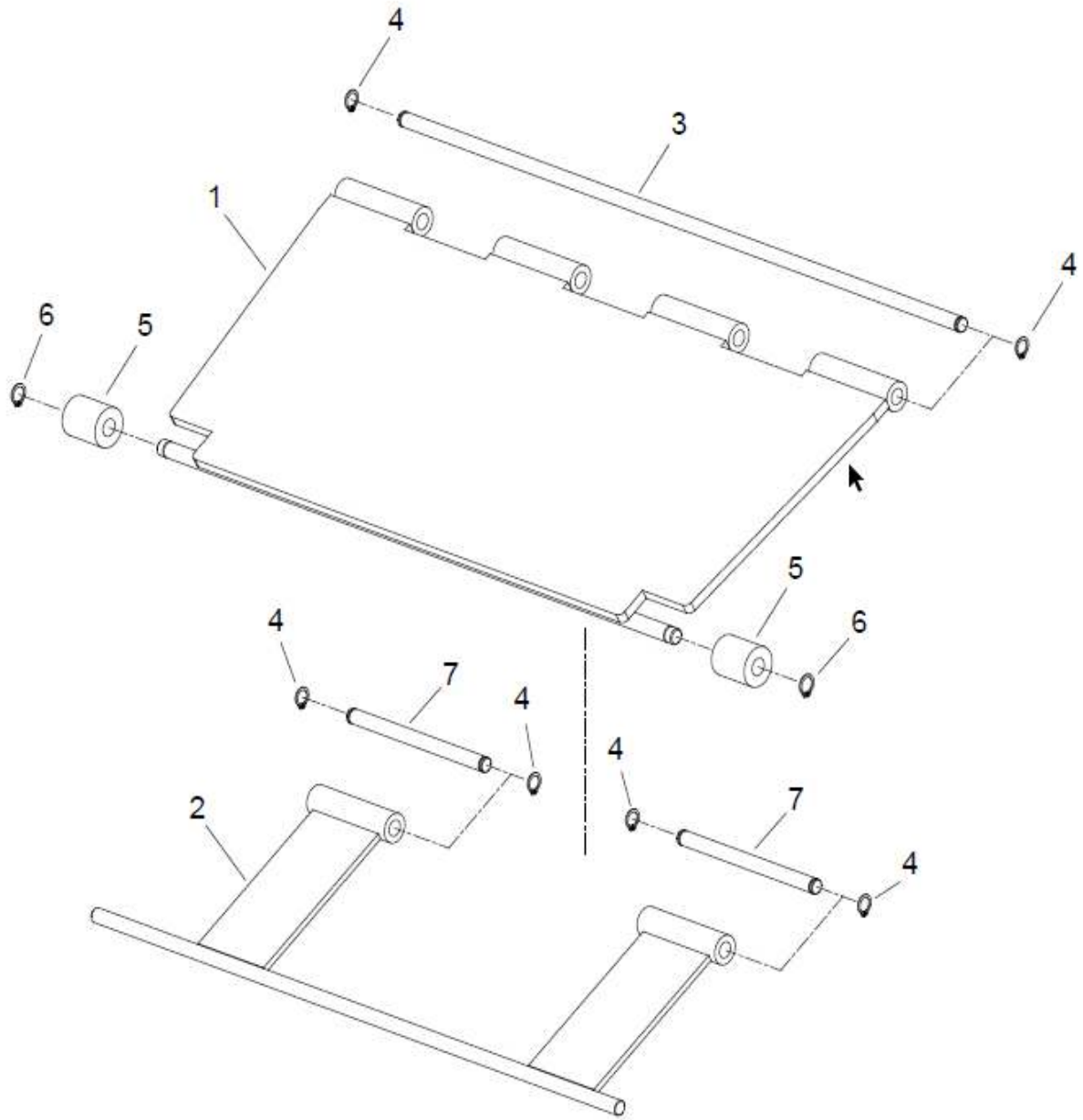


TABLE OF CONTENTS

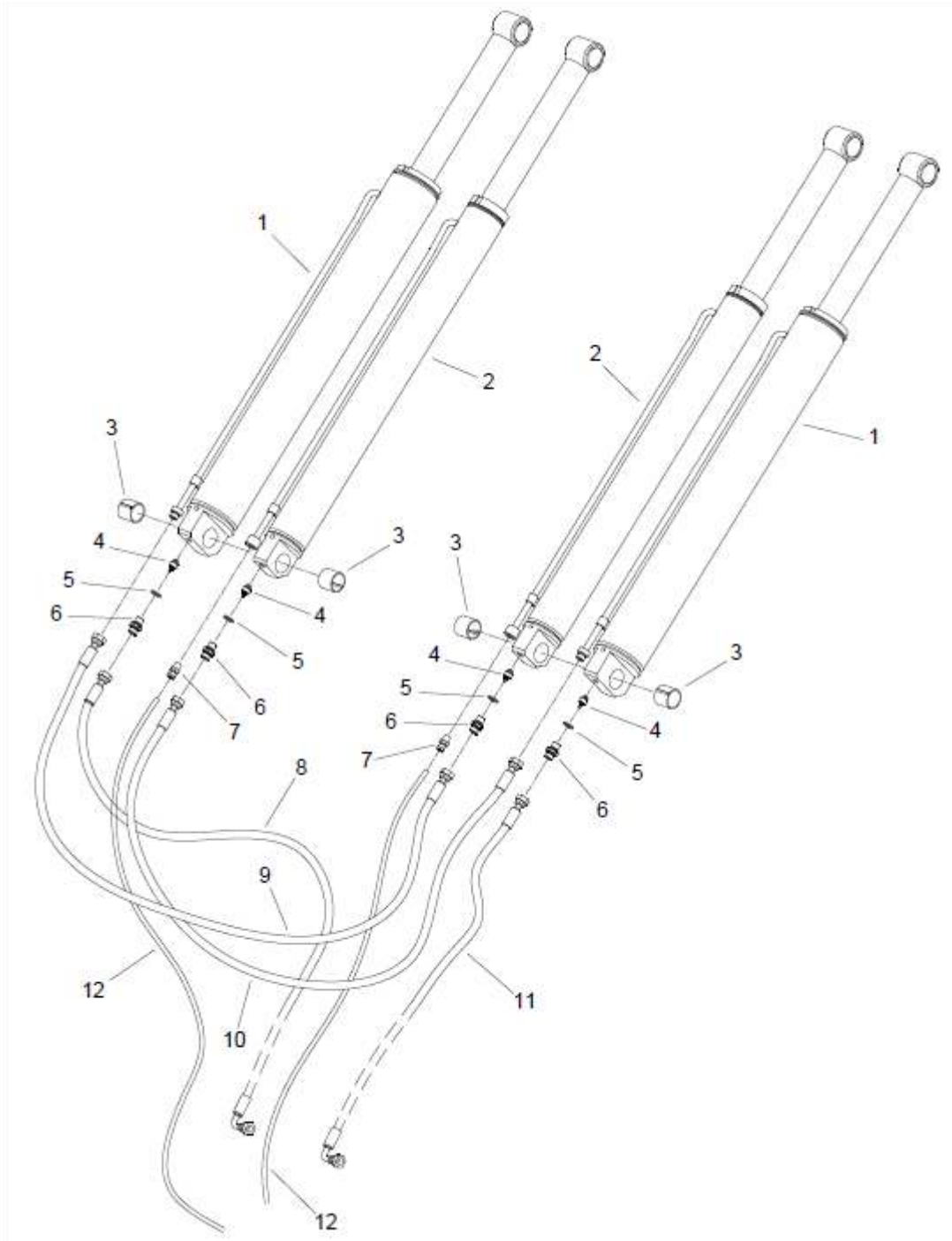
Scissor mebers.....	4
Drive-on ramps.....	6
Cylindres.....	8
Upright.....	10
Control unit.....	12
Pump unit.....	14
Cable covers.....	16



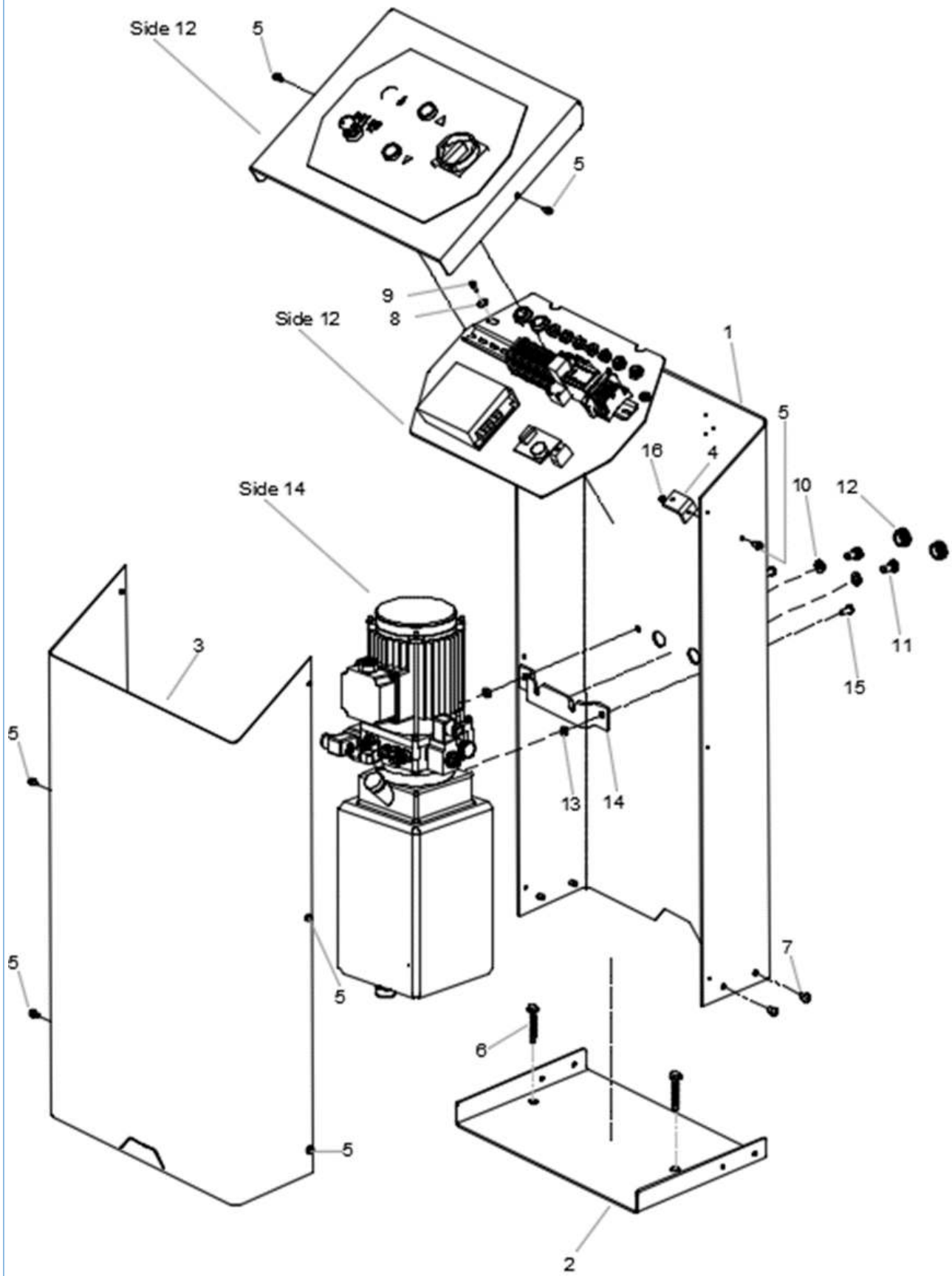
POS.	QTY.	NR.	DESIGNATION	SPECIFICATIONS
1	2	698620	Base frame	
2	2	698605	Arm	
3	2	698604	Arm	
4	2	698607	Arm	
5	2	698606	Arm	
6	2	698631	Upperplate	
7	8	259832	Ekspansion bolt	
8	4	398601	Axle	Ø30x76
9	28	211730	Retaining ring	U30
10	6	212474	Bearing buch	32x36x40
11	8	398600	Axle	Ø25x53
12	12	212472	Bearing buch	25x28x20
13	20	211725	washer	U25
14	4	212473	Bearing	30x34x25
15	8	214648	washer	
16	2	271462	Top/bottom limit swich	
17	4	271382	Cable channel	
18	12	211786	Retaining ring	U36
19	1	271360	Set fo photocells	
20	2	271361	Bracket	
21	4	253519	Screw	M4x6
22	4	253464	screw	M3x5
23	8	398636	Slide block	
24	8	398602	Axle	Ø30x76
25	2	398639	Cam	
26	4	255545	Pointed screw	M5x6
27	8	212471	Bearing	36x40x60
28	4	214662	Washer	
29	8	212470	Bearing	30x34x30
30	2	398605	Axle	Ø36x468
31	2	398609	Distance pipe	
32	4	398608	Roller	
33	2	698608	Lever	
34	2	398604	Axle	Ø25x198
35	2	398606	Axle	Ø30x266
36	2	398607	Axle	Ø32x198
37	2	398610	Roller	
38	4	211732	Retaining ring	U32
39	4	398603	Axle	Ø36x135
40	4	340501	Carriage bolt	M10x40
41	4	240328	Nut	M10
42	1	271380	Set of rubber pads (4pcs.)	40x120x160
43	4	240328	Nut	M10



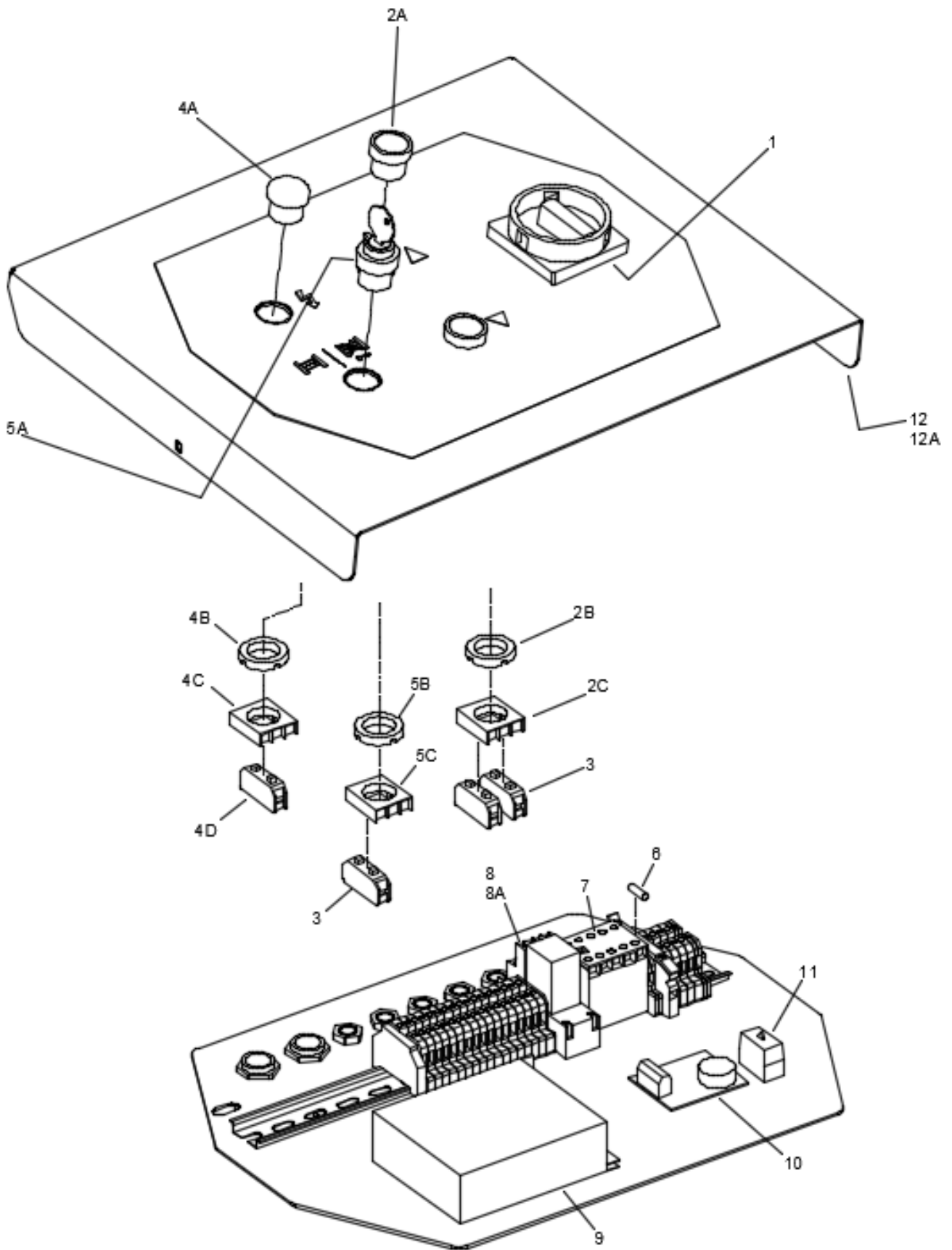
POS.	QTY.	NR.	DESIGNATION	SPECIFICATIONS
1	4	698617	Drive-on ramp	
-	4	698616	Drive-on ramp - galvanized	
2	4	698619	Lock	
3	4	398634	Axle	
4	24	211716	Retaining ring	U11
5	8	474268	Roller	
6	8	211709	Retaining ring	U12
-	8	211784	Circlip (only for galvanized version)	12mm
7	8	398635	Axle	



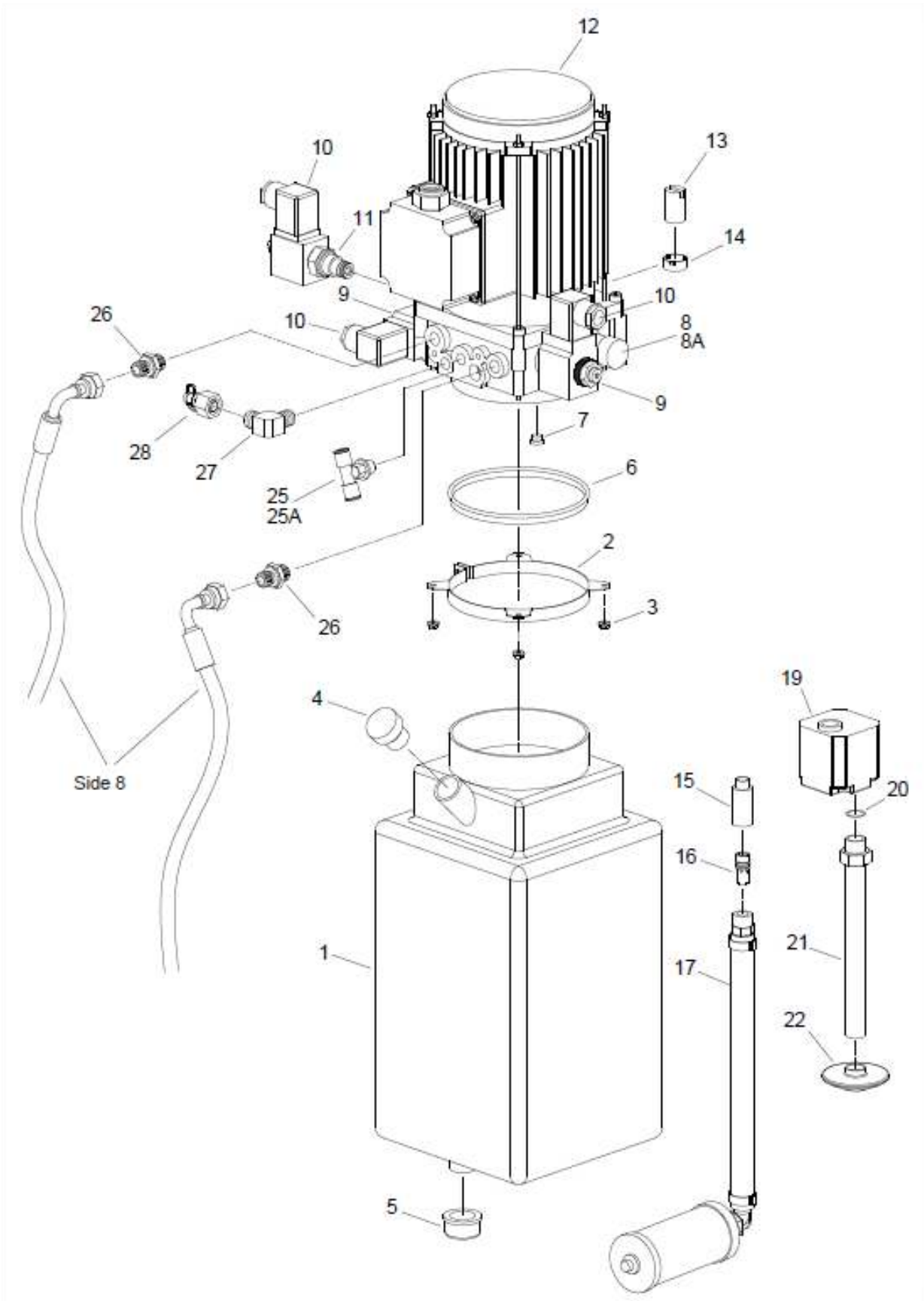
POS.	QTY.	NR.	DESIGNATION	SPECIFICATIONS
1	2	794388	Master cylinder	
2	2	794389	Slave cylinder	
3	4	271394	Bearing buch	30x34x30
4	4	271395	Hose breakvalve	
5	4	271396	Cobber ring	
6	4	271389	Fitting	M14x1,5
7	2	214760	Union	
8	1	271390	Hydraulik hose - red	6300mm
9	1	271391	Hydraulik hose - yellow	1800mm
10	1	271392	Hydraulik hose - blue	1850mm
11	1	271393	Hydraulik hose red	5100mm
12	12m	213790	Nylon hose	Ø8
		792448	Seal kit master cylinder	
		792449	Seal kit slave cylinder	



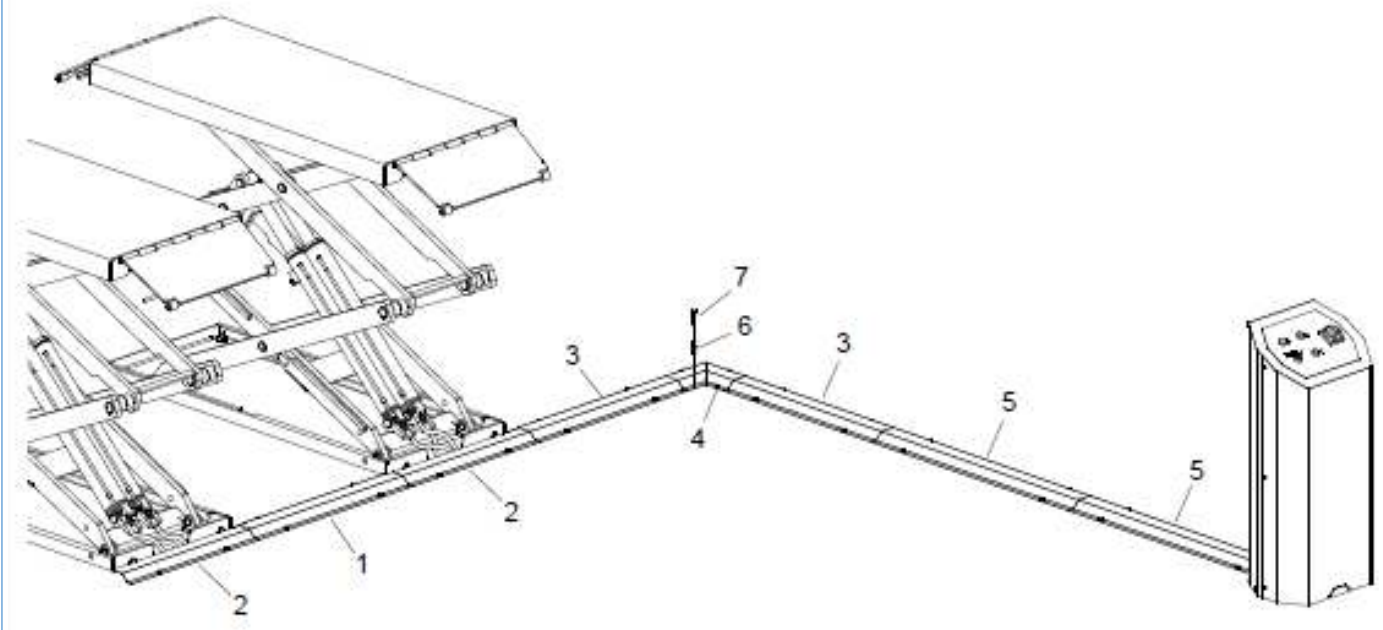
POS.	QTY.	NR.	DESIGNATION	SPECIFICATIONS
1	1	778421	Upright cpl.	50 Hz
1	1	398661	Rear plate	
2	1	398665	Bottom plate	
3	1	398662	Front plate	
4	2	398667	Vinkel beslag	
5	8	259612	Taptite	M5x10
6	2	259822	Expansions bolt	
7	4	259520	Screw	M8x12
8	2	214620	Washer	
9	2	252797	Screw	M5x12
10	2	214610	Washer	
11	2	252161	Screw	M10x20
12	2	213343	Plug	
13	2	240306	Nut	M5
14	1	398664	Bracket for pumpe	
15	2	252935	Bolt for bracket(Pumpe)	M8x16
16	2	240306	Nut	M5



POS.	QTY.	NR.	DESIGNATION	SPECIFICATIONS
	794402	Control unit cpl.		230-400/3/50-60 (24V)
1	1	265505	Main switch	
2A-B	2	265488	Puch button	
2C	2	265371	Base	
3	3	265423	Contact element	1NO
4A-B	1	265368	Lamp head	
4C-D	1	265369	Lamp body	
5A-B	1	265370	Key handle	
5C	1	265371	Base	
6	1	265164	Fuse	5At
7	1	265372	Contactora	
8	1	265373	Auxiliary relay	
8A	1	265260	Base for Auxiliary relay	
9	1	265492	Power supply	
10	1	265428	Circuit board	
11	1	265375	By-passing button	1NO
12	1		Cover with transfer	



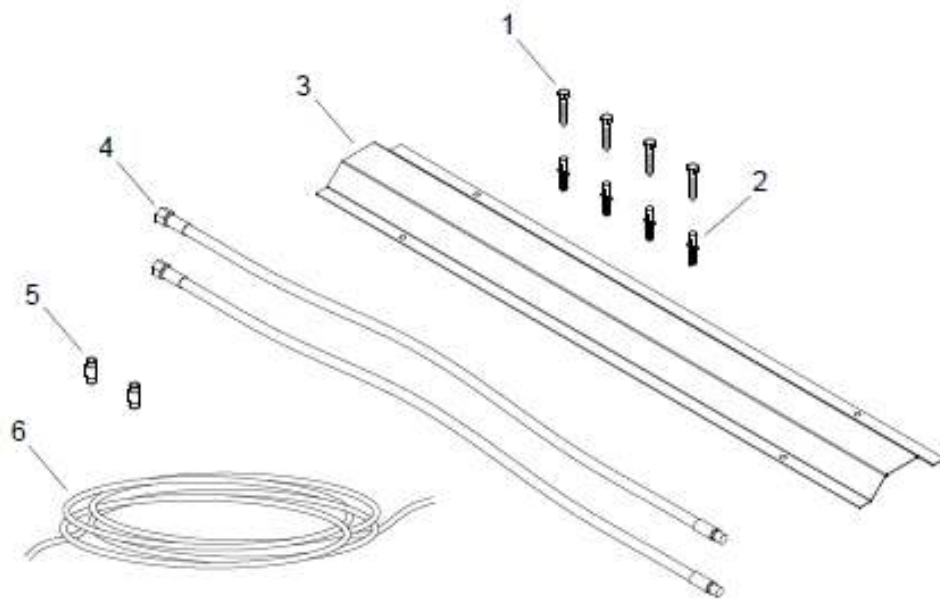
POS.	QTY.	NR.	DESIGNATION	SPECIFICATIONS
		794392	Pump unit cpl. (pos. 1-22)	50 Hz
		794347	Pump unit cpl. (pos. 1-22)	60 Hz
1	1	271372	Oil tank	9L
2	1		Clamp	
3	4		Nut	M6
4	1	271384	Plug	
5	1	271385	Plug	
6	1	271371	Gasket	
7	1		Plug	
8	1	271367	Overflow control valve	
8A	1	212686	Plug for overflow control valve	
9	2	271369	Electromagnetic valve for coil	
10	3	271366	Plug	
11	1	271370	Lowering valve with coil	
12	1	271363	E-motor	50 Hz
-	1	271377	E-motor	60 Hz
13	1	271364	Coupling	
14	1	271365	Guide for coupling	
15	1		Fitting	
16	1	271376	Flow restricting valve	7.5 l/min
17	1	792452	Oil return filter cpl.	
19	1	271373	Pump	50 Hz
-	1	271378	Pump	60 Hz
20	1	271374	O-ring	
21	1		pipe	
22	1	271434	Filter	
25	1	214763	Quick cupling	
25A	12m	213385	Nylon hose	Ø8
26	2	223405	union	
27	1	223666	Elbow connection socket	
28	1	214747	Quick coupling for pressure gauge	



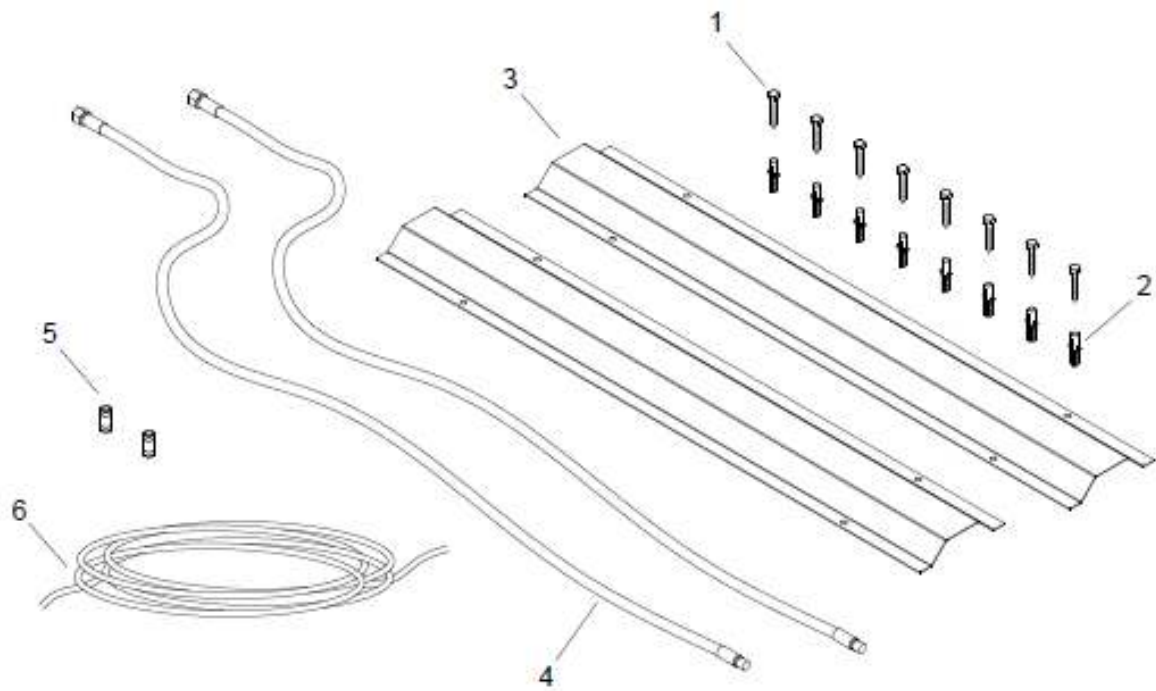
POS.	QTY.	NR.	DESIGNATION	SPECIFICATIONS
		778401	Kabelafdækningssæt	S-versioner
1	1	395744	Cover	L=780mm
2	2	395924	Cover	L=635mm
3	2	395925	Cover	L=750mm
4	1	694142	Cover	
5	2	395921	Cover	L=1000mm
6	28	249948	Fischer dowel pin	
7	28	259953	Screw	8x50

EKSTRAUDSTYR

A



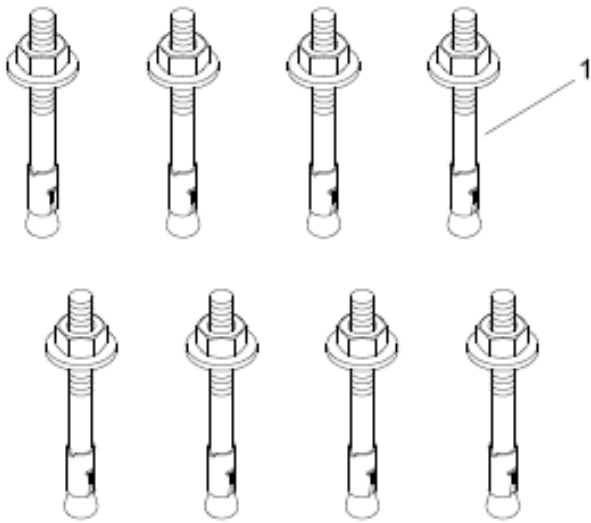
B



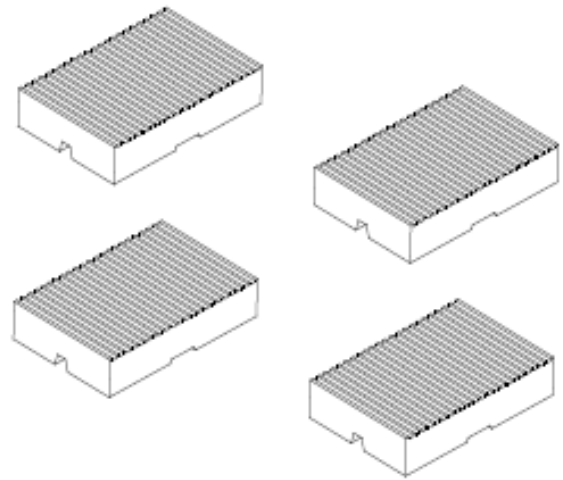
POS.	QTY.	NR.	DESIGNATION	SPECIFIKATIONER
		794322	Hose extension kit 1m (A)	
1	4	259953	Screw	8x50
2	4	249948	Fischer dowel pin	
3	1	395921	Cover	L=1000mm
4	2	395745	Hydraulic hose	L=1035mm
5	2	214683	Hose coupling	
6		213385	Nylon hose	2m
		794323	Hose extension kit 2m (B)	
1	8	259953	Screw	8x50
2	8	249948	Fischer dowel pin	
3	2	395921	Cover	L=1000mm
4	2	395746	Hydraulic hose	L=2035mm
5	2	214683	Hose coupling	
6		213385	Nylon hose	4m

EKSTRAUDSTYR

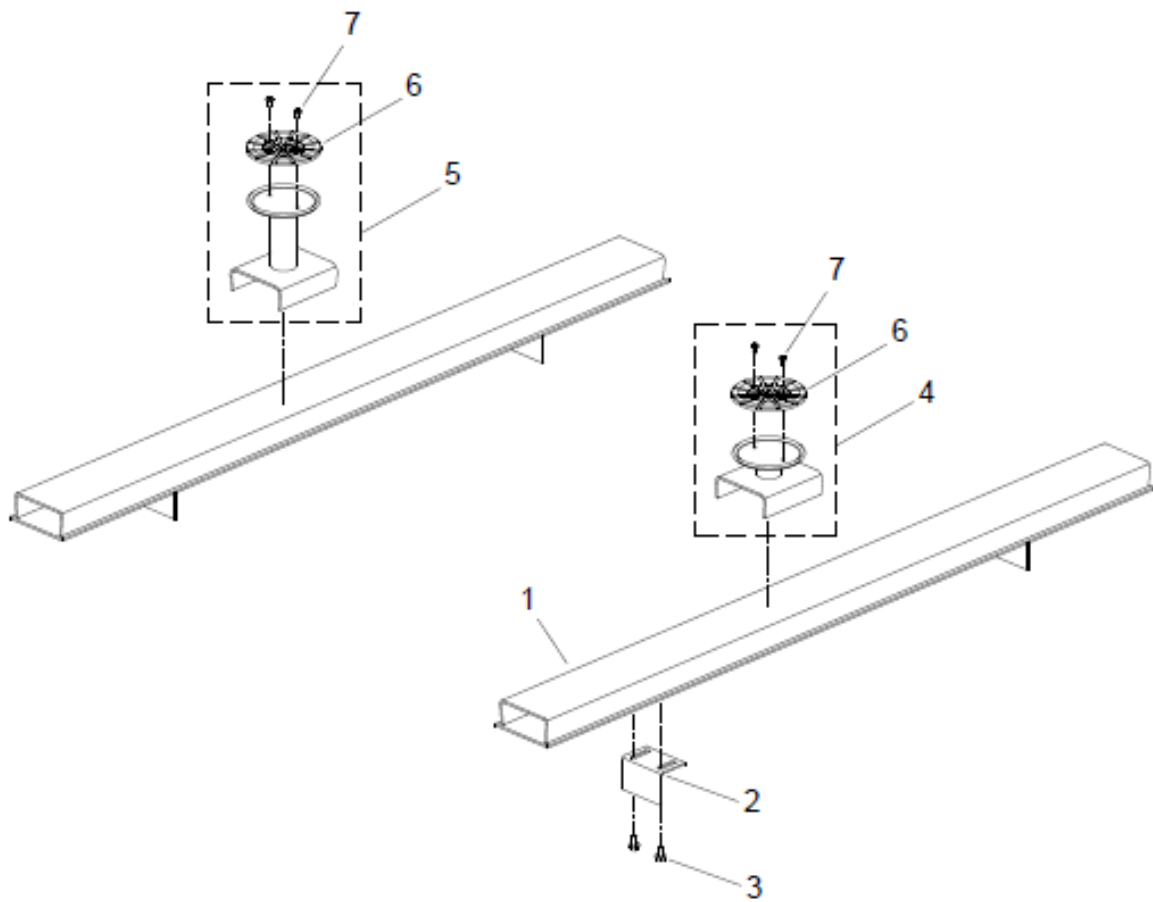
C



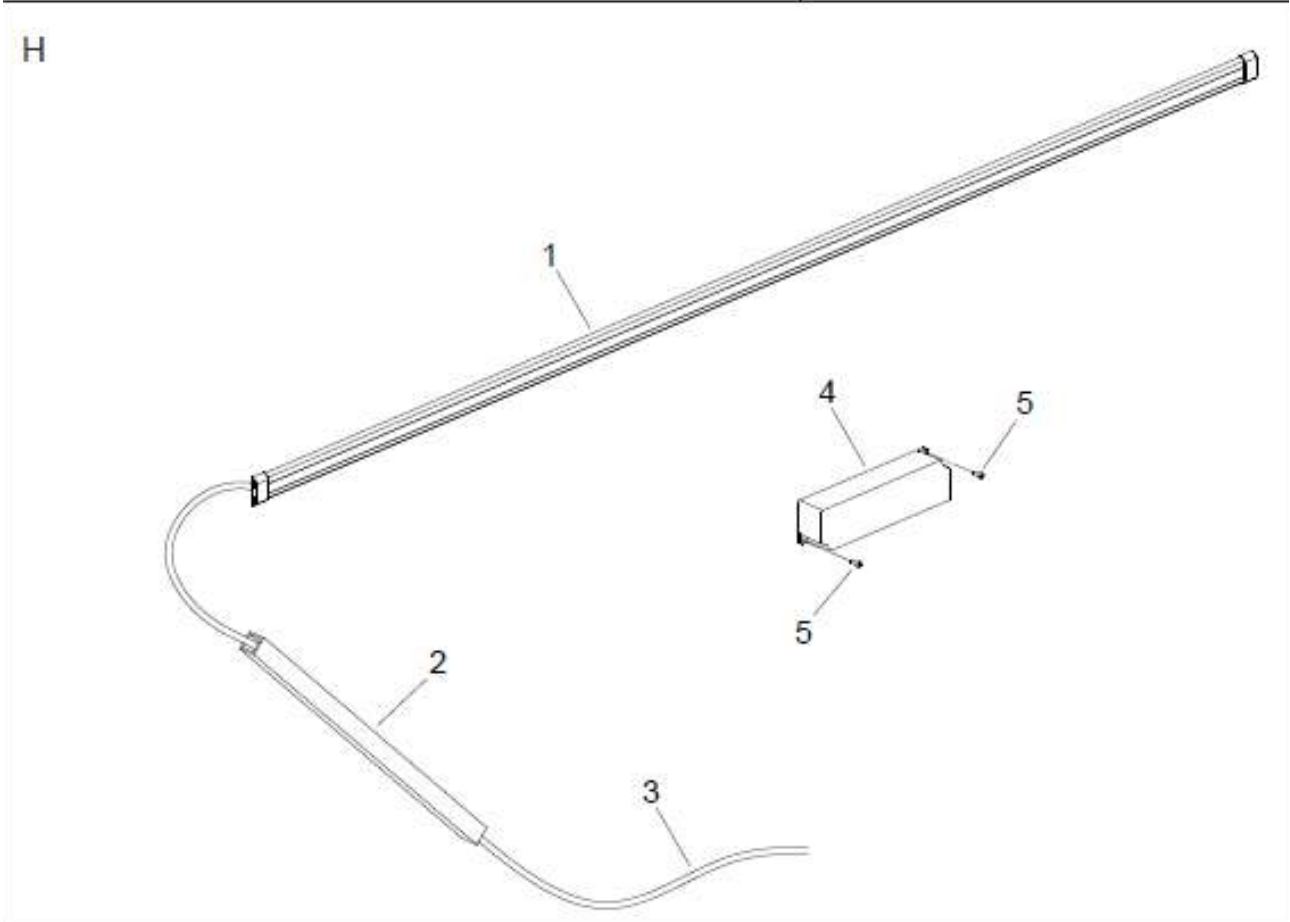
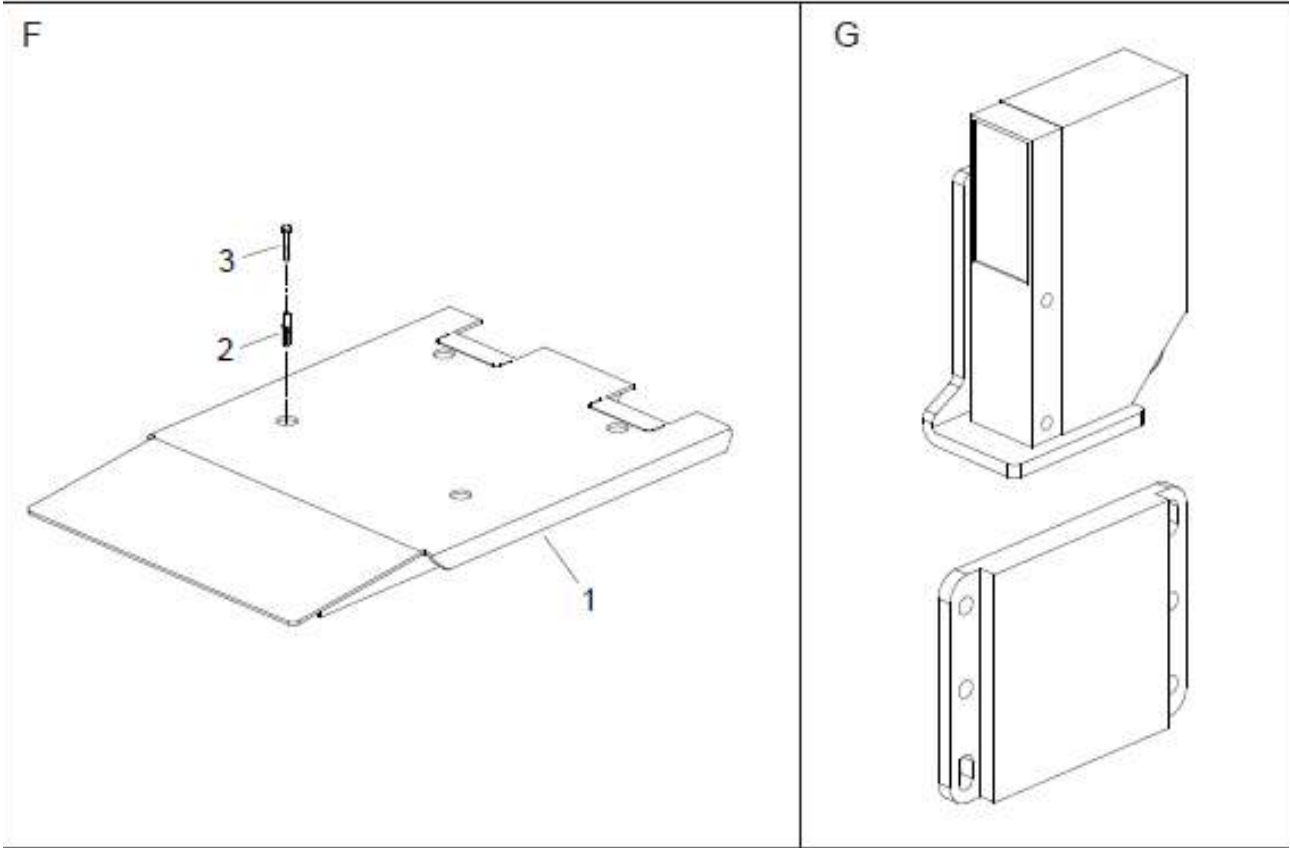
D



E



POS.	QTY.	NR.	DESIGNATION	SPECIFICATIONS
		794346	Ekspansions bolte (C)	
1	8	259832	Ekspansionsbolt	M16x137
		271380	Set of rubber pads- 4 pcs.(D)	40mm (black)
		A11102	Set of rubber pads- 4 pcs.(D)	40mm (yellow)
		A11001	Set of rubber pads- 4 pcs.(D)	60mm
		794036	Set of rubber pads- 4 pcs.(D)	70mm
		A11000	Set of rubber pads- 4 pcs.(D)	80mm
		A11004	Set of rubber pads- 4 pcs.(D)	100mm
		794037	Traverssæt (E)	
1	2	694039	Traverse	
2	4	394164	Bracket	
3	8	259620	Taptite	M8x16
4	4	794048	Pad cpl.	58mm
5	4	794049	Pad cpl.	138mm
6	8	664202	Supporting pad	
7	16	259644	Taptite	M6x12



POS.	QTY.	NR.	DESIGNATION	SPECIFICATIONS
		794268	Sæt of extra drive-on ramps (F)	
1	4	694332	Drive-on ramp	
2	16	249948	Fischer dowel pin	
3	16	259953	Screw	8X50
1		A59266	Celling switch with infrared sencor (G)	
		758952	LED lighting kit (H)	Only S-version
1	2	755669	LED-module	
2	4	271382	Cabel channel	
3	15m	263488	2-core cable	
4	1	755678	Transformer	
5	2	259645	Taptite	M3x8